

# Technical data sheet

## Vario quick connector A4

Item number: 5311405



- For T, intersection and parallel connections
- Quick mounting using an M10 x 35 bolt, made from V4A
- Meets the requirements of VDE 0185-305 (IEC 62305)



**A4** Stainless steel

### Master data

Item number	5311405
Type	249 S7 V4A
Description 1	Quick connector round/round
Manufacturer	OBO
Dimension	40x40mm
Material	Stainless steel 1.4401
Smallest sales unit	5000
Unit of quantity	Piece
Weight	9.5 kg
Weight unit	kg/100 pc.
CO2 Footprint (GWP) Cradle-to-Gate	0,6708 kg CO2e / 1 Piece

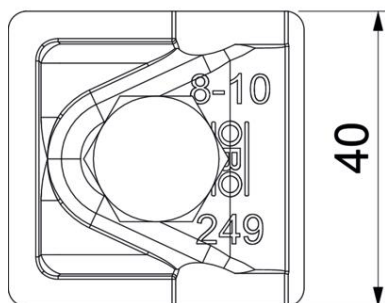
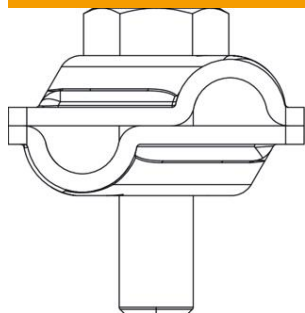
# Technical data sheet

## Vario quick connector A4

Item number: 5311405



### Dimensions



### Technical data

Type of fastening screw	Hexagonal bolt
Type of connector	Multipurpose connection clamp
Lightning current carrying capacity	H/100 kA
Suitable for connection	Round conductor Rd 8–10 / Rd 8–10
Fit	Rd 8-10 mm
Round conductor diameter, conductor 1, max.	10 mm
Round conductor diameter, conductor 1, min.	8 mm
Round conductor diameter, conductor 2, max.	10 mm
Round conductor diameter, conductor 2, min.	8 mm
Intermediate plate	no