

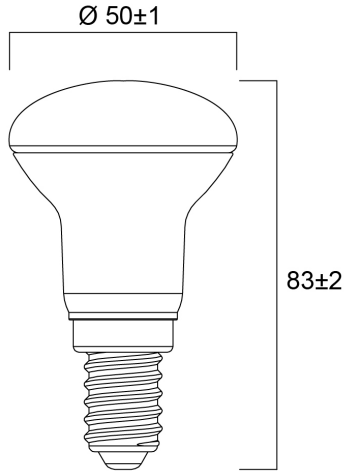
### Features

- Energy efficient LED alternative for traditional incandescent and halogen blown reflector lamp
- Modern construction and attractive design
- Mercury free solution
- Long average rated lifetime: 15,000 hours
- Lower maintenance cost compared to traditional lamps
- Non-dimmable
- 3 years warranty
- Perfect for general lighting applications: residential lighting, down lights, hotels, hotels, restaurants, bars, lobbies, corridors, halls, etc

### Product Overview

Product name	RefLED R50 V4 470LM 830 E14 SL
Technology	LED
Watt (Rated) (W)	4.9
Cap/Base	E14
Fixture rating	Open
E-number FI	4741085
Colour temperature (K)	3000
CRI (Ra)	80
Colour Consistency (SDCM)	6
Colour Variation Initial (SDCM)	6
Photobiological Risk Group	RG1
Wattage (W)	4.9
Product EAN number	5410288292052
Warranty	3 years

## Technical drawings



## Data table

### GENERAL DATA

Product name	RefLED R50 V4 470LM 830 E14 SL
Technology	LED
Watt (Rated) (W)	4.9
Cap/Base	E14
Fixture rating	Open
Operating temperature range (°C)	-20°C...+40°C
Performance ambient temperature Tq (°C)	25
E-number FI	4741085
Warranty	3 years

### OPTICAL DATA

Colour temperature (K)	3000
------------------------	------

## RefLED R50 V4 470LM 830 E14 SL 0029205

CRI (Ra)	80
Colour Consistency (SDCM)	6
Colour Variation Initial (SDCM)	6
Photobiological Risk Group	RG1
Lumen maintenance at end of nominal life (%)	70

### ELECTRICAL DATA

Wattage (W)	4.9
Equivalent watt (W)	40
Primary Supply/Product voltage - min (V)	220
Control gear required	No
Inrush Current (A)	1.5
Inrush Duration ( $\mu$ s)	240
Lamp Energy Label (class)	F
Nominal Frequency (Hz)	50/60Hz

### LIFETIME DATA

Lifespan L70 B50	15000
Average life (Rated) (h)	15000

### PHYSICAL DATA

Nominal Product Length (mm)	82.5
Nominal Product Diameter (mm)	50
Weight (kg)	0.026

### PACKAGING

Single packaging type	Carton
Product EAN number	5410288292052
Packaging single width (cm)	5.0
Packaging single depth (cm)	8.3
DUN14 (outer)	15410288292059
Packaging outer length / height (cm)	15.8

# SYLVANIA

RefLED R50 V4 470LM 830 E14 SL  
0029205

## SAFETY DATA

Optimal operating condition (°C)	-20-40
Breakage cleaning instructions	Not applicable
Special purpose lamp	No
Dry applications use only	No
Suitable for household illumination	No
Safety message	Not Suitable for totally enclosed fixtures

## Energy label

 **ENERG** ⚡  
**SYLVANIA**  
0029205

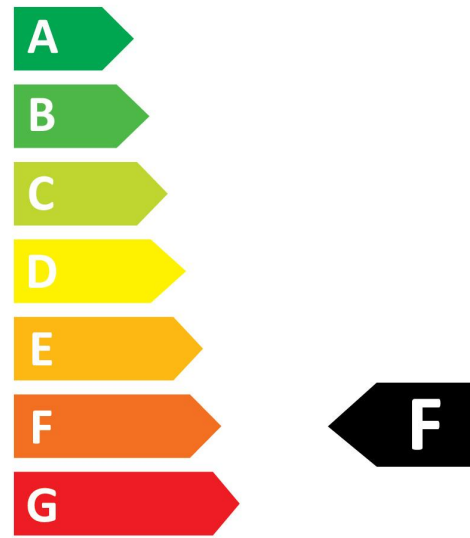


**5**  
kWh/1000h



2019/2015

 **ENERG** ⚡  
**SYLVANIA**  
0029205



**5**  
kWh/1000h



2019/2015

Light your world