

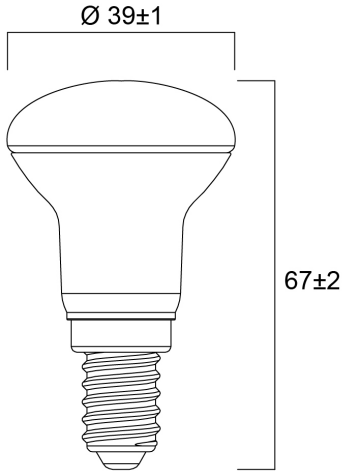
Features

- Energy efficient LED alternative for traditional incandescent and halogen blown reflector lamp
- Modern construction and attractive design
- Mercury free solution
- Long average rated lifetime: 15,000 hours
- Lower maintenance cost compared to traditional lamps
- Non-dimmable
- 3 years warranty
- Perfect for general lighting applications: residential lighting, down lights, hotels, hotels, restaurants, bars, lobbies, corridors, halls, etc

Product Overview

Product name	RefLED R39 V4 250LM 865 E14 SL
Technology	LED
Watt (Rated) (W)	2.9
Cap/Base	E14
Fixture rating	Open
Colour temperature (K)	6500
CRI (Ra)	80
Colour Consistency (SDCM)	6
Colour Variation Initial (SDCM)	6
Photobiological Risk Group	RG1
Wattage (W)	2.9
Product EAN number	5410288292045
Warranty	3 years

Technical drawings



Data table

GENERAL DATA

Product name	RefLED R39 V4 250LM 865 E14 SL
Technology	LED
Watt (Rated) (W)	2.9
Cap/Base	E14
Fixture rating	Open
Operating temperature range (°C)	-20°C...+40°C
Performance ambient temperature Tq (°C)	25
Warranty	3 years

OPTICAL DATA

Colour temperature (K)	6500
CRI (Ra)	80

RefLED R39 V4 250LM 865 E14 SL 0029204

Colour Consistency (SDCM)	6
Colour Variation Initial (SDCM)	6
Photobiological Risk Group	RG1
Lumen maintenance at end of nominal life (%)	70

ELECTRICAL DATA

Wattage (W)	2.9
Equivalent watt (W)	25
Primary Supply/Product voltage - min (V)	220
Control gear required	No
Inrush Current (A)	1.2
Inrush Duration (µs)	150
Lamp Energy Label (class)	F
Nominal Frequency (Hz)	50/60Hz

LIFETIME DATA

Lifespan L70 B50	15000
Average life (Rated) (h)	15000

PHYSICAL DATA

Nominal Product Length (mm)	67
Nominal Product Diameter (mm)	39
Weight (kg)	0.055

PACKAGING

Single packaging type	Carton
Product EAN number	5410288292045
Packaging single width (cm)	5.0
Packaging single depth (cm)	5.0
DUN14 (outer)	15410288292042
Packaging outer length / height (cm)	15.8

SYLVANIA

RefLED R39 V4 250LM 865 E14 SL
0029204

SAFETY DATA

Optimal operating condition (°C)	-20-40
Breakage cleaning instructions	Not applicable
Special purpose lamp	No
Dry applications use only	No
Suitable for household illumination	No
Safety message	Not Suitable for totally enclosed fixtures

Energy label

 **ENERG** 
SYLVANIA
0029204



3
kWh/1000h



2019/2015

 **ENERG** 
SYLVANIA
0029204



3
kWh/1000h



2019/2015

Light your world