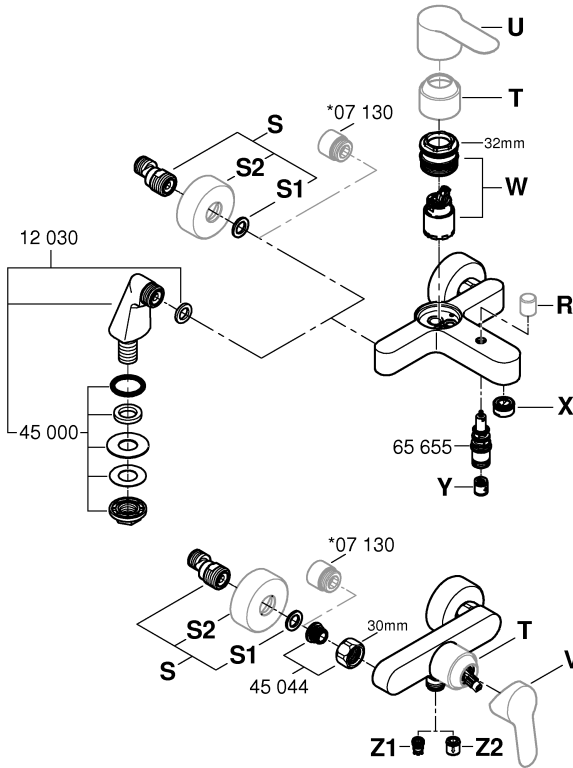




<b>U</b>	48 550	48 567	48 565	46 898	48 629	106 286	---		
<b>V</b>	48 542	48 568	48 566	46 898	48 629	106 286	---		
<b>T</b>	---	---	---	46 899		---			

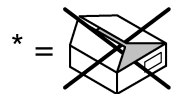


<b>W</b>	46 374	46 589

<b>R</b>	64 309	65 648

		<b>UAE</b>	<b>KSA</b>	<b>CN</b>
<b>X</b>	13 941 (30 l/min)	13 960 (9 l/min)		
<b>Y</b>	13 952 (38 l/min)			
<b>Z1</b>	08 565	49 086		
<b>Z2</b>	42 601	49 164		
	48 276	49 086		

<b>S</b>	12 075	12 662
<b>S1</b>	01 386	---
<b>S2</b>	02 210	---



<b>*07 130</b> 			<b>*12 064</b>	<b>G<sup>1/2</sup></b>	<b>*19 332</b> 	<b>32mm</b> 
<b>*19 377</b> 	<b>30mm</b> 		<b>*12 065</b>	<b>G<sup>3/4</sup></b>		



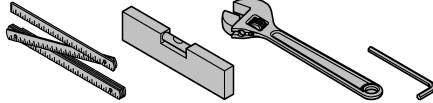
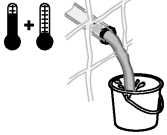
DIN EN 806  
DIN EN 1717  
DIN 1988



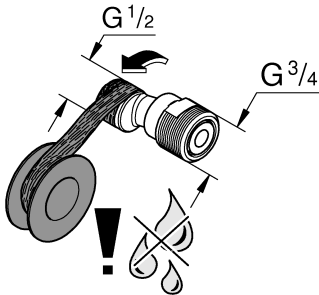
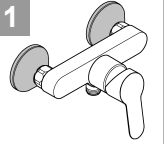
bar  
max. 10  
5 1

°C

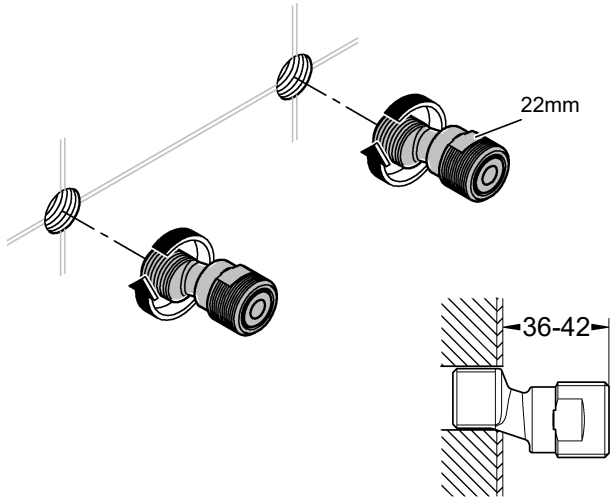
max. 70°  
60°



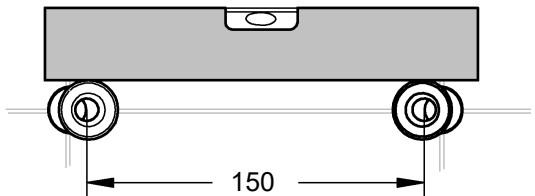
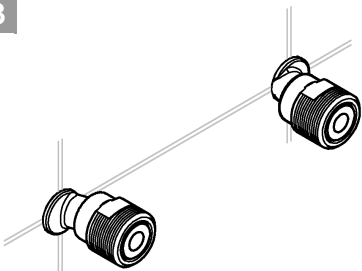
\*19 332  
32mm  
\*19 377  
30mm



2

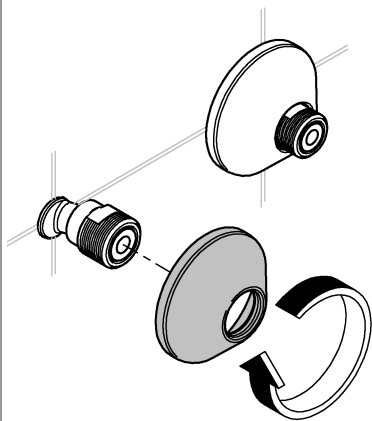


3

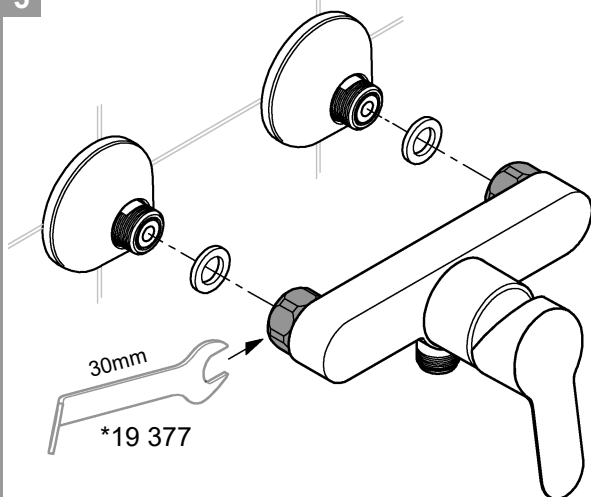




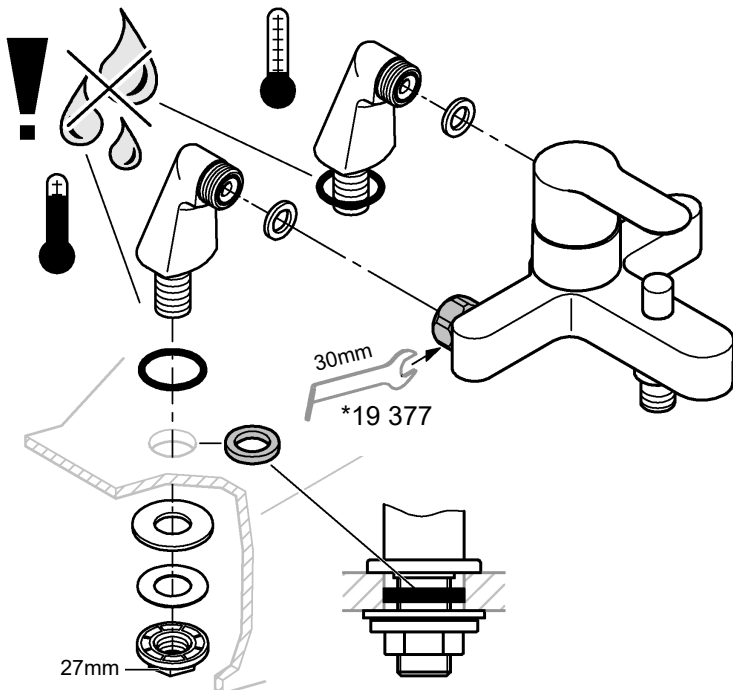
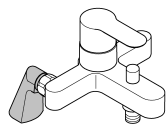
4



5

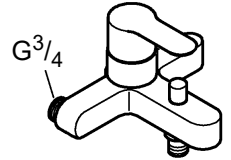
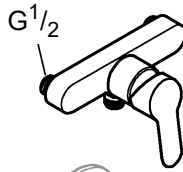
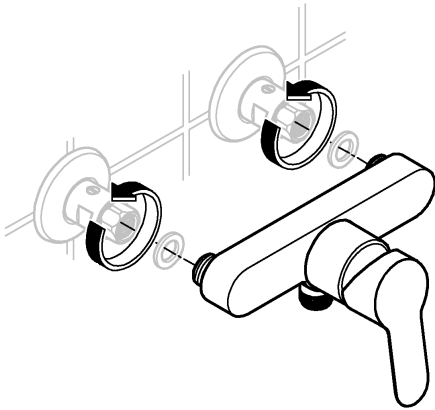
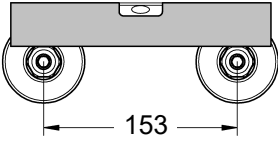


B





CH



\*12 064



\*12 065



FIN

