

Wall mounted receptacle SCHUKO

Part number: 10118



MENNEKES
Elektrotechnik GmbH & Co. KG

Aloys-Mennekes-Straße 1
57399 Kirchhundem
GERMANY

www.MENNEKES.org

Product Description

- screw connection technology
- internal fixing
- straight insertion direction
- German standard
- with hinged lid
- 3 screw terminals as connecting terminals for 1,5 - 2,5 mm²

Technical Details

Wall mounted receptacle SCHUKO	10118
Product serie	SCHUKO
Ampere	16A
Number of poles	2p+PE
Nominal voltage AC	230V
Protection type IP	IP44
Contact carrier	standard
X-CONTACT	no
Connection	screw terminals
Contact screw drive	PZ2, slot
Pilot contact	without pilot contact
Pilot contact switch	no
Blind cable entry at the rear	no
Insertion direction	straight
Type of mounting	internal fixing
Highly resistant to chemicals	no
Military version	no
Tightening torque connection terminal	0.8 Nm
Conductor cross-section min.	1.5 mm ²
Conductor cross-section max.	2.5 mm ²
Weight (net)	86 g
Packaging unit	10 pcs
Quantity per pallet	2080 pcs
EAN / identification number	4015394312147

Permissible ambient conditions

	Min.	Max.
Permissible ambient temperature	-5 °C	40 °C
Average temperature over 24 hours		35 °C

Material properties

Housing	PA6 light grey [similar RAL 7035]
Hinged lid	PA6 light grey [similar RAL 7035]

Material resistance

The material resistance overview can be found on the website in the section “Knowledge” - “Product knowledge” - “Materials”.

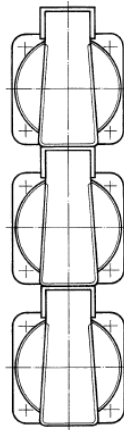
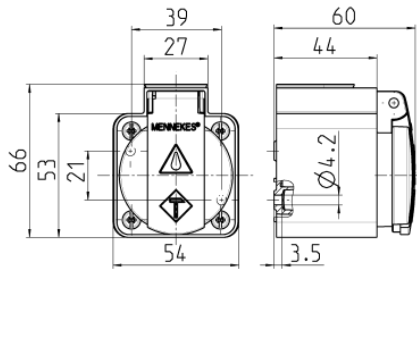
Material and environmental properties

RoHS 2011/65/EU incl. 2015/863/EU	✓
POP regulation (EU) 2019/1021	✓
Halogen-free	yes

Regulations and Standards

Norm	DIN VDE 0620-2-1
Declaration of Conformity	CE

Dimensional Drawing



Drawing
1 MB 27/30

Dim. in mm