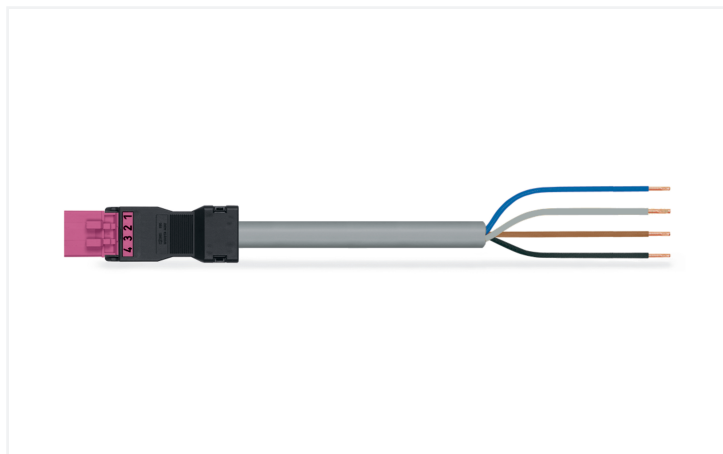


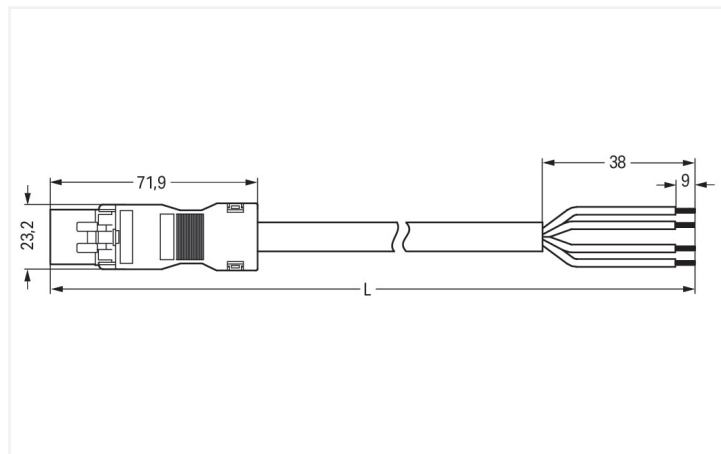
## Data Sheet | Item Number: 891-8994/205-507

pre-assembled connecting cable; Eca; Plug/open-ended; 4-pole; Cod. B; Control cable 4 x 1.0 mm<sup>2</sup>; 5 m; 1,00 mm<sup>2</sup>; pink

<https://www.wago.com/891-8994/205-507>



Color: ■ pink



Dimensions in mm

### Cable assembly WINSTA® MINI B coding

For signal and power transmission: The WINSTA® MINI cable assembly rated current 10 A. On PCBs, in control cabinets or for connecting lights – pluggable installation connectors from WAGO allow you to establish connections according to an enormous variety of requirements in next to no time. For greater protection in electrical installations, the pluggable installation connector is provided with mechanical protection against mismatching. Pluggable installation connectors with B coding from the WINSTA® MINI line are available in pink, light green, or gray, allowing you to distinguish different circuits, for example for light, pumps or, sun blinds. Customer-specific pole marking is possible as well. Due to its particularly compact dimensions, our WINSTA® MINI Pluggable Connection System with Push-in CAGE CLAMP® spring pressure connection technology is very suitable in very restricted spaces, i.e., for connections when very little room is available. Building safety must be ensured at all times, even after the electrical installation stage. The mandatory safety requirements in connection with EU CPR are fully satisfied by this product through fire class E.

### Pluggable connections instead of screw connections – cable assemblies from WAGO

A plug and a free end are provided. The WINSTA® Pluggable Connection System is perfectly tailored to the very strict requirements of building installation. It makes electrical installation pluggable, and consequently faster, even more reliable, and error-free. Use of this pre-assembled system decreases assembly times and installation errors at the construction site. Choose durability and quality – with fire class E from WAGO makes the electrical installation of electrical components significantly easier.

- effective protection against mismatching
- consistent IP40 protection
- with B coding for use in automation of processes, such as lighting technology, for example
- flexible installation to save space
- rapid, structured electrical installation

### Notes

#### Note

Variants:

Cables with a different fire class can be found in the eShop.

Other pole markings

Other versions (or variants) can be requested from WAGO Sales or configured at <https://configurator.wago.com/>.

## Electrical data

| Ratings per                     | IEC/EN 60664-1 |     |    |
|---------------------------------|----------------|-----|----|
| Overvoltage category            | III            | III | II |
| Pollution degree                | 3              | 2   | 2  |
| Nominal voltage                 | 400 V          | -   | -  |
| Rated impulse withstand voltage | 6 kV           | -   | -  |
| Rated current                   | 10 A           | -   | -  |

## General information

|                            |  |
|----------------------------|--|
| Note on contact resistance | approx. 1 mΩ of contact resistance<br>approx. 0.25 mΩ contact transition plug/<br>socket |
|----------------------------|--|

## Connection Data

|                            |                           |
|----------------------------|---------------------------|
| Total number of potentials | 4                         |
| Conductor preparation      | ultrasonically tip-bonded |

## Connection 1

|                                 |                    |
|---------------------------------|--------------------|
| Strip length                    | 9 mm / 0.35 inches |
| Pole number                     | 4                  |
| Wire cross-section              | 1 mm <sup>2</sup>  |
| Strip length (outer insulation) | 38 mm              |
| Connection type                 | Plug - free end    |

## Physical data

|              |                        |
|--------------|------------------------|
| Pin spacing  | 4.4 mm / 0.173 inches  |
| Width        | 23.2 mm / 0.913 inches |
| Height       | 16 mm / 0.63 inches    |
| Total length | 5 m                    |

## Mechanical data

|   |   |
|---|---|
| Use                                     | Control technology  |
| Coding                                  | B   |
| Variable coding                         | No  |
| Marking                                 | 1 2 3 4   |
| Potential marking                       | 1 2 3 4   |
| Mating force of a plug-in connection    | approx. 20 ... 70 N (depending on pole number)                |
| Retention force of a plug-in connection | when locked: > 80N  |
| Unmating force of a plug-in connection  | when unlocked: approx. 20 ... 70 N (depending on pole number) |
| Number of mating cycles                 | 200, without resistive load                                   |
| Connection type                         | Plug - free end   |
| Type of pre-assembled cable             | Connecting cable  |
| Cable type                              | Control line 4x1  |
| Protection type                         | IP20; IP40 when mated   |

## Plug-in connection

|                               |  |
|-------------------------------|--|
| Mismating protection          | Yes  |
| Note on mismating protection  | All <i>WINSTA</i> ® components are 100% protected against mismating when:<br>a.) plugging different numbers of poles<br>b.) plugging while rotated 180<br>c.) plugging while laterally staggered<br>d.) plugging one pole  |
| Locking lever                 | Can be retrofitted   |
| Locking of plug-in connection | Locking lever  |
| Note on locking system        | All connectors for mounted installations (snap-in versions for lighting fixtures or devices, all types of PCB and distribution connectors) are factory-equipped with locking levers to ensure plugs and sockets are securely locked. Additional locking levers are only required for flying leads (plug/socket). |

### Material data

|                                    |  |
|------------------------------------|--|
| Note (material data)               | <a href="#">Information on material specifications can be found here</a> |
| Color                              | pink   |
| Insulation material (main housing) | Polyamide (PA66)   |
| Fire class per EN 50575            | E <sub>ca</sub>  |
| Contact material                   | Copper or copper alloy; surface-treated                                  |
| Contact Plating                    | Tin  |
| Fire load                          | 0.28 MJ  |
| Connector color                    | pink   |
| Strain relief color                | black  |
| Sheathed cable color               | gray   |
| Printing color of sheathed cable   | black  |
| Halogen-free                       | No   |
| Silicon-free                       | Yes  |
| Sheath material                    | PVC  |
| Rubber cable                       | No   |
| Weight                             | 409.1 g  |
| Copper weight of the raw cable     | 0.0384 kg/m  |

### Environmental requirements

|  |   |
|--|---|
| Processing temperature                   | -5 ... +40 °C   |
| Continuous operating temperature         | -35 ... +85 °C  |
| Note on continuous operating temperature | Cable for temperatures ≤ 70 °C (including halogen-free)<br>Insulating parts for temperatures ≤ 105 °C |

### Commercial data

|                       |               |
|-----------------------|---------------|
| PU (SPU)              | 1 pcs         |
| Packaging type        | unpacked      |
| Country of origin     | PL            |
| GTIN                  | 4050821682783 |
| Customs tariff number | 85444290900   |

### Product Classification

|             |                      |
|-------------|----------------------|
| UNSPSC      | 26121629             |
| eCl@ss 10.0 | 27-44-06-04          |
| eCl@ss 9.0  | 27-44-06-04          |
| ETIM 9.0    | EC002587             |
| ETIM 10.0   | EC002587             |
| ECCN        | NO US CLASSIFICATION |

### Environmental Product Compliance

|                        |                         |
|------------------------|-------------------------|
| RoHS Compliance Status | Compliant, No Exemption |
|------------------------|-------------------------|

## Downloads

### Environmental Product Compliance

#### Compliance Search

Environmental Product Compliance  
891-8994/205-507



## Documentation

### Bid Text

|                  |            |                 |  |
|------------------|------------|-----------------|--|
| 891-8994/205-507 | 19.02.2019 | xml<br>3.00 KB  |  |
| 891-8994/205-507 | 02.12.2014 | doc<br>25.00 KB |  |

## CAD/CAE-Data

### CAE data

EPLAN Data Portal  
891-8994/205-507



WSCAD Universe  
891-8994/205-507



## 1 Compatible Products

### 1.1 Required Accessories

#### 1.1.1 Locking system

##### 1.1.1.1 Locking system



[Item No.: 890-111](#)

Locking lever; for flying leads; for tool operation; black

[Item No.: 890-131](#)

Locking lever; for flying leads; for tool operation; white

[Item No.: 890-101](#)

Locking lever; for manual operation; black

[Item No.: 890-121](#)

Locking lever; for manual operation; white

### 1.2 Optional Accessories

#### 1.2.1 Cover

##### 1.2.1.1 Cover



[Item No.: 897-2003](#)

Protective cap; Type2; for sockets and plugs; PVC; red

## 1.2.2 Installation

### 1.2.2.1 Mounting accessories



Item No.: [890-310](#)

Mounting carrier; 2- to 5-pole; for flying leads; black



Item No.: [890-311](#)

Mounting carrier; 2- to 5-pole; for flying leads; white