
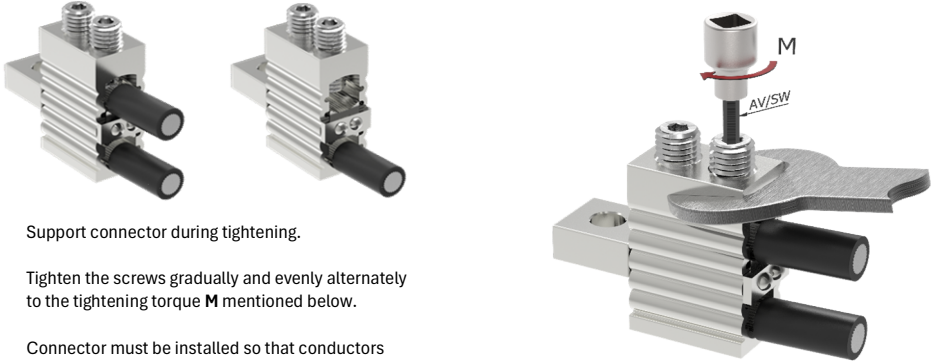

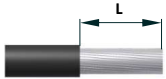



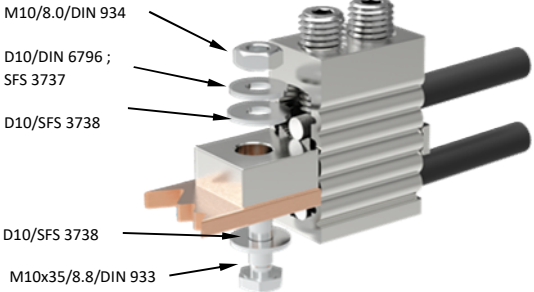



Product data							
Product code	Product name	I _n Al	I _n Cu	U _n	US specific		
					I _{max} Al	I _{max} Cu	U _{max}
VC02-0005	OT Universal connector 2x(Al 25-120mm ² / Cu 25-95mm ²)	380 A	400 A	690 V	-	-	-

General	Conductor installation
<p>OT-Connectors are suitable for Aluminium- and Copper conductors.</p> <ul style="list-style-type: none"> - Segmental conductors have to be rounded before mounting. Pre-shape the sector conductor with transfer jaw pliers before removing the insulation or with rounding jaws after removing the insulation. - For stripping cable, see stripping length L (table below) - Remove any layer of oxide by brushing. 	 <p>Support connector during tightening.</p> <p>Tighten the screws gradually and evenly alternately to the tightening torque M mentioned below.</p> <p>Connector must be installed so that conductors are relieved from strain.</p>

Connection			
	Screw 2xM14 SW 6	Tightening torque M 25-35 mm ² 10 Nm 50-120 mm ² 20 Nm	Stripping length L 40±1 mm 
	Conductor range 2x(Al 25-120 mm ² / Cu 25-95 mm ²)		Supported IEC 60228 -conductors Class 5 & 6 (fine stranded) Using ferrule is recommended Class 1 & 2 (solid and stranded)
Copper conductors Max. 3 X CU / Conductor contact space  ≤ 95 mm ² total	Aluminium conductors 1 X AL / Conductor contact space ≤ 120 mm ² total Anti-corrosion paste: e.g. Penetrox		Attention!  When connecting to an aluminium rail, the surface of the rail must be brushed with a wire brush and immediately treated with connecting grease. In damp areas, the use of protective grease is recommended (eg. Penetrox). On the rail side, in addition to the pressure relief plate, a conical press plate (e.g. DIN 6796) must be used.

Mounting to busbar	Attention!
<ul style="list-style-type: none"> - Be sure that there are no burrs around the hole. - Length of the screw depends on the busbar thickness. - Use standard screws, nuts and washers. (Plated with Zn) - Recommended torque for M10 is 30-44 Nm. 	 When connecting to an aluminium rail, the surface of the rail must be brushed with a wire brush and immediately treated with connecting grease. In damp areas, the use of protective grease is recommended (eg. Penetrox). On the rail side, in addition to the pressure relief plate, a conical press plate (e.g. DIN 6796) must be used.

Cross section and max. number of Cu- conductors / contact space (Al- conductors in parenthesis)											
1,5 mm ²	2,5 mm ²	6 mm ²	10 mm ²	16 mm ²	25 mm ²	35 mm ²	50 mm ²	The specified max. amount of conductors refers only to industrially installed terminals.			
-	-	-	-	-	3(1)	3(1)	2(1)				
				70 mm ²	95 mm ²	120 mm ²	150 mm ²	185 mm ²	240 mm ²	300 mm ²	400 mm ²
				1(1)	1(1)	0(1)	-	-	-	-	-