

Product data

Product code	VC02-0005	STK-code	1912303	EAN-code	6410019123036
Product name	OT Universal connector 2x(Al 25-120mm ² / Cu 25-95mm ²)			ETIM class	EC000897
Wires	2x(Al 25-120 mm ² / Cu 25-95 mm ²)				

Technical data

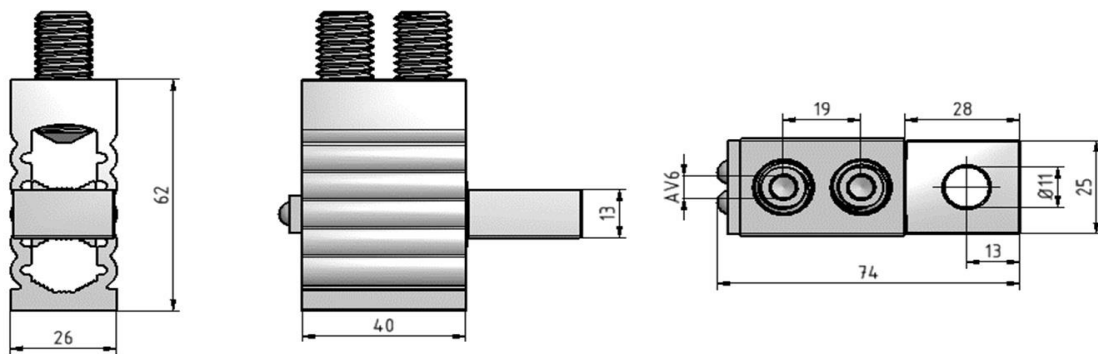
Nominal current (IEC)	Cu	400	A
	Al	380	A
Nominal voltage (IEC)		690	V
		-	
		-	
		-	
Number of poles		1	pcs
Max. Cross section		120	mm ²
Tightening torque			
	25-35 mm ²	10	Nm
	50-120 mm ²	20	Nm
		-	
		-	
		-	
Operating temperature		80	°C
Weight		186	g
		-	



Standards	EN 61238-1:2004
Color / Material	Tin plated aluminium
Mounting / Connection	Screw 2xM14

Description

Ouneva OT-connectors are a universal terminal series for connecting Al- and Cu-conductors to equipment. OT-connectors are used in equipment or as a transfer terminal between copper and aluminium. Connectors are made of tin plated aluminium.

Drawing

Package

Package	Box	Pcs / Package	10	Weight [kg]	1,97
Length [mm]	210	Width [mm]	160	Height [mm]	105

Ouneva Oy

Teollisuustie 21
FI-82730 Tuupovaara
Finland

www.ounevagroup.fi

www.ounevaproducts.fi