

Spout 200 x 35 x 11 x 312 mm - Champagne (22kt Gold)

SPARE PARTS

90 28 22 155 00 Product version from 4/1/2025



	Champagne (22kt Gold)	90 28 22 155 00-47
	Chrome	90 28 22 155 00-00
	Brushed Platinum	90 28 22 155 00-06
	Dark Chrome	90 28 22 155 00-19
	Brushed Light Gold (PVD)	90 28 22 155 00-27
	Brushed Durabronze (23kt Gold)	90 28 22 155 00-28
	Brushed Gold (PVD)	90 28 22 155 00-37
	Brushed Dark Brass (PVD)	90 28 22 155 00-39
	Brushed Bronze (PVD)	90 28 22 155 00-42
	Brushed Champagne (22kt Gold)	90 28 22 155 00-46
	Brushed Dark Platinum	90 28 22 155 00-99



Spout 200 x 35 x 11 x 312 mm - Champagne (22kt Gold)

SPARE PARTS

90 28 22 155 00 Product version from 4/1/2025



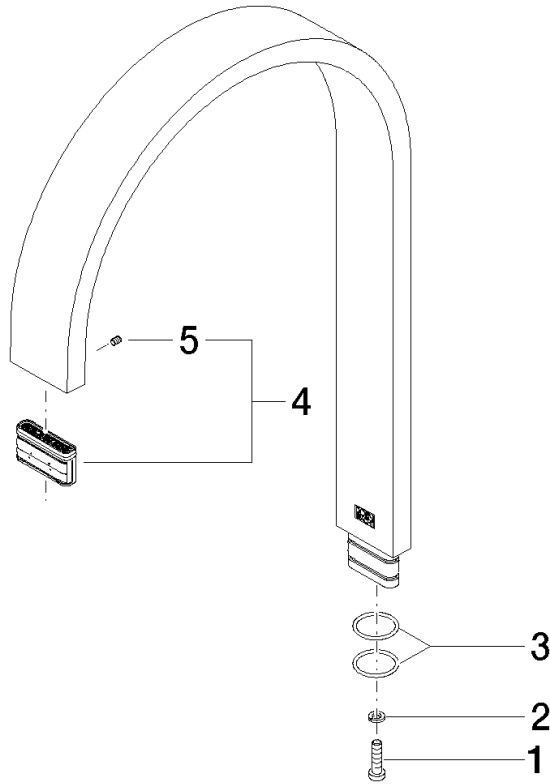
Spout 200 x 35 x 11 x 312 mm - Champagne (22kt Gold)

SPARE PARTS

90 28 22 155 00 Product version from 4/1/2025

90 28 22 155 00 Product version from 4/1/2025

Parts for other finishes can be found here: [Chrome](#)



Spare parts list

No.	Item Number	Name	Quantity used	Delivery time
5	09 31 11 064 90	Mounting Threaded pin with hexagon socket with chamfered end M3 x 4 mm -	1.00	14
2	90 30 11 029 00 90	Connection Spring lock washer Ø 4 -	1.00	14
3	09 14 10 096 90	O-Ring EPDM 70 17,0 x 1,5 mm -	2.00	14
4	90 29 03 045 00 90	Aerator insert without limitation 32 x 8 mm -	1.00	14
1	09 30 30 069 90	Mounting Cylinder head screw with hexagon socket Low profile M4 x 16 mm -	1.00	14