

Technical data sheet

Fastening bracket BW 64

Item number: 6019680



Light-duty fastening bracket of limb dimension 64 x 32 mm.



- St** Steel
- FS** Strip galvanized

Master data

Item number	6019680
Type	BW 64 32 FS
Description 1	Fastening bracket
Description 2	lightweight version
Manufacturer	OBO
Dimension	60x64x32
Colour	zinc
Material	Steel
Surface	Strip galvanized
Surface standard	DIN EN 10346
Smallest sales unit	10
Unit of quantity	Piece
Weight	7.09 kg
Weight unit	kg/100 pc.
CO2 Footprint (GWP) Cradle-to-Gate	0,2998 kg CO2e / 1 Piece

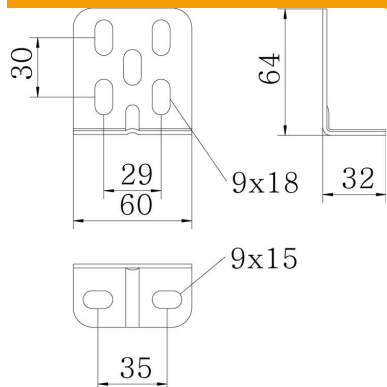
Technical data sheet

Fastening bracket BW 64

Item number: 6019680



Dimensions



Length	60 mm
Width	64 mm
Height	32 mm

Technical data

Version for	Fastening bracket
Maintain electrical functions	no
Suitable for profile shapes	Miscellaneous
With screw accessories	no
Adjustable	no