





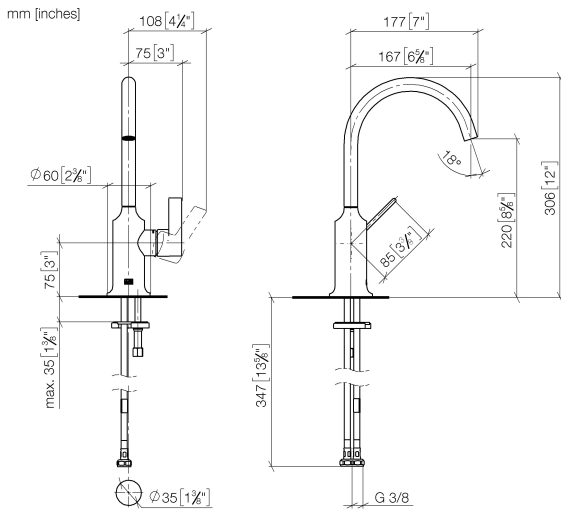
33 521 809 Product version from 3/13/2017



- 167mm projection
- pivotable spout 360°
- circular, air-enriched flow
- height of mixer 306 mm
- height up to aerator 220 mm
- hole diameter 35 mm
- 2x screw-in M 8 x 1 pressure hose, leak-tested
- max. flow 5.7 l/min
- lead-free
- This product can help a building meet the requirements of Green Building Rating Systems, e.g. LEED®, BREEAM®, DGNB
- WRAS

| | | |
|---|-------------------------------------|---------------|
|  | Chrome | 33 521 809-00 |
|  | Brushed Platinum | 33 521 809-06 |
|  | Platinum | 33 521 809-08 |
|  | Dark Chrome | 33 521 809-19 |
|  | Brushed Durabrass (23kt Gold) | 33 521 809-28 |
|  | Brushed Gold (PVD) | 33 521 809-37 |
|  | Brushed Dark Brass (PVD) | 33 521 809-39 |
|  | Brushed Bronze (PVD) | 33 521 809-42 |
|  | Brushed Dark Bronze (PVD) | 33 521 809-43 |
|  | Brushed Champagne (22kt Gold) | 33 521 809-46 |
|  | Champagne (22kt Gold) | 33 521 809-47 |
|  | Brushed Dark Platinum | 33 521 809-99 |

33 521 809 Product version from 3/13/2017



Flow rate chart



Codes & Standards

DIN 4109

Executive Order
no. 1007

ISO 3822

Scottish Water
Byelaws

UK Water Supply
Regulations

Ü-Zeichen



VAIA Single-lever basin mixer without pop-up waste - Chrome

VAIA

33 521 809 Product version from 3/13/2017

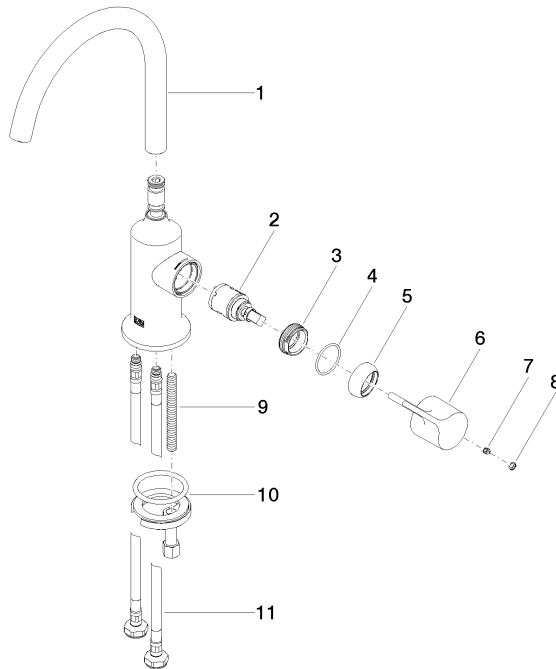
Certificates and sustainability

WRAS_240702

GDV_0400

LGA_29

EPD-DOR-20230287
-IBA1-EN
Environmental.prod
uct-declarat



Spare parts list

| No. | Item Number | Name | Quantity used | Delivery time |
|-----|--------------------|--|---------------|---------------|
| 2 | 90 15 05 042 00 90 | Cartridge Ø 25 x 52 mm - | 1.00 | 14 |
| 11 | 04 30 04 100 00 90 | High pressure hose M8x1 x 3/8" x 420 mm - | 2.00 | 14 |
| 4 | 09 14 10 091 90 | O-Ring NBR 70 26,5 x 1,72 mm - | 1.00 | 14 |
| 7 | 90 31 11 030 00 90 | Mounting Threaded pin with hexagon socket with cup point M5 x 5 mm - | 1.00 | 14 |
| 5 | 09 28 30 021-00 | Cover Ø 32 x 11 mm - Chrome | 1.00 | 20 |
| 9 | 09 31 11 011 90 | Mounting Threaded bolt M8 x 80 mm - | 1.00 | 14 |
| 8 | 90 31 20 087 00-00 | Plug with O-ring Ø 7 x 2,1 mm - Chrome | 1.00 | 20 |
| 1 | 90 28 22 311 00-00 | Spout for washstand deck mounting 167 mm, 5,68 l/min. - Chrome | 1.00 | 20 |
| 10 | 04 30 11 038 00 90 | Mounting with O-ring Ø40 x 4mm Ø 52 x 1,5 mm - | 1.00 | 14 |
| 3 | 09 24 04 266 90 | Mounting Ø 28 x 10,8 mm - | 1.00 | 14 |
| 6 | 90 20 80 070 00-00 | Lever 37 x 34 x 107 mm - Chrome | 1.00 | 20 |