

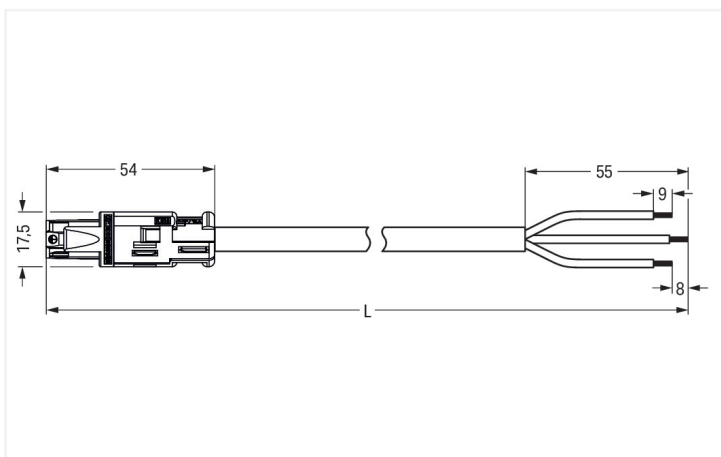
**Data Sheet | Item Number: 774-9993/106-801**

pre-assembled connecting cable; Eca; Socket/open-ended; 3-pole; Cod. A; H05VV-F 3G 1.5 mm<sup>2</sup>; 8 m; 1,50 mm<sup>2</sup>; black

<https://www.wago.com/774-9993/106-801>



Color: ■ black



Dimensions in mm

Cable assembly *WINSTA*® RD with protection type IP20

Use effective pluggable connections instead of laborious screw connections: With the *WINSTA*® RD cable assembly with locking latch. WAGO pluggable installation connectors are useful when criteria repeat or are planned on a defined grid, for example for installing grid lighting or flush-mount lighting. The coding options reduce installation errors, allowing fast, secure wiring of all components. The pluggable installation connector is protected in accor-

dance with protection type IP20 (When mated: IP2xC (These compact connectors are not designed for use in open, easily accessible areas!)). That results in the fact that users' fingers will never come into contact with electrified contact elements. WINSTA® RD: Solutions from this product line fit into drill holes and conduits with diameters up to 20 mm. According to the European CPR, the fire class of the cables used for construction is critical for building safety as well. For houses with average safety requirements, cable assemblies with fire class E are suitable.

Fast, secure pluggable connections – cable assemblies from WAGO

The cable assembly is equipped with a socket and a free end. The WINSTA® Pluggable Connection System allows pluggable electrical installation. This significantly reduces the need for servicing and lowers costs. Now you can also reduce installation expenses without compromising quality and safety: with fire class E reduces the need for servicing and prevents unnecessary downtime.

- protection against mismatching eliminates errors
- products perfectly tailored to your requirements guarantee safe use
- with A coding for use in a large number of general mains applications
- custom-engineered solutions
- fast, secure installation

## Notes

Note Cables with a different fire class can be found in the eShop.

## Electrical data

| Ratings per                     | IEC/EN 60664-1 |     |    |
|---------------------------------|----------------|-----|----|
| Overvoltage category            | III            | III | II |
| Pollution degree                | 3              | 2   | 2  |
| Nominal voltage                 | 250 V          | -   | -  |
| Rated impulse withstand voltage | 4 kV           | -   | -  |
| Rated current                   | 16 A           | -   | -  |

## General information

Note on contact resistance approx. 1 mΩ of contact resistance  
approx. 0.25 mΩ contact transition plug/socket

## Connection Data

|                            |                           |
|----------------------------|---------------------------|
| Total number of potentials | 3                         |
| PE function                | Preceding PE contact      |
| Conductor preparation      | ultrasonically tip-bonded |

## Connection 1

|                                 |                     |
|---------------------------------|---------------------|
| Strip length                    | 9 mm / 0.35 inches  |
| Pole number                     | 3                   |
| Wire cross-section              | 1.5 mm <sup>2</sup> |
| Strip length (outer insulation) | 55 mm               |
| Connection type                 | Socket - free end   |

## Physical data

|              |                        |
|--------------|------------------------|
| Width        | 17.5 mm / 0.689 inches |
| Height       | 17.5 mm / 0.689 inches |
| Total length | 8 m                    |

## Mechanical data

|   |  |
|---|--|
| Use                                     | General mains applications                               |
| Coding                                  | A  |
| Variable coding                         | No   |
| Marking                                 | L ⊕ N  |
| Mating force of a plug-in connection    | Approx. 30 ... 70 N (depending on pole number)           |
| Retention force of a plug-in connection | when locked: > 80N                                       |
| Unmating force of a plug-in connection  | Unlocked: approx. 30 ... 70 N (depending on pole number) |
| Number of mating cycles                 | 200, without resistive load                              |
| Connection type                         | Socket - free end  |
| Type of pre-assembled cable             | Connecting cable   |
| Cable type                              | H05VV-F 3G1.5  |

### Mechanical data

|                 |   |
|-----------------|---|
| Protection type | IP20; When mated: IP2xC (These compact connectors are not designed for use in open, easily accessible areas!) |
|-----------------|---|

### Plug-in connection

|                               |  |
|-------------------------------|--|
| Mismating protection          | Yes  |
| Note on mismating protection  | All <i>WINSTA</i> ® components are 100% protected against mismating when:<br>a.) plugging different numbers of poles<br>b.) plugging while incorrectly rotated<br>c.) plugging while laterally staggered |
| Locking lever                 | Yes  |
| Locking of plug-in connection | Locking lever  |

### Material data

|                                    |  |
|------------------------------------|--|
| Note (material data)               | <a href="#">Information on material specifications can be found here</a> |
| Color                              | black  |
| Insulation material (main housing) | Polyamide (PA66)   |
| Flammability class per UL94        | V0   |
| Fire class per EN 50575            | E <sub>ca</sub>  |
| Contact material                   | Copper or copper alloy; surface-treated                                  |
| Contact Plating                    | Tin  |
| Fire load                          | 239.444 MJ   |
| Connector color                    | black  |
| Strain relief color                | black  |
| Sheathed cable color               | black  |
| Printing color of sheathed cable   | white  |
| Halogen-free                       | No   |
| Silicon-free                       | Yes  |
| Sheath material                    | PVC  |
| Rubber cable                       | No   |
| Weight                             | 791.7 g  |
| Copper weight of the raw cable     | 0.043 kg/m   |

### Environmental requirements

|  |   |
|--|---|
| Processing temperature                   | -5 ... +40 °C   |
| Continuous operating temperature         | -35 ... +85 °C  |
| Note on continuous operating temperature | Cable for temperatures ≤ 70 °C (including halogen-free)<br>Insulating parts for temperatures ≤ 105 °C |

### Commercial data

|                       |               |
|-----------------------|---------------|
| PU (SPU)              | 1 pcs         |
| Packaging type        | unpacked      |
| Country of origin     | PL            |
| GTIN                  | 4045454321277 |
| Customs tariff number | 85444290900   |

**Product Classification**

|             |                      |
|-------------|----------------------|
| UNSPSC      | 26121629             |
| eCl@ss 10.0 | 27-44-06-04          |
| eCl@ss 9.0  | 27-44-06-04          |
| ETIM 9.0    | EC002587             |
| ETIM 10.0   | EC002587             |
| ECCN        | NO US CLASSIFICATION |

**Environmental Product Compliance**

|                        |                         |
|------------------------|-------------------------|
| RoHS Compliance Status | Compliant, No Exemption |
|------------------------|-------------------------|

**Approvals / Certificates**

**General approvals**



| Approval                              | Standard | Certificate Name |
|---------------------------------------|----------|------------------|
| CCA<br>DEKRA Certification B.V.       | -        | NTR NL 6374      |
| CCA<br>DEKRA Certification B.V.       | EN 61535 | NTR NL-7969      |
| CCA<br>DEKRA Certification B.V.       | EN 61984 | NTR NL-7848      |
| KEMA/KEUR<br>DEKRA Certification B.V. | EN 61535 | 71-123229        |
| KEMA/KEUR<br>DEKRA Certification B.V. | EN 61984 | 71-114944        |
| KEMA/KEUR<br>DEKRA Certification B.V. | -        | 2118353.01       |

**Downloads**





**Environmental Product Compliance**

| Compliance Search                                    |
|--|
| Environmental Product Compliance<br>774-9993/106-801 |

**Documentation**

| Bid Text         |            |                 |  |
|------------------|------------|-----------------|--|
| 774-9993/106-801 | 19.02.2019 | xml<br>3.02 KB  |  |
| 774-9993/106-801 | 07.01.2015 | doc<br>23.50 KB |  |

### CAD/CAE-Data

| CAD data   | CAE data  |
|--|---|
| 2D/3D Models<br>774-9993/106-801  | EPLAN Data Portal<br>774-9993/106-801  |
|  | WSCAD Universe<br>774-9993/106-801     |
|  | ZUKEN Portal<br>774-9993/106-801       |

### 1 Compatible Products

#### 1.1 Optional Accessories

##### 1.1.1 Cover

###### 1.1.1.1 Cover



Item No.: 897-2001  
Protective cap; Type1; for sockets and  
plugs; PVC; red