



- 146mm projection
- rigid, thermally insulated spout
- laminar flow
- height of mixer 288 mm
- height up to laminar flow regulator 180 mm
- hole diameter 35 mm
- provides filtered, hot water up to 93°C
- provides filtered, cold water
- max. flow 2 l/min at 3 bar flow pressure
- ready-to-use control unit for wall mounting (137mm x 159mm x 60mm)
- electronic magnetic valve
- 100-230 V, 50-60 Hz, 18 W power supply unit, incl. country-specific adapter set
- lead-free
- Spout ring cannot be removed.
- This product can help a building meet the requirements of Green Building Rating Systems, e.g. LEED®, BREEAM®, DGNB

A minimum flow pressure of 3 bar is necessary for the HOT & COLD WATER DISPENSER to work perfectly in conjunction with a hot water tank and filter.

The installation must be above a kitchen sink.

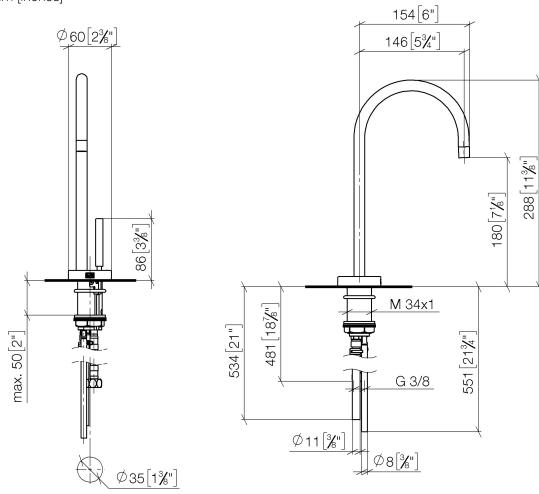
The filter cartridge must be changed every six months. The installation instructions contain further information for guidance.

Detailed planning information and technical data can be found at www.dornbracht.com/professional

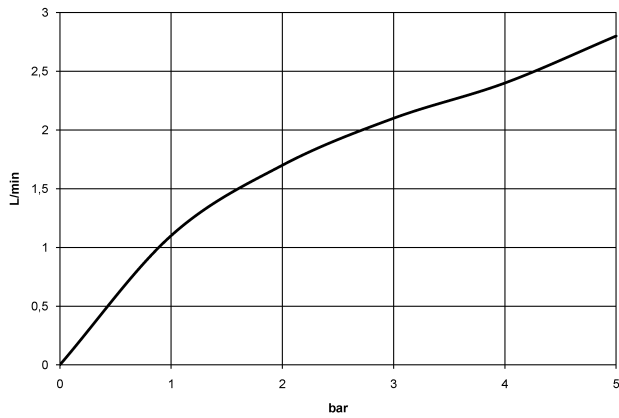
Not compatible with reverse osmosis filtration

17 861 888 Product version from 5/28/2022

mm [inches]



Flow rate chart



Codes & Standards

ASME A112.18.1

cUPC

Executive Order
no. 1007

NSF372

NSF61



TARA HOT & COLD WATER DISPENSER - Durabross (23kt Gold)

TARA

17 861 888 Product version from 5/28/2022

Certificates and sustainability

IAPMO_N-4	GDV_0400	IAPMO_6	IAPMO_4976 (EPD-DOR-20230287 -IBA1-EN Environmental.prod uct-declarat
-----------	----------	---------	--------------	--

