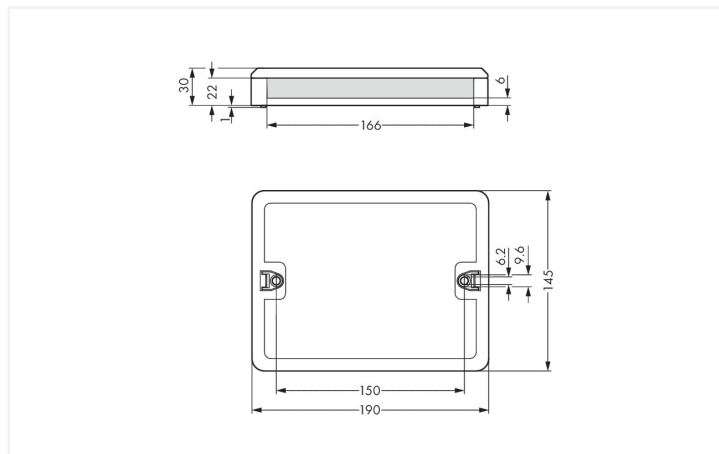
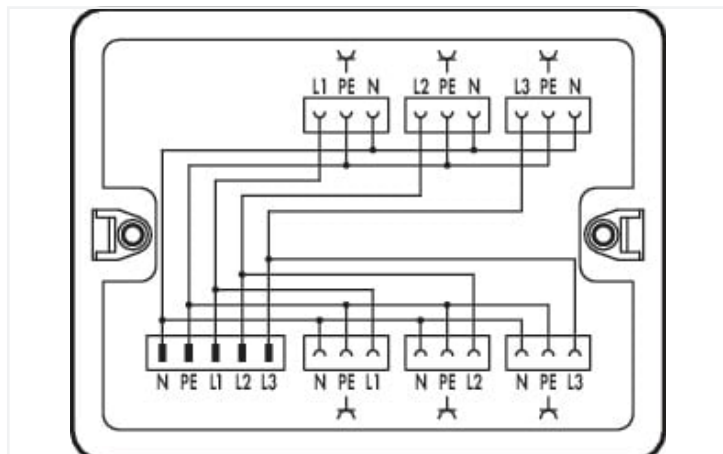


Data Sheet | Item Number: 899-681/105-000

Distribution box; Three-phase to single-phase current (400 V/230 V); 1 input; 6 outputs; Cod. A; MIDI; white

<https://www.wago.com/899-681/105-000>



Color: ■ white

Dimensions in mm

Distribution box WINSTA® A coding

When using the distribution box from the WINSTA® product line with protection type IP20, error-free electrical installation is ensured. You can rely on the quality of WINSTA® components from WAGO for your electrical installation accessories too. For greater security in electrical installations, the distribution box is provided with mechanical protection against mismatching. The distribution box is protected against ingress by solid objects in accordance with protection type IP20 (When mated: IP2xC (These compact connectors are not designed for use in open, easily accessible areas!)). The WINSTA® distribution box with A coding in white or black is normally used for general mains applications in power distribution. Important parameters in the selection of a distribution box are the rated current and voltage: They provide information about possible domains of use and applications. This product has a current rating of 25 A – as a result it is also suitable for high power loads.

Lower costs through fast commissioning and elimination of service expenses – solutions from WINSTA®

The WINSTA® Pluggable Connection System is ideally tailored to the strict requirements of building installation. It makes electrical installation pluggable, and thus faster, more reliable, and error-free. Using this pre-assembled system decreases assembly times and errors during installation at the construction site. Now you can also cut installation costs without compromising quality and safety: with protection against mismatching eliminates the need for servicing and prevents unnecessary downtime.

- protection against mismatching eliminates errors
- intuitive marking
- products perfectly tailored to your requirements guarantee safe use
- for any mains application
- quick replacement of defective units during ongoing operation

Electrical data

Ratings per	IEC/EN 60664-1		
Overvoltage category	III	III	II
Pollution degree	3	2	2
Nominal voltage	400 V	-	-
Rated surge voltage	6 kV	-	-
Rated current	25 A	-	-

Ratings per IEC/EN 2	
Rated voltage (III/3) 2	250 V
Rated surge voltage (III/3) 2	4 kV

General information

Note on contact resistance	approx. 1 mΩ contact resistance approx. 0.25 mΩ contact transition (plug/ socket)
----------------------------	---

Physical data

Width	190 mm / 7.48 inches
Height	30 mm / 1.181 inches
Depth	145 mm / 5.709 inches

Mechanical data

Internal wiring	4 mm ²
Application	Three-Phase to Single-Phase Current (400 V/230 V)
Coding	A
Mounting type	Wall, screw mount Installation on mounting plate
Protection type	IP20; When mated: IP2xC (These compact connectors are not designed for use in open, easily accessible areas!)

Plug-in connection

Mismatching protection	Yes
Note on mismatching protection	All <i>WINSTA</i> [®] components are 100% protected against mismatching when: a.) plugging different numbers of poles b.) plugging while rotated 180 c.) plugging while laterally staggered d.) plugging one pole
Locking of plug-in connection	Locking lever

Material data

Note (material data)	Information on material specifications can be found here
Color	white
Insulation material	Polyamide (PA66)
Flammability class per UL94	V0
Contact material	Copper or copper alloy; surface-treated
Contact plating	Tin
Fire load	31.156 MJ
Weight	445 g

Environmental requirements

Processing temperature	-5 ... +40 °C
Continuous operating temperature	-35 ... +85 °C
Note on continuous operating temperature	Insulating parts for temperatures ≤ 105 °C

Commercial data

eCl@ss 10.0	27-44-06-03
eCl@ss 9.0	27-44-06-03
ETIM 8.0	EC002567
ETIM 7.0	EC002567
PU (SPU)	1 pcs
Packaging type	Box
Country of origin	DE
GTIN	4055143308311
Customs tariff number	85366990990

Environmental Product Compliance

RoHS Compliance Status	Compliant, No Exemption
------------------------	-------------------------

Downloads

Environmental Product Compliance

Compliance Search	
Environmental Product Compliance 899-681/105-000	↓





Documentation

Bid Text			
899-681/105-000	19.02.2019	xml 3.50 KB	↓
899-681/105-000	23.02.2015	doc 26.00 KB	↓





1 Compatible Products

1.1 System counterpart




1.1.1 Cable assembly

			
<p>Item No.: 771-9993/206-102 pre-assembled connecting cable; Eca; Plug/open-ended; 3-pole; Cod. A; H05VV-F 3G 1.5 mm²; 1 m; 1,50 mm²; white</p>	<p>Item No.: 771-9995/106-102 pre-assembled connecting cable; Eca; Socket/open-ended; 5-pole; Cod. A; H05VV-F 5G 1.5 mm²; 1 m; 1,50 mm²; white</p>	<p>Item No.: 771-9993/006-102 pre-assembled interconnecting cable; Eca; Socket/plug; 3-pole; Cod. A; H05VV-F 3G 1.5 mm²; 1 m; 1,50 mm²; white</p>	<p>Item No.: 771-9995/006-102 pre-assembled interconnecting cable; Eca; Socket/plug; 5-pole; Cod. A; H05VV-F 5G 1.5 mm²; 1 m; 1,50 mm²; white</p>

1.1.2 Female connector/socket

			
<p>Item No.: 770-225 Socket; 5-pole; Cod. A; 4,00 mm²; white</p>	<p>Item No.: 770-425 Socket; 5-pole; Cod. A; 4,00 mm²; white</p>	<p>Item No.: 770-125 Socket; with strain relief housing; 5-pole; Cod. A; 4,00 mm²; white</p>	<p>Item No.: 770-325 Socket; with strain relief housing; 5-pole; Cod. A; 4,00 mm²; white</p>

1.1.3 Male connector/plug

		
<p>Item No.: 770-233 Plug; 3-pole; Cod. A; 4,00 mm²; white</p>	<p>Item No.: 770-133 Plug; with strain relief housing; 3-pole; Cod. A; 4,00 mm²; white</p>	<p>Item No.: 770-233/035-050 Plug; with strain relief housing; 3-pole; Cod. A; 4,00 mm²; white</p>

1.2 Optional Accessories

1.2.1 Installation

1.2.1.1 Mounting accessories



Item No.: [899-680](#)

Mounting plate; for distribution boxes; gray

Installation Notes

Installation

