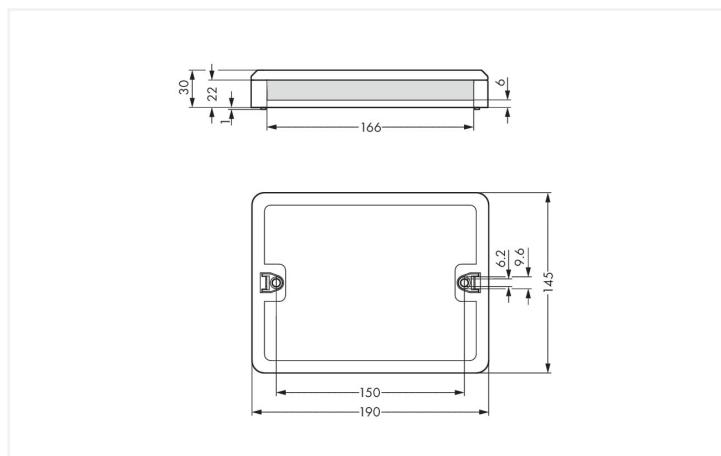
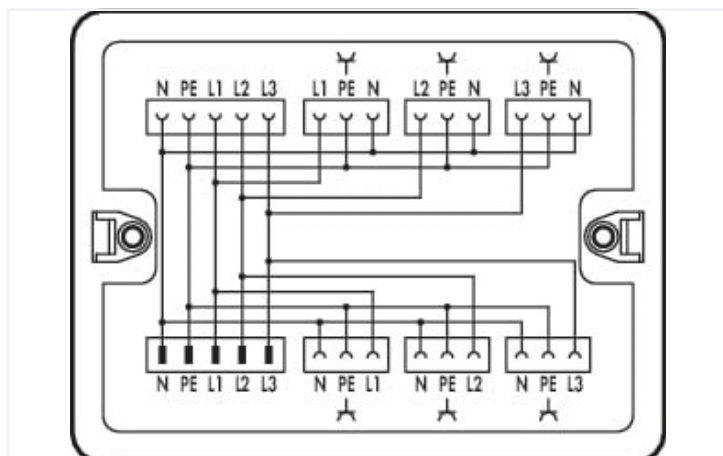


Data Sheet | Item Number: 899-681/100-000

Distribution box; Three-phase to single-phase current (400 V/230 V); 1 input; 7 outputs; Cod. A; MIDI; white

<https://www.wago.com/899-681/100-000>



Color: ■ white

Dimensions in mm

Distribution box *WINSTA*® rated current 25 A

Choose reliable accuracy for the electrical installation in your project: The distribution box from the *WINSTA*® product line with protection type IP20. A comprehensive range of accessories complements the *WINSTA*® product line from WAGO. The coding options reduce installation errors, allowing fast, secure wiring of all components. The distribution box offers protection against contact with live components in accordance with protection type IP20 (When mated: IP2xC (These compact connectors are not designed for use in open, easily accessible areas!)). Standard mains applications for almost any domain of use can be realised with *WINSTA*® distribution boxes with A coding. The rated current and voltage are important criteria for selecting a distribution box: They provide information about possible domains of use and applications. This product has a current rating of 25 A – therefore it is also suitable for robust loads.

WINSTA® solutions for your electrical installation – protected against mismatching and maintenance-free

WINSTA® is the pluggable connection system that is ideally tailored to the strict requirements of electrical installation. It ensures error-free installation of cables and components, quickly and reliably. Now you can also lower installation expenses without compromising safety and quality: with protection against mismatching reduces the need for servicing and prevents unnecessary downtime.

- distribution boxes with protection against mismatching
- intuitive distribution box marking
- saves time, since no wiring is required at the construction site
- with A coding for use in many general mains applications
- quick replacement of defective units during ongoing operation

Electrical data

Ratings per

	IEC/EN 60664-1		
Overvoltage category	III	III	II
Pollution degree	3	2	2
Nominal voltage	400 V	-	-
Rated surge voltage	6 kV	-	-
Rated current	25 A	-	-

Ratings per IEC/EN 2

Rated voltage (III/3) 2	250 V
Rated surge voltage (III/3) 2	4 kV

General information

Note on contact resistance	approx. 1 mΩ contact resistance approx. 0.25 mΩ contact transition (plug/ socket)
----------------------------	---

Physical data

Width	190 mm / 7.48 inches
Height	30 mm / 1.181 inches
Depth	145 mm / 5.709 inches

Mechanical data

Internal wiring	4 mm ²
Application	Three-Phase to Single-Phase Current (400 V/230 V)
Coding	A
Mounting type	Wall, screw mount Installation on mounting plate
Protection type	IP20; When mated: IP2xC (These compact connectors are not designed for use in open, easily accessible areas!)

Plug-in connection

Mismatching protection	Yes
Note on mismatching protection	All <i>WINSTA</i> [®] components are 100% protected against mismatching when: a.) plugging different numbers of poles b.) plugging while rotated 180 c.) plugging while laterally staggered d.) plugging one pole
Locking of plug-in connection	Locking lever

Material data

Note (material data)	Information on material specifications can be found here
Color	white
Insulation material	Polyamide (PA66)
Flammability class per UL94	V0
Contact material	Copper or copper alloy; surface-treated
Contact plating	Tin
Fire load	22.662 MJ
Weight	470 g

Environmental requirements

Processing temperature	-5 ... +40 °C
Continuous operating temperature	-35 ... +85 °C
Note on continuous operating temperature	Insulating parts for temperatures ≤ 105 °C

Commercial data

eCl@ss 10.0	27-44-06-03
eCl@ss 9.0	27-44-06-03
ETIM 8.0	EC002567
ETIM 7.0	EC002567
PU (SPU)	1 pcs
Packaging type	Box
Country of origin	DE
GTIN	4055143306539
Customs tariff number	85366990990

Environmental Product Compliance

RoHS Compliance Status	Compliant, No Exemption
------------------------	-------------------------

Downloads

Environmental Product Compliance

Compliance Search	
Environmental Product Compliance 899-681/100-000	↓

Documentation

Bid Text			
899-681/100-000	19.02.2019	xml 3.50 KB	↓
899-681/100-000	23.02.2015	doc 25.50 KB	↓
ausschreiben.de 899-681/100-000			↓

1 Compatible Products

1.1 System counterpart

1.1.1 Cable assembly



Item No.: 771-9993/206-102
pre-assembled connecting cable; Eca; Plug/open-ended; 3-pole; Cod. A; H05VV-F 3G 1.5 mm²; 1 m; 1,50 mm²; white



Item No.: 771-9995/206-102
pre-assembled connecting cable; Eca; Plug/open-ended; 5-pole; Cod. A; H05VV-F 5G 1.5 mm²; 1 m; 1,50 mm²; white



Item No.: 771-9995/106-102
pre-assembled connecting cable; Eca; Socket/open-ended; 5-pole; Cod. A; H05VV-F 5G 1.5 mm²; 1 m; 1,50 mm²; white



Item No.: 771-9993/006-102
pre-assembled interconnecting cable; Eca; Socket/plug; 3-pole; Cod. A; H05VV-F 3G 1.5 mm²; 1 m; 1,50 mm²; white



Item No.: 771-9995/006-102
pre-assembled interconnecting cable; Eca; Socket/plug; 5-pole; Cod. A; H05VV-F 5G 1.5 mm²; 1 m; 1,50 mm²; white

1.1.2 Female connector/socket



Item No.: 770-225
Socket; 5-pole; Cod. A; 4,00 mm²; white



Item No.: 770-425
Socket; 5-pole; Cod. A; 4,00 mm²; white



Item No.: 770-125
Socket; with strain relief housing; 5-pole; Cod. A; 4,00 mm²; white



Item No.: 770-325
Socket; with strain relief housing; 5-pole; Cod. A; 4,00 mm²; white

1.1.3 Male connector/plug



Item No.: 770-233

Plug; 3-pole; Cod. A; 4,00 mm²; white



Item No.: 770-235

Plug; 5-pole; Cod. A; 4,00 mm²; white



Item No.: 770-435

Plug; 5-pole; Cod. A; 4,00 mm²; white



Item No.: 770-133

Plug; with strain relief housing; 3-pole; Cod. A; 4,00 mm²; white



Item No.: 770-233/035-050

Plug; with strain relief housing; 3-pole; Cod. A; 4,00 mm²; white



Item No.: 770-135

Plug; with strain relief housing; 5-pole; Cod. A; 4,00 mm²; white



Item No.: 770-335

Plug; with strain relief housing; 5-pole; Cod. A; 4,00 mm²; white

1.2 Optional Accessories

1.2.1 Installation

1.2.1.1 Mounting accessories



Item No.: 899-680

Mounting plate; for distribution boxes; gray

Installation Notes

Installation

