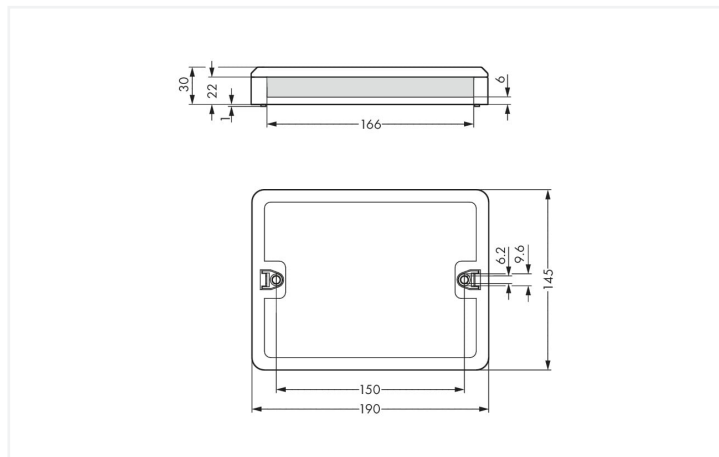




Color: ■ white

Similar to illustration



Dimensions in mm

Empty housings WINSTA®

Thanks to the empty housings from the WINSTA® product line, zero-defect installation is guaranteed. You can rely on the quality of WINSTA® components from WAGO for your electrical installation accessories too.

WINSTA® solutions for your electrical installation – maintenance-free

The WINSTA® Pluggable Connection System allows pluggable electrical installation. This saves time, lowers costs, and reduces the need for servicing. Choose durability and quality – the WINSTA® distribution box from WAGO makes the installation of electrical components noticeably easier.

- intuitive distribution box marking
- products perfectly tailored to your requirements guarantee safe use
- convenient installation and commissioning

Notes

Note	For easy cable connection, do not arrange the connectors directly next to each other in the distribution box.
------	---

Physical data

Width	190 mm / 7.48 inches
Height	30 mm / 1.181 inches
Depth	145 mm / 5.709 inches

Mechanical data

Application	Self-Assembly
Mounting type	Wall, screw mount Installation on mounting plate

Material data

Note (material data)	Information on material specifications can be found here
Color	white
Insulation material	Polyamide (PA66)
Flammability class per UL94	V0
Fire load	5.396 MJ
Weight	196.3 g

Environmental requirements

Processing temperature	-5 ... +40 °C
Continuous operating temperature	-35 ... +85 °C
Note on continuous operating temperature	Insulating parts for temperatures ≤ 105 °C

Commercial data

eCl@ss 10.0	27-44-06-03
eCl@ss 9.0	27-44-06-03
ETIM 8.0	EC002567
ETIM 7.0	EC002567
PU (SPU)	1 pcs
Packaging type	Box
Country of origin	DE
GTIN	4055143315661
Customs tariff number	85366990990

Environmental Product Compliance

RoHS Compliance Status	Compliant, No Exemption
------------------------	-------------------------

Downloads



Environmental Product Compliance

Compliance Search

Environmental Product Compliance 899-681	
--	---

Documentation

Bid Text

899-681	19.02.2019	xml 2.94 KB	
899-681	16.03.2015	doc 24.00 KB	

1 Compatible Products

1.1 Optional Accessories

1.1.1 Installation

1.1.1.1 Mounting accessories



Item No.: 770-630

Fixing pin; for distribution boxes; Plastic; gray



Item No.: 890-302

Mounting carrier; 2-pole; for sockets and plugs; Plastic; gray



Item No.: 890-303

Mounting carrier; 3-pole; for sockets and plugs; Plastic; gray



Item No.: 890-304

Mounting carrier; 4-pole; for sockets and plugs; Plastic; gray



Item No.: 890-305

Mounting carrier; 5-pole; for sockets and plugs; Plastic; gray



Item No.: 899-680

Mounting plate; for distribution boxes; gray

Installation Notes

Installation



Application



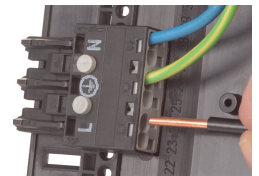
The set includes: 1 bottom, 1 lid, 2 side-walls and 16 mounting pins.



Remove unrequired sections from the side-walls.



Unassigned slots and spaces are closed by inserting a side-wall.



Using mounting pins to secure WINSTA® MIDI connectors in a distribution box .



Using adapters to install WINSTA® MINI connectors in a distribution box