
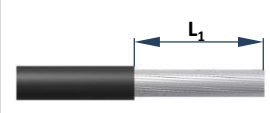

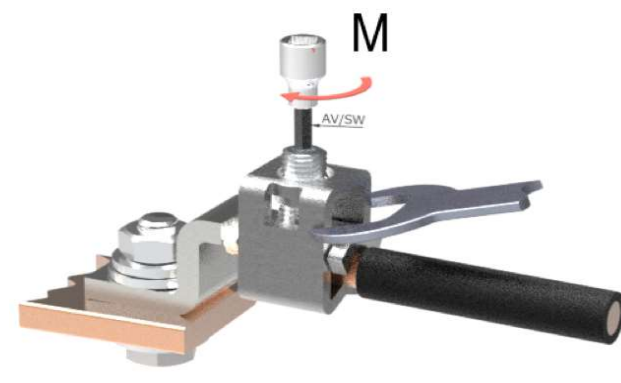


| Product data | | | | | | | |
|---|------------------------|---------------------|--|--|---------------------|---------------------|---------------------|
| Product code | Product name | | | $I_{n Al}$ | $I_{n Cu}$ | U_n | |
| VC01-0008 | OL 70-185 Z | | | 400 A | 400 A | - | |
| | | | | $I_{max Al}$ | $I_{max Cu}$ | U_{max} | |
| | | | | - | - | - | |
| Installation | | | | | | | |
| Type | Screw M10 | | | | | | |
| OL-Connectors are suitable for Aluminium- and Copper conductors. The conductor is mounted under tin plated copper busbar. See picture -> | | | |  | | | |
| - Strip cable, see stripping length L_1 (table below) - Remove any layers of oxide. - Segmental conductors have to be rounded before mounting. | | | | | | | |
| Connection | | | | | | | |
| Screw head for tool | SW | 5 mm | Conductors | 1xAl/Cu 70-185 mm² | | | |
| Tightening torque M | 70-185 mm ² | 40 Nm | Stripping length | L_1 32±2 mm | | | |
| | - | - |  | | | | |
| | - | - | | | | | |
| | - | - | | | | | |
|  | | | |  | | | |
| Mounting to busbar: - Be sure that there are no burrs around the hole. - Length of the screw depends on the busbar thickness. - Use standard screws, nuts and washers. (Plated with Zn) - Recommended torque for M10 is 30-44 Nm | | | | - Tighten the screw with torque M - Support connector during tightening. | | | |
| Wiring, pcs / connection, Cu(Al) | | | | | | | |
| 1,5 mm ² | 2,5 mm ² | 6 mm ² | 10 mm ² | 16 mm ² | 25 mm ² | 35 mm ² | 50 mm ² |
| - | - | - | - | - | - | - | - |
| 70 mm ² | 95 mm ² | 120 mm ² | 150 mm ² | 185 mm ² | 240 mm ² | 300 mm ² | 400 mm ² |
| 2(1) | 2(1) | 1(1) | 1(1) | 1(1) | - | - | - |

Ouneva Oy

Teollisuustie 21

FI-82730 Tuupovaara

Finland

Tel. +358 400 179 750

info@ouneva.fi
www.ounevagroup.fi
www.ounevaproducs.fi