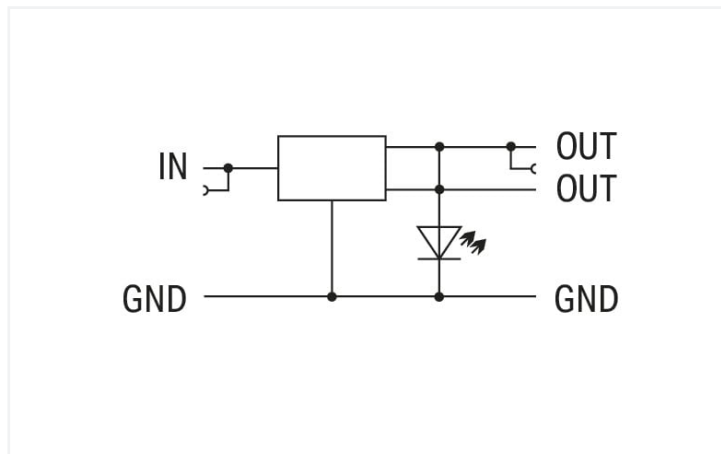
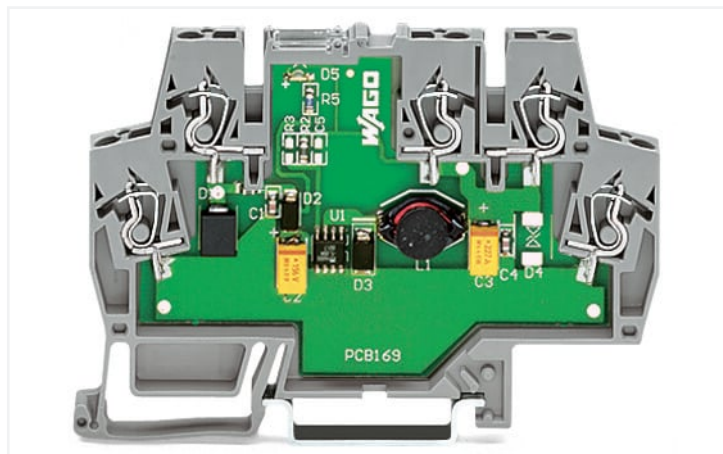


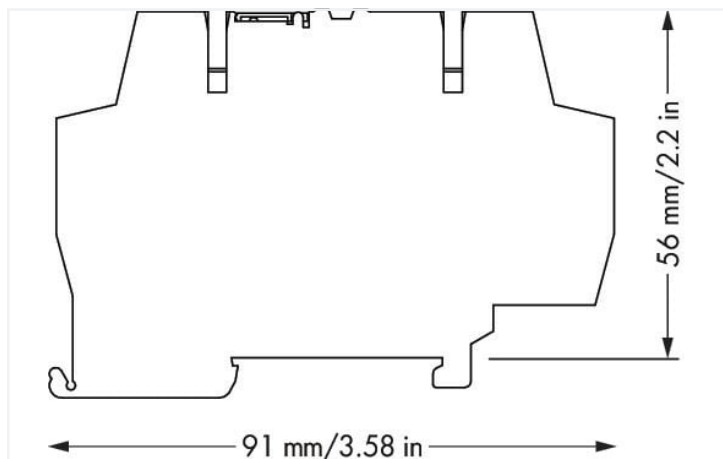
Data Sheet | Item Number: 859-806

DC/DC Converter; 12 VDC input voltage; 12 VDC output voltage; 0.5 A output current

<https://www.wago.com/859-806>



Similar to illustration



Dimensions in mm

Technical data

Input

Nominal input voltage $U_{i, \text{nom}}$	DC 12 V
Input voltage range	DC 8 ... 16 V
Nominal mains frequency range	0 Hz
Mains failure hold-up time	≥ 0.5 ms

Output

Nominal output voltage $U_{o, \text{nom}}$	DC 12 V
Output voltage range	$\pm 2\%$
Nominal output current $I_{o, \text{nom}}$	0.5 A
Operating voltage feedthrough	$\leq 0.2\%$
Load regulation	$\leq 0.5\%$
Residual ripple	≤ 100 mV
Switching frequency	400 kHz (Nominal)
Overload behavior	1 A, max. 1 min (permanent overload leads to the destruction of the module); short-circuit-protected

Signaling and communication

Signaling	1 x LED
-----------	---------

Efficiency/power losses

Efficiency (typ.)	89 %
-------------------	------

Circuit protection

Internal fuse	2 A (slow)
---------------	------------

Safety and protection

Protection class	III
Protection type	IP20; per EN 60529
Reverse voltage protection	Yes
Pollution degree	2
Series operation	No

Connection data

Number of jumper slots	2
Connection technology	CAGE CLAMP®
WAGO connector	WAGO 859 Series
Solid conductor	0.08 ... 2.5 mm ² / 28 ... 14 AWG
Fine-stranded conductor	0.08 ... 2.5 mm ² / 28 ... 14 AWG
Strip length	5 ... 6 mm / 0.2 ... 0.24 inches

Physical data

Width	6 mm / 0.236 inches
Height	91 mm / 3.583 inches
Height from upper-edge of DIN-rail	56 mm / 2.205 inches
Depth	91 mm / 3.583 inches
Depth from upper-edge of DIN-rail	56 mm / 2.205 inches

Mechanical data

Housing design	Rail-mount terminal block
Mounting type	DIN-35 rail

Material data

Fire load	0.338 MJ
Weight	23 g

Environmental requirements

Ambient temperature (operation)	0 ... +40 °C
Relative humidity	5 ... 85 % (non-condensing)
Operating altitude (max.)	2000 m
Temperature range of connection cable	≥ (T _{ambient} + 15 K)

Standards and specifications

Conformity marking	CE
Standards/specifications	EN 61000-6-2 EN 61000-6-4

Commercial data

Product Group	6 (INTERFACE ELECTRONIC)
ETIM 8.0	EC002540
ETIM 7.0	EC002540
PU (SPU)	25 (1) pcs
Packaging type	Box
Country of origin	DE
GTIN	4050821771050
Customs tariff number	85044083900

Environmental Product Compliance

CAS-No.	11120-22-2 1303-86-2 1317-36-8 7439-92-1 75980-60-8 79-94-7
REACH Candidate List Substance	2,2',6,6'-tetrabromo-4,4'-isopropylidenediphenol Diboron trioxide Lead Lead monoxide Lead silicate Phosphine oxide, diphenyl(2,4,6-trimethylbenzoyl)-
RoHS Compliance Status	Compliant,With Exemption
RoHS Exemption	6(c) 7(a) 7(c)-I 7(c)-II
SCIP notification number (Bulgaria)	cdcf6297-e839-4ee1-b127-53c6f15125ac
SCIP notification number (Czech Republic)	93fda6ae-0e9c-4226-b0dc-ac7a27622ff9

Approvals / Certificates

General approvals



Approval	Standard	Certificate Name
EAC Brjansker Zertifizierungsstelle	TP TC 020/2011	EAC_Certificate_RU_C-DE.AM02.B.00115_19
UL Underwriters Laboratories Inc. (ORDINARY LOCATIONS)	UL 508	E175199 Sec.4

Declarations of conformity and manufacturer's declarations

Approval	Standard	Certificate Name
EU-Declaration of Conformity WAGO GmbH & Co. KG	-	-
UK-Declaration of Conformity WAGO GmbH & Co. KG	-	-

Downloads

Environmental Product Compliance

Compliance Search

Environmental Product
Compliance 859-806

