

Product data

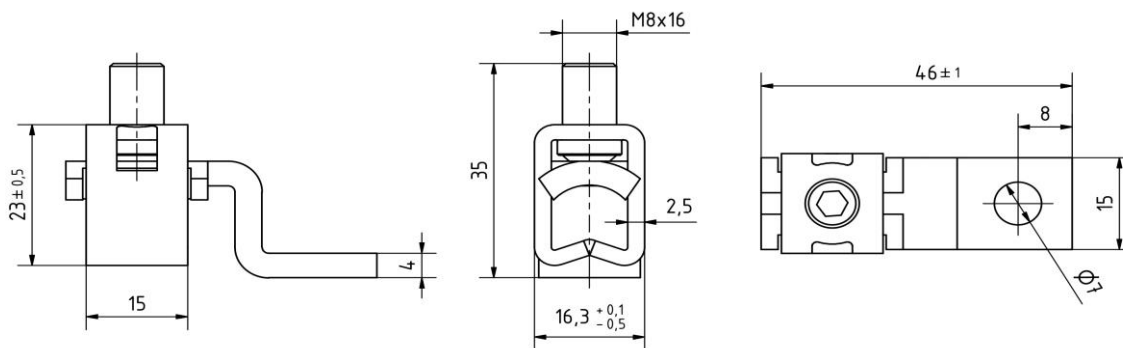
Product code	VC01-0007	STK-code	1912387	EAN-code	6410019123876
Product name	OL 6-70MZ			ETIM class	EC000897
Wires	1xAl/Cu 6-70 mm ²				

Technical data

Nominal current (IEC)	Cu	270	A
	Al	270	A
		-	
		-	
		-	
Number of poles		1	pcs
Max. Cross section		70	mm ²
Tightening torque			
	6-70 mm ²	5,6	Nm
		-	
		-	
		-	
Operating temperature		80	°C
		-	
		-	
Standards	UL 486E		
Color / Material	Stainless steel/ Tin plated copper		
Mounting / Connection	Screw M8		


Description

OL-connectors are designed to be used connecting aluminium and copper conductors. Frames are made of stainless steel and busbars of tin plated copper.

Drawing

Package

Package	Box	Pcs / Package	30	Weight [kg]	1,40
Length [mm]	86	Width [mm]	68	Height [mm]	82

Ouneva Oy

Teollisuustie 21
FI-82730 Tuupovaara
Finland

www.ounevagroup.fi

www.ounevaproducts.fi