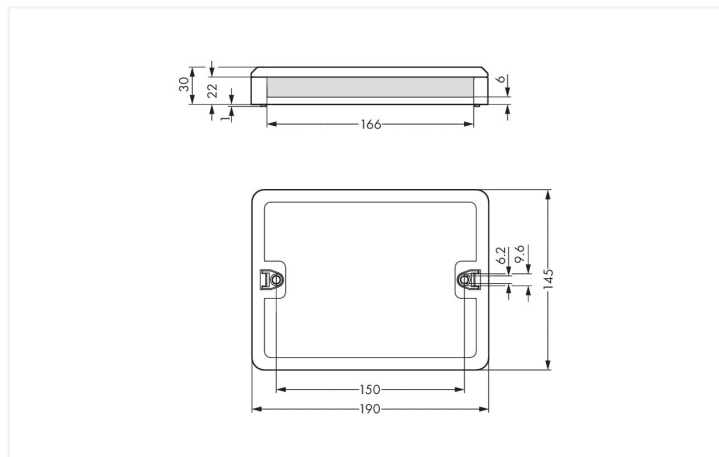
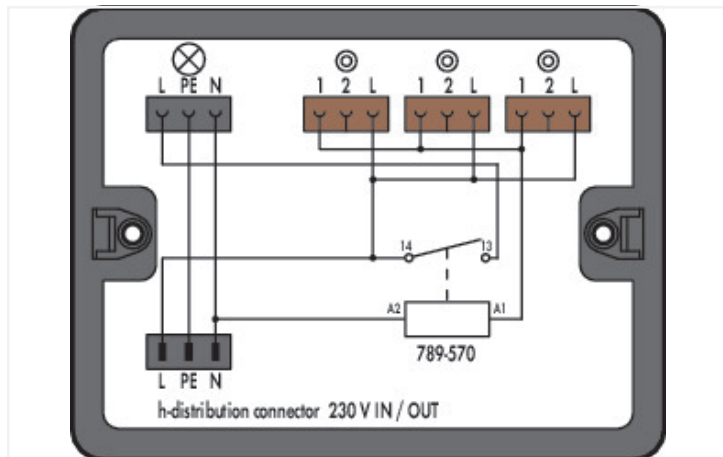


Data Sheet | Item Number: 899-632/101-000

Distribution box; Surge switch circuit; 1 input; 4 outputs; Cod. A, S; MIDI; black

<https://www.wago.com/899-632/101-000>



Color: ■ black

Dimensions in mm

Distribution box WINSTA® with protection type IP20

The distribution box from the WINSTA® product line with protection against mismatching guarantees you the maximum flexibility in electrical installation. An extensive range of accessories complements the WINSTA® product line from WAGO. For greater protection in electrical installations, the distribution box is provided with mechanical protection against mismatching. The distribution box is protected in accordance with protection type IP20 (When mated: IP2xC (These compact connectors are not designed for use in open, easily accessible areas!)). This means that users' fingers will never come into contact with electrified contact elements. The WINSTA® distribution box with A coding in white or black is usually used for general mains applications in power distribution.

WINSTA® solutions for your electrical installation – protected against mismatching and maintenance-free

WINSTA® is the pluggable connection system that is optimally tailored to the strict requirements of electrical installation. It ensures fast, secure and, above all, error-free installation of components and cables. Choose quality and durability – with protection against mismatching from WAGO makes the electrical installation of electrical components noticeably easier.

- distribution boxes with protection against mismatching
- clear slot identification for easy commissioning
- saves time, since no wiring is required at the construction site
- with A coding for use in a large number of general mains applications
- quick replacement of defective units during ongoing operation

Electrical data

Ratings per	IEC/EN 60664-1		
Overvoltage category	III	III	II
Pollution degree	3	2	2
Nominal voltage	250 V	-	-
Rated surge voltage	4 kV	-	-
Rated current	16 A	-	-

General information

Note on contact resistance	approx. 1 mΩ contact resistance approx. 0.25 mΩ contact transition (plug/ socket)
----------------------------	---

Physical data

Width	190 mm / 7.48 inches
Height	30 mm / 1.181 inches
Depth	145 mm / 5.709 inches

Mechanical data

Internal wiring	2.5 mm ²
Application	Latching Relay
Coding	A
Coding 2	S
Mounting type	Wall, screw mount Installation on mounting plate
Protection type	IP20; When mated: IP2xC (These compact connectors are not designed for use in open, easily accessible areas!)

Plug-in connection

Mismating protection	Yes
Note on mismating protection	All <i>WINSTA</i> ® components are 100% protected against mismating when: <ul style="list-style-type: none"> a.) plugging different numbers of poles b.) plugging while rotated 180 c.) plugging while laterally staggered d.) plugging one pole
Locking of plug-in connection	Locking lever

Material data

Note (material data)	Information on material specifications can be found here
Color	black
Insulation material	Polyamide (PA66)
Flammability class per UL94	V0
Contact material	Copper or copper alloy; surface-treated
Contact plating	Tin
Fire load	8.269 MJ
Weight	438 g

Environmental requirements

Processing temperature	-5 ... +40 °C
Continuous operating temperature	-35 ... +85 °C
Note on continuous operating temperature	Insulating parts for temperatures ≤ 105 °C

Commercial data

eCl@ss 10.0	27-44-06-03
eCl@ss 9.0	27-44-06-03
ETIM 8.0	EC002567
ETIM 7.0	EC002567
PU (SPU)	1 pcs
Packaging type	Box
Country of origin	DE
GTIN	4055143306485
Customs tariff number	85366990990

Environmental Product Compliance

RoHS Compliance Status	Compliant, No Exemption
------------------------	-------------------------

Downloads

Environmental Product Compliance

Compliance Search

Environmental Product Compliance 899-632/101-000	↓
---	---

Documentation

Bid Text

899-632/101-000	19.02.2019	xml 3.56 KB	↓
899-632/101-000	11.03.2015	doc 25.50 KB	↓

1 Compatible Products

1.1 System counterpart

1.1.1 Cable assembly



Item No.: 771-9993/206-101
pre-assembled connecting cable; Eca; Plug/open-ended; 3-pole; Cod. A; H05VV-F 3G 1.5 mm²; 1 m; 1,50 mm²; black



Item No.: 771-9973/206-105
pre-assembled connecting cable; Eca; Plug/open-ended; 3-pole; Cod. S; H05VV-F 3 x 1.5 mm²; 1 m; 1,50 mm²; brown



Item No.: 771-9993/106-101
pre-assembled connecting cable; Eca; Socket/open-ended; 3-pole; Cod. A; H05VV-F 3G 1.5 mm²; 1 m; 1,50 mm²; black



Item No.: 771-9993/006-101
pre-assembled interconnecting cable; Eca; Socket/plug; 3-pole; Cod. A; H05VV-F 3G 1.5 mm²; 1 m; 1,50 mm²; black



Item No.: 771-9973/006-105
pre-assembled interconnecting cable; Eca; Socket/plug; 3-pole; Cod. S; H05VV-F 3 x 1.5 mm²; 1 m; 1,50 mm²; brown

1.1.2 Female connector/socket



Item No.: 770-203
Socket; 3-pole; Cod. A; 4,00 mm²; black



Item No.: 770-103
Socket; with strain relief housing; 3-pole; Cod. A; 4,00 mm²; black



Item No.: 770-203/035-000
Socket; with strain relief housing; 3-pole; Cod. A; 4,00 mm²; black

1.1.3 Male connector/plug



Item No.: 770-1373
Plug; 3-pole; 4,00 mm²; brown



Item No.: 770-213
Plug; 3-pole; Cod. A; 4,00 mm²; black



Item No.: 770-113
Plug; with strain relief housing; 3-pole; Cod. A; 4,00 mm²; black



Item No.: 770-213/035-000
Plug; with strain relief housing; 3-pole; Cod. A; 4,00 mm²; black

1.2 Optional Accessories

1.2.1 Installation

1.2.1.1 Mounting accessories



Item No.: [899-680](#)

Mounting plate; for distribution boxes; gray

Installation Notes

Installation

