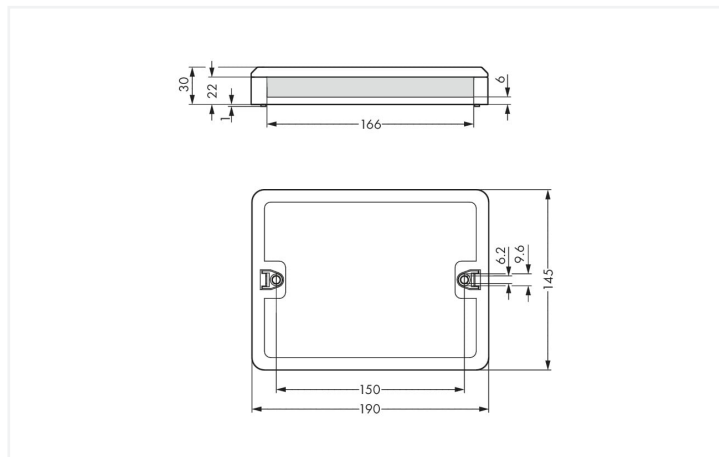




Color: ■ black



Dimensions in mm

Empty housings WINSTA®

Choose tried-and-tested sustainability for the electrical installation at your construction site: The empty housings from the WINSTA® product line. With WAGO, you get enjoy the advantages of a large selection of accessories for the WINSTA® product line.

Push-in CAGE CLAMP® spring pressure connection technology – pluggable installation instead of laborious screw connections!

The WINSTA® Pluggable Connection System allows pluggable electrical installation. This saves time, lowers costs, and reduces the need for servicing. Enjoy the benefits of the pluggable version of our maintenance-free spring pressure connection technology too! Plan your installation with with protection against mismatching from WAGO.

- intuitive marking
- saves time, since no wiring is required at the construction site
- quick replacement of defective units during ongoing operation

Notes

| | |
|------|---|
| Note | For easy cable connection, do not arrange the connectors directly next to each other in the distribution box. |
|------|---|

Physical data

| | |
|--------|-----------------------|
| Width | 190 mm / 7.48 inches |
| Height | 30 mm / 1.181 inches |
| Depth | 145 mm / 5.709 inches |

Mechanical data

| | |
|---------------|---|
| Application | Self-Assembly |
| Mounting type | Wall, screw mount Installation on mounting plate |

Material data

| | |
|-----------------------------|--|
| Note (material data) | Information on material specifications can be found here |
| Color | black |
| Insulation material | Polyamide (PA66) |
| Flammability class per UL94 | V0 |
| Fire load | 5.783 MJ |
| Weight | 186.8 g |

Environmental requirements

| | |
|--|--|
| Processing temperature | -5 ... +40 °C |
| Continuous operating temperature | -35 ... +85 °C |
| Note on continuous operating temperature | Insulating parts for temperatures ≤ 105 °C |

Commercial data

| | |
|-----------------------|---------------|
| eCl@ss 10.0 | 27-44-06-03 |
| eCl@ss 9.0 | 27-44-06-03 |
| ETIM 8.0 | EC002567 |
| ETIM 7.0 | EC002567 |
| PU (SPU) | 1 pcs |
| Packaging type | Box |
| Country of origin | DE |
| GTIN | 4055143315623 |
| Customs tariff number | 85366990990 |


Environmental Product Compliance

| | |
|------------------------|-------------------------|
| RoHS Compliance Status | Compliant, No Exemption |
|------------------------|-------------------------|

Downloads

Environmental Product Compliance

Compliance Search

| | |
|--|---|
| Environmental Product Compliance 899-632 |  |
|--|---|

Documentation

Bid Text

| | | | |
|---------|------------|-----------------|---|
| 899-632 | 19.02.2019 | xml 3.10 KB |  |
| 899-632 | 16.03.2015 | doc 24.00 KB |  |

1 Compatible Products

1.1 Optional Accessories

1.1.1 Installation

1.1.1.1 Mounting accessories



Item No.: 770-630

Fixing pin; for distribution boxes; Plastic; gray



Item No.: 890-302

Mounting carrier; 2-pole; for sockets and plugs; Plastic; gray



Item No.: 890-303

Mounting carrier; 3-pole; for sockets and plugs; Plastic; gray



Item No.: 890-304

Mounting carrier; 4-pole; for sockets and plugs; Plastic; gray



Item No.: 890-305

Mounting carrier; 5-pole; for sockets and plugs; Plastic; gray



Item No.: 899-680

Mounting plate; for distribution boxes; gray

Installation Notes

Installation



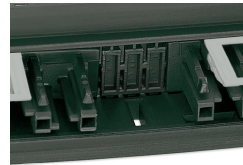
Application



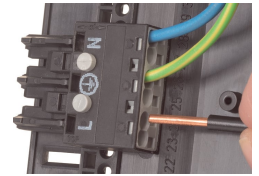
The set includes: 1 bottom, 1 lid, 2 side-walls and 16 mounting pins.



Remove unrequired sections from the side-walls.



Unassigned slots and spaces are closed by inserting a side-wall.



Using mounting pins to secure WINSTA® MIDI connectors in a distribution box .



Using adapters to install WINSTA® MINI connectors in a distribution box