

# Presence detector, KNX®, 4 channels, 24 m, IP54, for surface mounting, white

350-41731



4 year warranty



KNX®



master/secondary



IP54



10 lx – 2,000 lx



360°



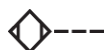
ø 24 m from a height of 3 m



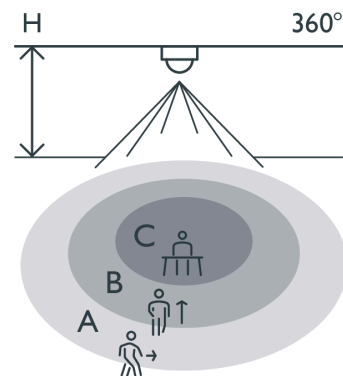
2 m – 3.4 m



surface-mounting



## Detection range



H	A Across	B Towards	C Presence
2 m	ø 16 m	ø 10 m	ø 4 m
2.5 m	ø 20 m	ø 12 m	ø 5 m
3 m	ø 24 m	ø 14 m	ø 6 m

Presence detector with daylight control, 360°, KNX®, for surface-mounting on ceilings. It can be easily mounted with sufficient cabling space and easily accessible terminals. Adjustable as standalone, master or secondary. To increase the detection range, a detector set as a master can be combined with one or more detectors set as secondary detectors. The presence detector has a large detection range of 24 m from a height of 3 m. You can quickly and easily set the parameters and functions of the detector using the ETS software. You can choose from different configuration methods with a decreasing degree of pre-programming: Basic, Optimisation or Advanced. For use in offices, conference rooms, corridors, hospitals ... The detector has 4 individual zones, of which 1 to 3 are daylight controlled and 1 extra zone for separate on/off control. Suitable for KNX® bus system and can be combined with other KNX® components.

Colour: white

Compatible secondary detectors: 350-41731

Compatible master detectors:

- Easy to mount with enough space for the cabling and clamps easily accessible.
- Adjustable as self-standing, master or secondary detector. To increase the detection range, you can combine a detector configured as a master with one or more detectors configured as secondary detectors.
- Large detection range from 24 m to 3m in height

- Fast and easy to set the parameters and functions using the ETS software
- Choice of different methods of configuring the increasing degree of pre-programming: basic, optimisation or advanced.

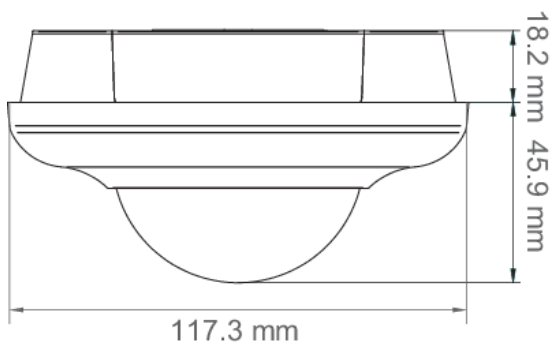
For use in offices, meeting rooms, corridors, hospitals, etc.

- The detector has four different zones, one to three of which are daylight control and one additional zone for different activation/disabling.
- Compatible with the KNX bus system and can be combined with other KNX components.
- The (optional) IR remote control allows you to modify the local settings of the lux level, the switch-off delay, the orientation lighting, the sensitivity, the choice between automatic or manual calibration, the scene programming, the switch-off delay, the orientation lighting, the sensitivity, etc.
- If a push button is used, you have the option of turning (all the lights or just one zone) on and off manually, dim the intensity, activate scenes, etc.

## Technical features

Compatible secondary detectors	350-41731
Configuration	master/secondary
Input voltage	30 Vdc via KNX®-bus
Detector output	KNX®
Maximum current consumption	10 mA
Switch-off delay	1 sec – 918,000 sec
Detection angle	360 °
Detection range (PIR)	ø 24 m from a height of 3 m
Minimum ambient temperature	-5 °C
Maximum ambient temperature	+50 °C
Mounting method	surface mounting
Mounting height	2 m – 3.4 m
Colour	white
Dimensions (HxWxD)	117.3 mm x 117.3 mm x 64.1 mm
Protection degree standalone	IP54
Impact resistance	IK04

## Dimensions



## Wiring diagram

