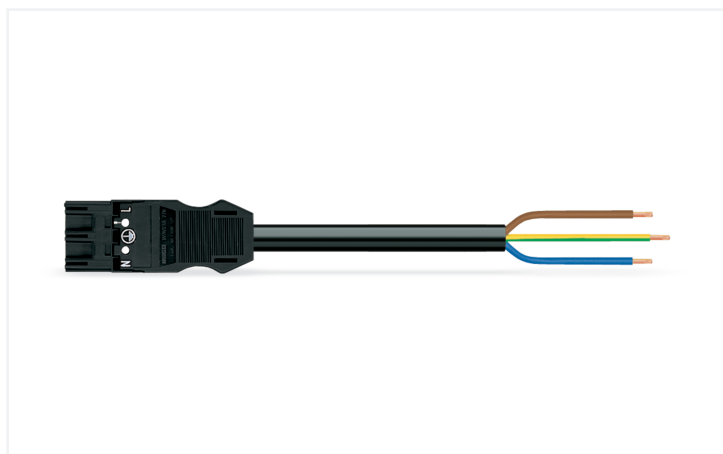


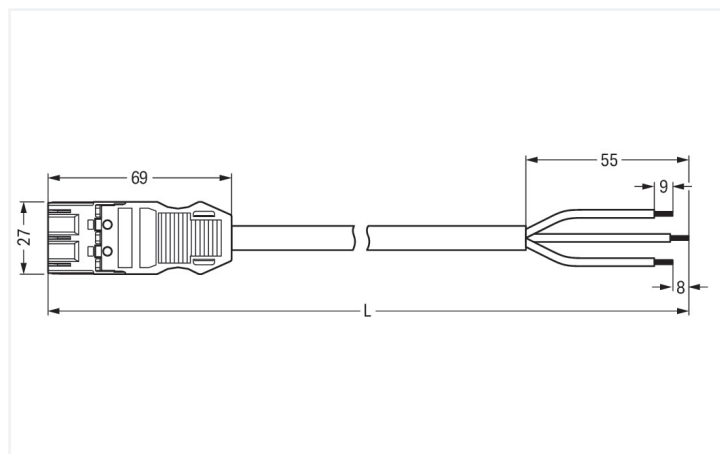
## Data Sheet | Item Number: 771-9993/206-701

pre-assembled connecting cable; Eca; Plug/open-ended; 3-pole; Cod. A; H05VV-F  
3G 1.5 mm<sup>2</sup>; 7 m; 1,50 mm<sup>2</sup>; black

<https://www.wago.com/771-9993/206-701>



Color: ■ black



Dimensions in mm

Cable assembly WINSTA® MIDI with protection type IP20

For signal and power transmission: The WINSTA® MIDI cable assembly with protection type IP20. WAGO pluggable installation connectors are used when criteria repeat or are distributed on a specific grid, for example for installing grid lighting or flush-mount lighting. The color coding and mechanical coding of the pluggable installation connector ensure error-free installation of the individual components – including protection against mismatching. The pluggable installation connector is protected against ingress by solid objects in accordance with protection type IP20 (When mated: IP2xC (These compact connectors are not designed for use in open, easily accessible areas!)). Thanks to the color coding and mechanical A coding of WINSTA® MIDI pluggable installation connectors, you can clearly distinguish different circuits. The WINSTA® MIDI Pluggable Connection System with Push-in CAGE CLAMP® spring pressure connection technology facilitates safe electrification. Thanks to the integrated test slot, it is possible to check connections even when they are plugged in. That saves time and reduces installation labor and expense. According to the European CPR, the fire class of the cables used in construction is critical for the safety of buildings, too. For buildings with average safety requirements, cable assemblies with fire class E are suitable.

Fast, secure pluggable connections – cable assemblies from WAGO

The cable assembly is provided with a plug and a free end. The WINSTA® Pluggable Connection System allows pluggable electrical installation. This significantly reduces the need for servicing and lowers costs. Enjoy the benefits of the pluggable version of our maintenance-free spring pressure connection technology too! Plan your installation with with strain relief hosting from WAGO.

- protection against mismatching eliminates errors
- pre-assembled versions
- with A coding for use in many general mains applications
- custom-engineered solutions
- convenient installation and commissioning

### Notes

Note

Cables with a different fire class can be found in the eShop.

## Electrical data

| Ratings per                     | IEC/EN 60664-1 |     |    |
|---------------------------------|----------------|-----|----|
| Overvoltage category            | III            | III | II |
| Pollution degree                | 3              | 2   | 2  |
| Nominal voltage                 | 250 V          | -   | -  |
| Rated impulse withstand voltage | 4 kV           | -   | -  |
| Rated current                   | 16 A           | -   | -  |

## General information

|                            |                                                                                          |
|----------------------------|------------------------------------------------------------------------------------------|
| Note on contact resistance | approx. 1 mΩ of contact resistance<br>approx. 0.25 mΩ contact transition plug/<br>socket |
|----------------------------|------------------------------------------------------------------------------------------|

## Connection Data

|                            |                           |
|----------------------------|---------------------------|
| Total number of potentials | 3                         |
| PE function                | Preceding PE contact      |
| Conductor preparation      | ultrasonically tip-bonded |

## Connection 1

|                                 |                     |
|---------------------------------|---------------------|
| Strip length                    | 9 mm / 0.35 inches  |
| Pole number                     | 3                   |
| Wire cross-section              | 1.5 mm <sup>2</sup> |
| Strip length (outer insulation) | 55 mm               |
| Connection type                 | Plug - free end     |

## Physical data

|              |                        |
|--------------|------------------------|
| Pin spacing  | 10 mm / 0.394 inches   |
| Width        | 27 mm / 1.063 inches   |
| Height       | 12.9 mm / 0.508 inches |
| Total length | 7 m                    |

## Mechanical data

|                                         |                                                                                                               |
|-----------------------------------------|---------------------------------------------------------------------------------------------------------------|
| Use                                     | General mains applications                                                                                    |
| Coding                                  | A                                                                                                             |
| Variable coding                         | Yes                                                                                                           |
| Marking                                 | L ⊕ N                                                                                                         |
| Potential marking                       | L ⊕ N                                                                                                         |
| Mating force of a plug-in connection    | approx. 20 ... 70 N (depending on pole number)                                                                |
| Retention force of a plug-in connection | when locked: > 80N                                                                                            |
| Unmating force of a plug-in connection  | when unlocked: approx. 20 ... 70 N (depending on pole number)                                                 |
| Number of mating cycles                 | 200, without resistive load                                                                                   |
| Connection type                         | Plug - free end                                                                                               |
| Type of pre-assembled cable             | Connecting cable                                                                                              |
| Cable type                              | H05VV-F 3G1.5                                                                                                 |
| Protection type                         | IP20; When mated: IP2xC (These compact connectors are not designed for use in open, easily accessible areas!) |

## Plug-in connection

|                               |                                                                                                                                                                                                                                                                                                                  |
|-------------------------------|------------------------------------------------------------------------------------------------------------------------------------------------------------------------------------------------------------------------------------------------------------------------------------------------------------------|
| Mismating protection          | Yes                                                                                                                                                                                                                                                                                                              |
| Note on mismating protection  | All <i>WINSTA</i> ® components are 100% protected against mismating when:<br>a.) plugging different numbers of poles<br>b.) plugging while rotated 180<br>c.) plugging while laterally staggered<br>d.) plugging one pole                                                                                        |
| Locking lever                 | Can be retrofitted                                                                                                                                                                                                                                                                                               |
| Locking of plug-in connection | Locking lever                                                                                                                                                                                                                                                                                                    |
| Note on locking system        | All connectors for mounted installations (snap-in versions for lighting fixtures or devices, all types of PCB and distribution connectors) are factory-equipped with locking levers to ensure plugs and sockets are securely locked. Additional locking levers are only required for flying leads (plug/socket). |

### Material data

|                                    |                                                                          |
|------------------------------------|--------------------------------------------------------------------------|
| Note (material data)               | <a href="#">Information on material specifications can be found here</a> |
| Color                              | black                                                                    |
| Insulation material (main housing) | Polyamide (PA66)                                                         |
| Fire class per EN 50575            | E <sub>ca</sub>                                                          |
| Contact material                   | Copper or copper alloy; surface-treated                                  |
| Contact Plating                    | Tin                                                                      |
| Fire load                          | 209.757 MJ                                                               |
| Connector color                    | black                                                                    |
| Strain relief color                | black                                                                    |
| Printing color of strain relief    | white                                                                    |
| Sheathed cable color               | black                                                                    |
| Printing color of sheathed cable   | white                                                                    |
| Halogen-free                       | No                                                                       |
| Silicon-free                       | Yes                                                                      |
| Sheath material                    | PVC                                                                      |
| Rubber cable                       | No                                                                       |
| Weight                             | 698.4 g                                                                  |
| Copper weight of the raw cable     | 0.043 kg/m                                                               |

### Environmental requirements

|                                          |                                                                                                       |
|------------------------------------------|-------------------------------------------------------------------------------------------------------|
| Processing temperature                   | -5 ... +40 °C                                                                                         |
| Continuous operating temperature         | -35 ... +85 °C                                                                                        |
| Note on continuous operating temperature | Cable for temperatures ≤ 70 °C (including halogen-free)<br>Insulating parts for temperatures ≤ 105 °C |

### Commercial data

|                       |               |
|-----------------------|---------------|
| Product Group         | 20 (Winsta)   |
| PU (SPU)              | 1 pcs         |
| Packaging type        | unpacked      |
| Country of origin     | DE            |
| GTIN                  | 4044918271271 |
| Customs tariff number | 85444290900   |

### Product Classification

|             |                      |
|-------------|----------------------|
| UNSPSC      | 26121629             |
| eCl@ss 10.0 | 27-44-06-04          |
| eCl@ss 9.0  | 27-44-06-04          |
| ETIM 9.0    | EC002587             |
| ETIM 10.0   | EC002587             |
| ECCN        | NO US CLASSIFICATION |

### Environmental Product Compliance

|                        |                         |
|------------------------|-------------------------|
| RoHS Compliance Status | Compliant, No Exemption |
|------------------------|-------------------------|

## Approvals / Certificates

### General approvals



| Approval                              | Standard | Certificate Name |
|---------------------------------------|----------|------------------|
| CCA<br>DEKRA Certification B.V.       | EN 61535 | NTR NL-7355      |
| KEMA/KEUR<br>DEKRA Certification B.V. | EN 61535 | 71-123834        |

### Declarations of conformity and manufacturer's declarations

| Approval                                                | Standard | Certificate Name |
|---------------------------------------------------------|----------|------------------|
| EU-Declaration of Confor-<br>mity<br>WAGO GmbH & Co. KG | -        | -                |
| UK-Declaration of Confor-<br>mity<br>WAGO GmbH & Co. KG | -        | -                |

## Downloads

### Environmental Product Compliance

#### Compliance Search

|                                                         |   |
|---------------------------------------------------------|---|
| Environmental Product<br>Compliance<br>771-9993/206-701 | ↓ |
|---------------------------------------------------------|---|

## Documentation

### Bid Text

|                  |            |                 |   |
|------------------|------------|-----------------|---|
| 771-9993/206-701 | 19.02.2019 | xml<br>2.98 KB  | ↓ |
| 771-9993/206-701 | 04.12.2014 | doc<br>25.00 KB | ↓ |

## CAD/CAE-Data

### CAD data

|                                  |   |
|----------------------------------|---|
| 2D/3D Models<br>771-9993/206-701 | ↓ |
|----------------------------------|---|

### CAE data

|                                       |   |
|---------------------------------------|---|
| EPLAN Data Portal<br>771-9993/206-701 | ↓ |
| WSCAD Universe<br>771-9993/206-701    | ↓ |
| ZUKEN Portal<br>771-9993/206-701      | ↓ |

## 1 Compatible Products

### 1.1 Required Accessories

#### 1.1.1 Locking system

##### 1.1.1.1 Locking system



**Item No.: 770-101**

Locking lever; for flying leads; for manual operation; black

**Item No.: 770-121**

Locking lever; for flying leads; for manual operation; white

**Item No.: 770-111**

Locking lever; for flying leads; for tool operation; black

**Item No.: 770-131**

Locking lever; for flying leads; for tool operation; white

### 1.2 Optional Accessories

#### 1.2.1 Cover

##### 1.2.1.1 Cover



**Item No.: 770-360**

Lockout cap; for plugs; 5-pole; separable; yellow

**Item No.: 897-2003**

Protective cap; Type2; for sockets and plugs; PVC; red

#### 1.2.2 Installation

##### 1.2.2.1 Mounting accessories



**Item No.: 770-310**

Mounting carrier; 2- to 5-pole; for flying leads; black

#### 1.2.3 Marking

##### 1.2.3.1 Marker



**Item No.: 770-450/000-006**

Marker card; Plastic; blue

**Item No.: 770-450/000-001**

Marker card; Plastic; green

**Item No.: 770-450/000-012**

Marker card; Plastic; orange

**Item No.: 770-450/000-005**

Marker card; Plastic; red



**Item No.: 770-450**

Marker card; Plastic; white

**Item No.: 770-450/000-002**

Marker card; Plastic; yellow

##### 1.2.3.2 Marking strip



**Item No.: 210-334**

Marking strips; as a DIN A4 sheet; Strip width 5 mm; Strip length 182 mm; plain; Self-adhesive; white