

RefLED Superia Retro ES50 V3 360LM DIM 865 36 SL

Item No: 0029130

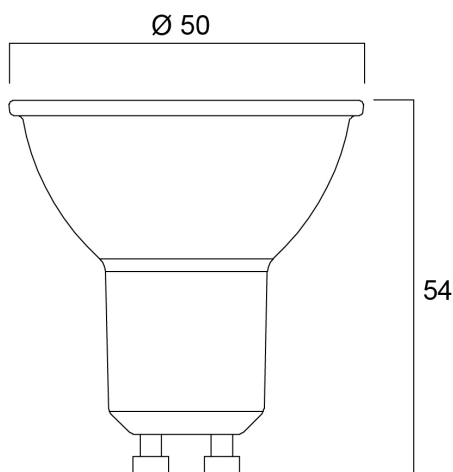
SYLVANIA



Premium performance professional LED GU10 range with the same look and feel of traditional halogen GU10 lamp
Recreates backlight effect similar to halogen dichroic lamps Full glass design - means no colours clashing between lamp and fixture Very long lifetime of up to 25,000 hours COOLFIT functionality – ensures overheat and over temperature protection High switching cycles: >100,000 High colour rendering: CRI80 Dimmable with approved dimmers Warranty: 5 Years

Technical Assets

Dimensions (mm)



Photometrics

RefLED Superia Retro ES50 V3 360LM DIM 865 36 SL

Item No: 0029130



General data

| | |
|--|--|
| Product name | RefLED Superia Retro ES50 V3 360LM DIM 865 36 SL |
| Technology | LED |
| Watt (Rated) (W) | 4.5 |
| Fixture rating | Open |
| General application | Education, Hospitality, Museums & Galleries, Office, Residential & Consumer, Retail |
| Operating temperature range (°C) | -20°C...+50°C |
| Performance ambient temperature Tq (°C) | 25 |
| ETIM Class | EC001959 |
| E-number FI | 4741024 |
| Warranty | 5 years |

Optical data

| | |
|---|----------|
| Useful luminous flux (Φuse) | 360 |
| Correlated colour temperature (k) | 6500 |
| Light colour | Daylight |
| CRI (Ra) | 80 |
| Colour Consistency (SDCM) | 6 |
| Colour Variation Initial (SDCM) | SDCM6 |
| Luminous Intensity (cd) | 750 |
| Beam Angle (°) | 36 |
| Photobiological Risk Group | RG1 |
| Lumen maintenance at end of nominal life (%) | 70 |

Electrical data

| | |
|--|---------|
| Power consumption (W) | 4.5 |
| Wattage (W) | 4.5 |
| Equivalent watt (W) | 50 |
| Primary Supply/Product voltage - min (V) | 220 |
| Primary Supply/Product voltage - max (V) | 240 |
| Control gear required | No |
| No. Of switching cycles before premature failures | >100000 |
| Dimmable | Yes |
| Inrush Current (A) | 0.55 |
| Inrush Duration (µs) | 32 |
| Lamp Energy Label (class) | F |
| Max. products per 16A C Breaker | 762 |
| Max. products per 16A B Breaker | 762 |

Lifetime data

| | |
|----------------------------|-------|
| Lifespan L70 B50 | 25000 |
| Average life (Nominal) (h) | 25000 |
| Average life (Rated) (h) | 25000 |

Physical data

| | |
|-------------------------------|-------|
| Nominal Product Height (mm) | 54 |
| Nominal Product Diameter (mm) | 50 |
| Weight (kg) | 0.049 |

RefLED Superia Retro ES50 V3 360LM DIM 865 36 SL

Item No: 0029130



Packaging

| | |
|---------------------------------------|----------------|
| Product EAN number | 5410288291307 |
| Packaging single length / height (cm) | 8.2 |
| Packaging single width (cm) | 6.1 |
| Packaging single depth (cm) | 5.1 |
| DUN14 (inner) | 15410288291304 |
| Units per inner package | 6 |
| Packaging inner length / height (cm) | 19.4 |
| Packaging inner width (cm) | 11.3 |
| Packaging inner depth (cm) | 9.5 |
| DUN14 (outer) | 25410288291301 |
| Units per outer package | 60 |
| Packaging outer length / height (cm) | 58.8 |
| Packaging outer width (cm) | 21.8 |
| Packaging outer depth (cm) | 21.7 |

Safety data

| | |
|-------------------------------------|--------------------------------|
| Optimal operating condition (°C) | -20-50 |
| Breakage cleaning instructions | Not applicable |
| Special purpose lamp | No |
| Dry applications use only | Yes |
| Suitable for household illumination | Yes |
| Safety message | Dimmable with approved dimmers |