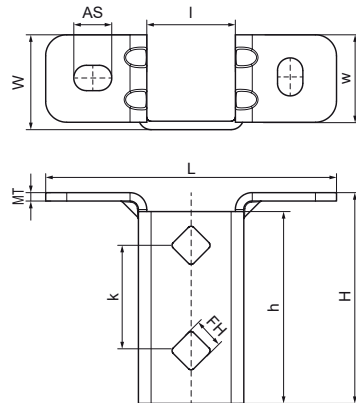


Walraven RapidStrut® Stainless Steel T-shape Base Plate

(M5310)

light base foot to connect fixing rails



Features & benefits

- highly flexible base plate for Walraven RapidStrut® rails
- open side of the rail can be turned to all sides
- extra safety by reinforced bending
- hole pattern is adapted to the hole pattern of Walraven RapidStrut® rails
- material: stainless steel 1.4401 (A4) - EN 10088, AISI 316



Product Number	For Rail Type	Total Height	Total Width	Total Length	Width	Height	Length	Heart To Heart Distance	Anchoring Slot	Fixing Hole	Material Thickness	Material Thickness 2	Maximum Allowed Load Faz
Reference letter		H	W	L	w	h	l	k	AS	FH	MT	MT2	F _{0,z}
Unit description		mm	mm	mm	mm	mm	mm	mm	mm	mm	mm	mm	N
66587361	41x21, 41x41	100	45	138	41.5	91	42	50	18x12	1,380	4.00	0	3,636