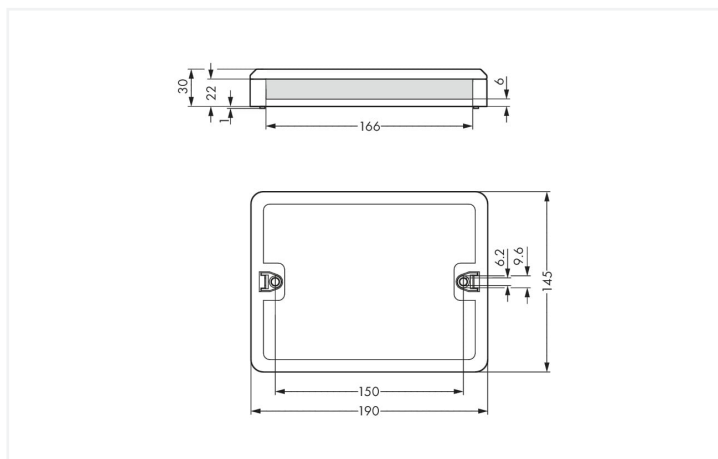
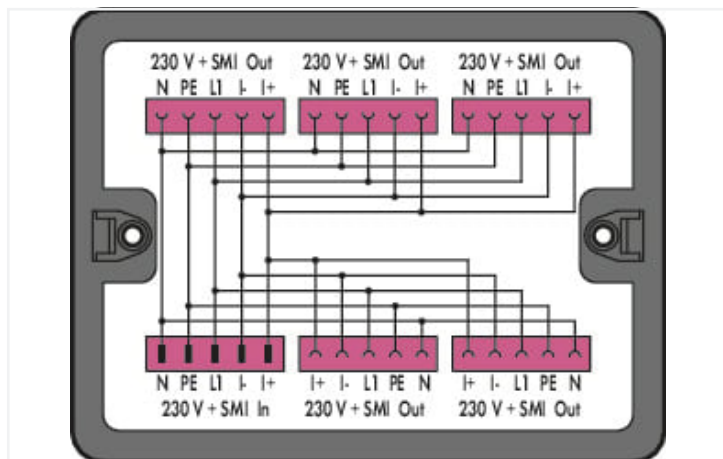


Data Sheet | Item Number: 899-631/421-000

Distribution box; 230 V + SMI; 1 input; 5 outputs; Cod. B; MIDI; black

<https://www.wago.com/899-631/421-000>



Color: ■ black

Dimensions in mm

Distribution box WINSTA® B coding

The distribution box from the WINSTA® product line with protection against mismatching is the advanced solution for reliable installation. A comprehensive range of accessories rounds out the WINSTA® product line from WAGO. For greater protection in electrical installations, the distribution box is provided with mechanical protection against mismatching. The distribution box is protected against ingress by solid objects in accordance with protection type IP20 (When mated: IP2xC (These compact connectors are not designed for use in open, easily accessible areas!)). The SMI (Standard Motor Interface) protocol is an interface for selecting electronic drives, such as those used in sun protection equipment (roller shutters or sun blinds). Solutions like the WINSTA® distribution boxes with B coding are suitable for process control, such as for lighting or in data networks. This distribution box can be used for a load of up to 20 A. Therefore, it can also be used for high power loads.

Push-in CAGE CLAMP® spring pressure connection technology – pluggable installation instead of laborious screw connections!

WINSTA® is the pluggable connection system that is optimally tailored to the strict requirements of electrical installation. It allows error-free installation of cables and components, quickly and reliably. Now you can also cut installation costs without compromising safety and quality: with protection against mismatching eliminates the need for servicing and prevents unnecessary downtime.

- protection against mismatching eliminates errors
- intuitive distribution box marking
- products perfectly tailored to your requirements guarantee safe use
- with B coding for use in process automation, such as lighting technology, among other examples
- fast, secure installation

Electrical data

Ratings per	IEC/EN 60664-1		
Overvoltage category	III	III	II
Pollution degree	3	2	2
Nominal voltage	250 V	-	-
Rated surge voltage	4 kV	-	-
Rated current	20 A	-	-

Ratings per IEC/EN 2	
Rated current 2	16 A

General information

Note on contact resistance	approx. 1 mΩ contact resistance approx. 0.25 mΩ contact transition (plug/ socket)
----------------------------	--

Physical data

Width	190 mm / 7.48 inches
Height	30 mm / 1.181 inches
Depth	145 mm / 5.709 inches

Mechanical data

Internal wiring	1.5 mm ² 2.5 mm ²
Technology	SMI
Application	SMI
Coding	B
Mounting type	Wall, screw mount Installation on mounting plate
Protection type	IP20; When mated: IP2xC (These compact connectors are not designed for use in open, easily accessible areas!)

Plug-in connection

Mismating protection	Yes
Note on mismating protection	All WINSTA® components are 100% protected against mismating when: a.) plugging different numbers of poles b.) plugging while rotated 180 c.) plugging while laterally staggered d.) plugging one pole
Locking of plug-in connection	Locking lever

Material data

Note (material data)	Information on material specifications can be found here
Color	black
Insulation material	Polyamide (PA66)
Flammability class per UL94	V0
Contact material	Copper or copper alloy; surface-treated
Contact plating	Tin
Fire load	17.134 MJ
Weight	441.1 g

Environmental requirements

Processing temperature	-5 ... +40 °C
Continuous operating temperature	-35 ... +85 °C
Note on continuous operating temperature	Insulating parts for temperatures ≤ 105 °C

Commercial data

eCl@ss 10.0	27-44-06-03
eCl@ss 9.0	27-44-06-03
ETIM 8.0	EC002567
ETIM 7.0	EC002567
PU (SPU)	1 pcs
Packaging type	Box
Country of origin	DE
GTIN	4055143305846
Customs tariff number	85366990990

Environmental Product Compliance

RoHS Compliance Status	Compliant, No Exemption
------------------------	-------------------------

Downloads

Environmental Product Compliance

Compliance Search	
Environmental Product Compliance 899-631/421-000	↓

Documentation

Bid Text			
899-631/421-000	19.02.2019	xml 3.47 KB	↓
899-631/421-000	11.03.2015	doc 26.00 KB	↓
ausschreiben.de 899-631/421-000			↓

CAD/CAE-Data

CAD data	
2D/3D Models 899-631/421-000	↓

1 Compatible Products

1.1 System counterpart

1.1.1 Cable assembly



Item No.: 771-9935/206-307/080-000
pre-assembled connecting cable; Eca; Plug/open-ended; 5-pole; Cod. B; H05VV-F 5G 1.5 mm²; 3 m; 1,50 mm²; pink



Item No.: 771-9935/106-107/080-000
pre-assembled connecting cable; Eca; Socket/open-ended; 5-pole; Cod. B; H05VV-F 5G 1.5 mm²; 1 m; 1,50 mm²; pink



Item No.: 771-9935/006-107/080-000
pre-assembled interconnecting cable; Eca; Socket/plug; 5-pole; Cod. B; H05VV-F 5G 1.5 mm²; 1 m; 1,50 mm²; pink

1.1.2 Female connector/socket



Item No.: 770-285/080-000
Socket; 5-pole; Cod. B; 4,00 mm²; pink

1.1.3 Male connector/plug



Item No.: [770-295/080-000](#)

Plug; 5-pole; Cod. B; 4,00 mm²; pink

1.2 Optional Accessories

1.2.1 Installation

1.2.1.1 Mounting accessories



Item No.: [899-680](#)

Mounting plate; for distribution boxes; gray

Installation Notes

Installation

