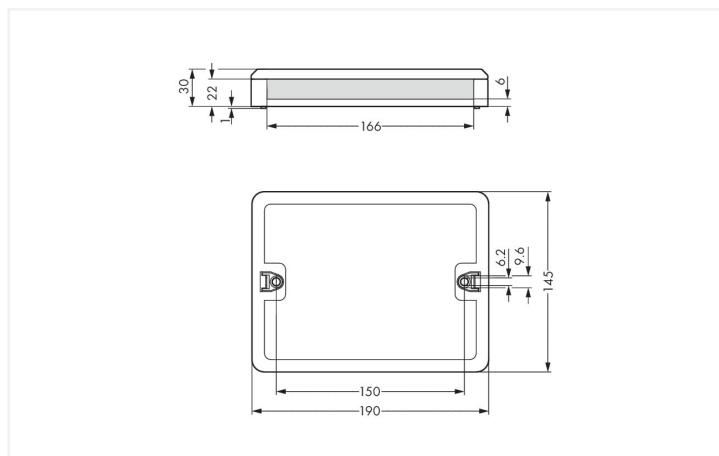
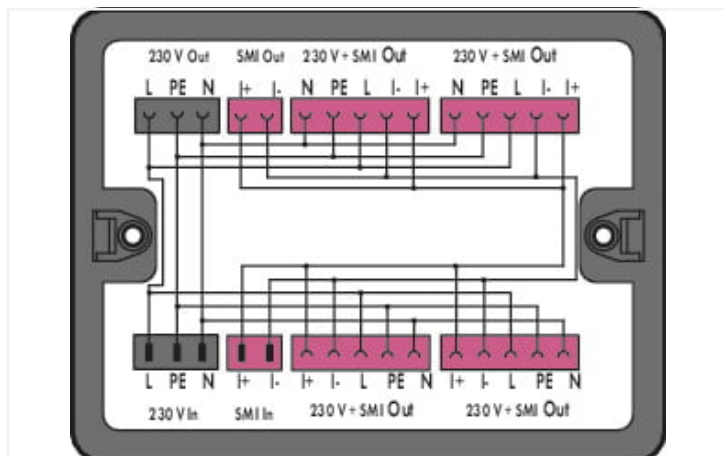


# Data Sheet | Item Number: 899-631/405-000

Distribution box; 230 V + SMI; 2 inputs; 6 outputs; Cod. A, B; MINI, MIDI; black

<https://www.wago.com/899-631/405-000>



Color: ■ black

Dimensions in mm

## Distribution box WINSTA® A coding

Thanks to the distribution box from the WINSTA® product line with protection type IP20, straightforward installation is ensured. An extensive range of accessories rounds out the WINSTA® product line from WAGO. For greater security in electrical installations, the distribution box is equipped with mechanical protection against mismatching. The distribution box is protected against ingress by solid objects in accordance with protection type IP20 (When mated: IP2xC (These compact connectors are not designed for use in open, easily accessible areas!)). The SMI (Standard Motor Interface) protocol is an interface for activating electronic drives, such as those built into sun protection equipment (roller shutters or sun blinds). Thanks to the color coding and mechanical A coding of WINSTA® distribution boxes, you can clearly distinguish different circuits. This distribution box can be used for electrical currents up to 25 A. Thus the product is ideally suitable for high power loads.

WINSTA® solutions for your electrical installation – protected against mismatching and maintenance-free

The WINSTA® Pluggable Connection System is ideally tailored to the very strict requirements of building installation. It makes electrical installation pluggable, and therefore more efficient, even more reliable, and error-free. Using this pre-assembled system reduces time spent on assembly and errors during installation at the construction site. Now you can also reduce installation expenses without compromising safety and quality: with protection against mismatching eliminates the need for servicing and prevents unnecessary downtime.

- effective protection against mismatching
- intuitive marking
- products perfectly tailored to your requirements guarantee safe use
- with A coding for use in a large number of general mains applications
- convenient installation and commissioning

### Electrical data

Ratings per	IEC/EN 60664-1		
Overvoltage category	III	III	II
Pollution degree	3	2	2
Nominal voltage	250 V	-	-
Rated surge voltage	4 kV	-	-
Rated current	25 A	-	-

Ratings per IEC/EN 2	
Rated current 2	16 A

### General information

Note on contact resistance      approx. 1 mΩ contact resistance  
approx. 0.25 mΩ contact transition (plug/  
socket)

### Physical data

Width	190 mm / 7.48 inches
Height	30 mm / 1.181 inches
Depth	145 mm / 5.709 inches

### Mechanical data

Internal wiring	1.5 mm <sup>2</sup> 4 mm <sup>2</sup>
Technology	SMI
Application	SMI
Coding	A
Coding 2	B
Mounting type	Wall, screw mount Installation on mounting plate
Protection type	IP20; When mated: IP2xC (These compact connectors are not designed for use in open, easily accessible areas!)

### Plug-in connection

Mismating protection	Yes
Note on mismating protection	All <i>WINSTA</i> ® components are 100% protected against mismating when: a.) plugging different numbers of poles b.) plugging while rotated 180 c.) plugging while laterally staggered d.) plugging one pole
Locking of plug-in connection	Locking lever

### Material data

Note (material data)	<a href="https://www.wago.com/us/material-specifications">Information on material specifications can be found here</a>
Color	black
Insulation material	Polyamide (PA66)
Flammability class per UL94	V0
Contact material	Copper or copper alloy; surface-treated
Contact plating	Tin
Fire load	15.298 MJ
Weight	450 g

### Environmental requirements

Processing temperature	-5 ... +40 °C
Continuous operating temperature	-35 ... +85 °C
Note on continuous operating temperature	Insulating parts for temperatures ≤ 105 °C

### Commercial data

eCl@ss 10.0	27-44-06-03
eCl@ss 9.0	27-44-06-03
ETIM 8.0	EC002567
ETIM 7.0	EC002567
PU (SPU)	1 pcs
Packaging type	Box
Country of origin	DE
GTIN	4055143305815
Customs tariff number	85366990990

**Environmental Product Compliance**

RoHS Compliance Status	Compliant, No Exemption
------------------------	-------------------------

**Downloads**

**Environmental Product Compliance**

<b>Compliance Search</b>	
Environmental Product Compliance 899-631/405-000	↓

**Documentation**

<b>Bid Text</b>			
899-631/405-000	19.02.2019	xml 3.56 KB	↓
899-631/405-000	11.03.2015	doc 26.50 KB	↓
ausschreiben.de 899-631/405-000			↓

**1 Compatible Products**

**1.1 System counterpart**

**1.1.1 Cable assembly**



**Item No.: 771-9993/206-101**  
pre-assembled connecting cable; Eca; Plug/open-ended; 3-pole; Cod. A; H05VV-F 3G 1.5 mm<sup>2</sup>; 1 m; 1,50 mm<sup>2</sup>; black



**Item No.: 771-9935/206-307/080-000**  
pre-assembled connecting cable; Eca; Plug/open-ended; 5-pole; Cod. B; H05VV-F 5G 1.5 mm<sup>2</sup>; 3 m; 1,50 mm<sup>2</sup>; pink



**Item No.: 771-9993/106-101**  
pre-assembled connecting cable; Eca; Socket/open-ended; 3-pole; Cod. A; H05VV-F 3G 1.5 mm<sup>2</sup>; 1 m; 1,50 mm<sup>2</sup>; black



**Item No.: 771-9993/006-101**  
pre-assembled interconnecting cable; Eca; Socket/plug; 3-pole; Cod. A; H05VV-F 3G 1.5 mm<sup>2</sup>; 1 m; 1,50 mm<sup>2</sup>; black



**Item No.: 771-9935/006-107/080-000**  
pre-assembled interconnecting cable; Eca; Socket/plug; 5-pole; Cod. B; H05VV-F 5G 1.5 mm<sup>2</sup>; 1 m; 1,50 mm<sup>2</sup>; pink

**1.1.2 Female connector/socket**



**Item No.: 890-282/080-000**  
Socket; 2-pole; Cod. B; 1,50 mm<sup>2</sup>; pink



**Item No.: 770-203**  
Socket; 3-pole; Cod. A; 4,00 mm<sup>2</sup>; black



**Item No.: 770-103**  
Socket; with strain relief housing; 3-pole; Cod. A; 4,00 mm<sup>2</sup>; black



**Item No.: 770-203/035-000**  
Socket; with strain relief housing; 3-pole; Cod. A; 4,00 mm<sup>2</sup>; black

### 1.1.3 Male connector/plug



**Item No.: 890-292/080-000**  
Plug; 2-pole; 1,50 mm<sup>2</sup>; pink



**Item No.: 770-213**  
Plug; 3-pole; Cod. A; 4,00 mm<sup>2</sup>; black



**Item No.: 770-295/080-000**  
Plug; 5-pole; Cod. B; 4,00 mm<sup>2</sup>; pink



**Item No.: 770-113**  
Plug; with strain relief housing; 3-pole;  
Cod. A; 4,00 mm<sup>2</sup>; black



**Item No.: 770-213/035-000**  
Plug; with strain relief housing; 3-pole;  
Cod. A; 4,00 mm<sup>2</sup>; black

## 1.2 Optional Accessories

### 1.2.1 Installation

#### 1.2.1.1 Mounting accessories



**Item No.: 899-680**  
Mounting plate; for distribution boxes; gray

## Installation Notes

### Installation

