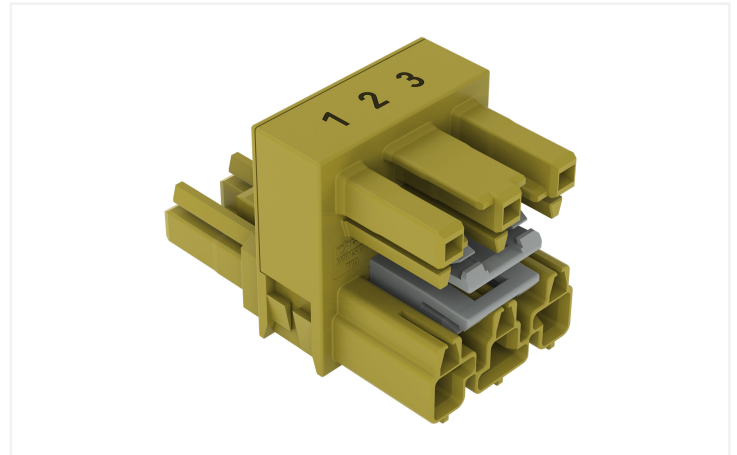
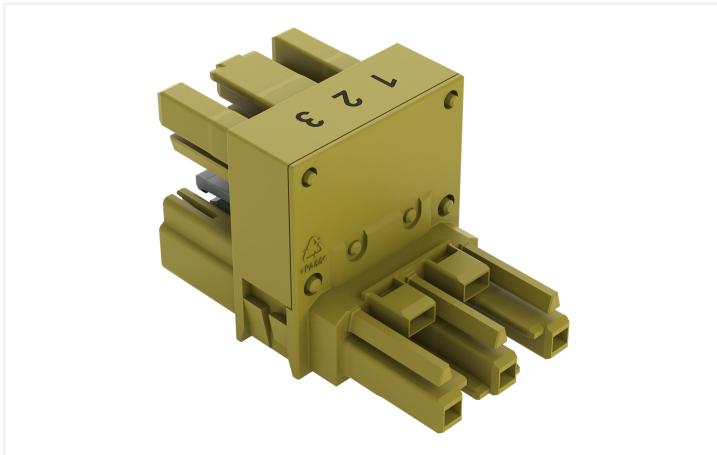


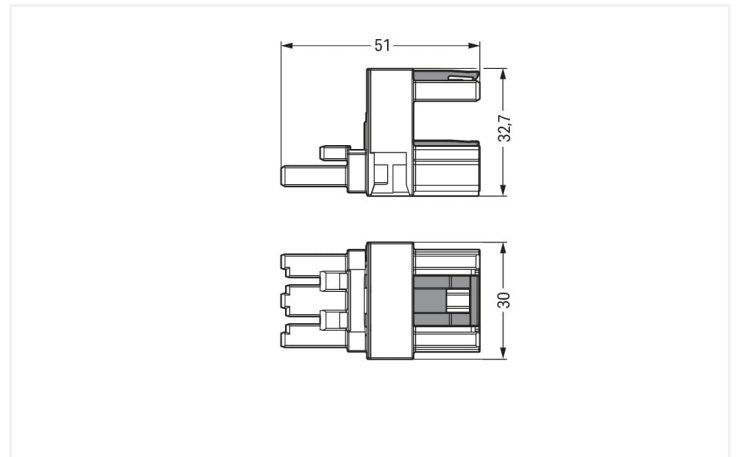
## Data Sheet | Item Number: 770-1765

h-distribution connector; 3-pole; Cod. B; 1 input; 2 outputs; outputs on both sides; 2 locking levers; light green

<https://www.wago.com/770-1765>



Color: ■ light green



Dimensions in mm

### Distribution connector WINSTA® MIDI B coding

For signal and power transmission: The WINSTA® MIDI distribution connector 3-pole. Our pluggable installation connectors with spring pressure connection technology function entirely without screw connections. They allow resource-efficient, error-free installation in a large number of applications. The pluggable installation connector is protected in accordance with protection type IP20 (When mated: IP2xC (These compact connectors are not designed for use in open, easily accessible areas!)). That results in the fact that users' fingers will never come into contact with energised contact elements. B coding enables the WINSTA® MIDI pluggable installation connectors to be used for control in applications in automation, mechanical engineering and robotics. This pluggable installation connector is used for electrical currents up to 25 A. Thus the product is also suitable for high power loads. Our WINSTA® MIDI product line achieves flexibility for the installation. Through its Push-in CAGE CLAMP® spring pressure connection technology, it ensures time-saving, error-free installation and offers customization and flexibility for meeting an enormous variety of installation requirements.

WINSTA® MIDI solutions for your electrical installation – protected against mismatching and maintenance-free

The WINSTA® Pluggable Connection System allows pluggable electrical installation. This significantly reduces the need for servicing and lowers costs. Enjoy the benefits of the pluggable version of our maintenance-free spring pressure connection technology tool! Plan your installation with with protection against mismatching from WAGO.

- pre-assembled versions
- with B coding for use in automation of processes, such as lighting technology
- custom-engineered solutions
- quick replacement of defective units during ongoing operation

## Notes

|           |   |
|-----------|---|
| Variants: | Other pole markings<br>Other versions (or variants) can be requested from WAGO Sales or configured at <a href="https://configurator.wago.com/">https://configurator.wago.com/</a> . |
|-----------|---|

## Electrical data

### Ratings per IEC/EN

|                               |  |
|-------------------------------|--|
| Ratings per                   | IEC/EN 60664-1   |
| Nominal voltage (III/3)       | 250 V  |
| Rated impulse voltage (III/3) | 4 kV   |
| Rated current                 | 25 A   |
| Legend (ratings)              | (III / 3) $\triangleq$ Overvoltage category III / Pollution degree 3 |

### Ratings per UL 1977

|                        |  |
|------------------------|--|
| Note for the US market | Some versions may also be used for current interruption in accordance with the UL certificate in select applications with currents below 16 A and voltages up to 600 V. For further information, please contact your local sales office. |
|------------------------|--|

## General information

|                            |  |
|----------------------------|--|
| Note on contact resistance | approx. 1 m $\Omega$ of contact resistance<br>approx. 0.25 m $\Omega$ contact transition plug/socket |
|----------------------------|--|

## Connection data

|                            |   |
|----------------------------|---|
| Total number of potentials | 3 |
|----------------------------|---|

### Connection 1

|             |   |
|-------------|---|
| Pole number | 3 |
|-------------|---|

## Physical data

|             |                        |
|-------------|------------------------|
| Pin spacing | 10 mm / 0.394 inches   |
| Width       | 30 mm / 1.181 inches   |
| Height      | 32.7 mm / 1.287 inches |
| Depth       | 51 mm / 2.008 inches   |

## Mechanical data

|   |   |
|---|---|
| Application                             | Control technology  |
| Coding                                  | B   |
| Marking                                 | 1 2 3   |
| Potential marking                       | 1 2 3   |
| Mating force of a plug-in connection    | Approx. 20 ... 70 N (depending on pole number)  |
| Retention force of a plug-in connection | When locked: > 80 N   |
| Unmating force of a plug-in connection  | Unlocked: approx. 20 ... 70 N (depending on pole number)  |
| Number of mating cycles                 | 200, without resistive load   |
| Type of distribution box                | h-distribution connector, outputs at both ends  |
| Protection type                         | IP20; When mated: IP2xC (These compact connectors are not designed for use in open, easily accessible areas!) |

### Plug-in connection

|                                |  |
|--------------------------------|--|
| Note on mismatching protection | All <i>WINSTA</i> ® components are 100% protected against mismatching when:<br>a.) plugging different numbers of poles<br>b.) plugging while rotated 180<br>c.) plugging while laterally staggered<br>d.) plugging one pole  |
| Locking lever                  | Yes  |
| Locking of plug-in connection  | Locking lever  |
| Note on locking system         | All connectors for mounted installations (snap-in versions for lighting fixtures or devices, all types of PCB and distribution connectors) are factory-equipped with locking levers to ensure plugs and sockets are securely locked. Additional locking levers are only required for flying leads (plug/socket). |
| Number of locking levers       | 2  |

### Material data

|                      |  |
|----------------------|--|
| Note (material data) | <a href="https://www.wago.com/us/material-specifications">Information on material specifications can be found here</a> |
| Color                | light green  |
| Contact material     | Copper or copper alloy; surface-treated  |
| Contact plating      | Tin  |
| Fire load            | 1.414 MJ   |
| Weight               | 56.5 g   |

### Environmental requirements

|  |  |
|--|--|
| Note on continuous operating temperature | Insulating parts for temperatures ≤ 105 °C |
|--|--|

### Commercial data

|                       |               |
|-----------------------|---------------|
| Product Group         | 20 (Winsta)   |
| PU (SPU)              | 50 pcs        |
| Country of origin     | DE            |
| GTIN                  | 4050821702290 |
| Customs tariff number | 85366990990   |

### Environmental Product Compliance

|                        |                         |
|------------------------|-------------------------|
| RoHS Compliance Status | Compliant, No Exemption |
|------------------------|-------------------------|

### Approvals / Certificates

#### General approvals



| Approval                                   | Standard | Certificate Name |
|--|----------|------------------|
| cURus<br>Underwriters Laboratories<br>Inc. | UL 1059  | E 45172          |

Downloads

Environmental Product Compliance

Compliance Search

Environmental Product Compliance 770-1765



CAD/CAE-Data

CAD data

2D/3D Models  
770-1765



1 Compatible Products

1.1 System counterpart

1.1.1 Cable assembly



**Item No.: 771-9993/205-105**

pre-assembled connecting cable; Eca; Plug/open-ended; 3-pole; Cod. B; H05VV-F 3 x 1.0 mm<sup>2</sup>; 1 m; 1,00 mm<sup>2</sup>; light green



**Item No.: 771-9993/105-105**

pre-assembled connecting cable; Eca; Socket/open-ended; 3-pole; Cod. B; H05VV-F 3 x 1.0 mm<sup>2</sup>; 1 m; 1,00 mm<sup>2</sup>; light green



**Item No.: 771-9993/005-105**

pre-assembled interconnecting cable; Eca; Socket/plug; 3-pole; Cod. B; H05VV-F 3 x 1.0 mm<sup>2</sup>; 1 m; 1,00 mm<sup>2</sup>; light green

1.1.2 Female connector/socket



**Item No.: 770-263**

Socket; 3-pole; Cod. B; 4,00 mm<sup>2</sup>; light green

1.1.3 Male connector/plug



**Item No.: 770-273**

Plug; 3-pole; Cod. B; 4,00 mm<sup>2</sup>; light green

1.2 Optional Accessories

1.2.1 Cover

1.2.1.1 Cover



**Item No.: 770-201**

Lockout cap; 12-pole, separable; for sockets; Plastic; black



**Item No.: 770-221**

Lockout cap; 12-pole, separable; for sockets; Plastic; white



**Item No.: 770-360**

Lockout cap; for plugs; 5-pole; separable; yellow

## 1.2.2 Installation

### 1.2.2.1 Mounting accessories



**Item No.: 770-623**

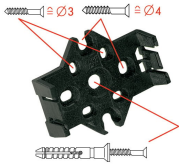
Mounting plate; 3-pole; for distribution connectors; Plastic; black

**Item No.: 770-673**

Mounting plate; 3-pole; for distribution connectors; Plastic; white

## Installation Notes

### Installation



Mounting plates can be secured using commercially available screws or nail-drive anchors.



The distribution connectors snap together when attached to the mounting plate.



To release the distribution connector, unlock the latch using a screwdriver.



All distribution connector connections are locked and protected against accidental disconnection directly after mating. Locking of any connection is released using a screwdriver, even if all connections are used.