

Luminaire Property

Luminaire: 149-351

Report NO.:

Test NO.:

Lamp: CREE COB-1507-3000K-37V

Sum Lumens: 1083.5 lm

Number of Lamps: 1

Diameter: 200mm

Length: mm

Photometric Type: Type C

Voltage: 223.1 V

Current: 0.051 A

Power: 10.6 W

Power Factor: 0.927

Ballast Type: HEP LSC20W350 UNI

Width: 200mm

Height: mm

Remark:

Photometric Results

Lumens: 746.14 lm

Efficiency: 70.3906 lm/W

Central Intensity: 1240.981cd

Maximum Intensity: 1240.981cd

Beam Angle(10%): Left: -41.3 Right:40.9

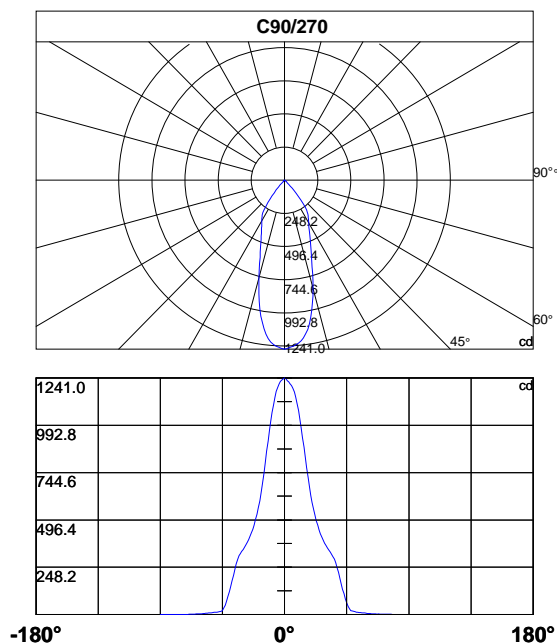
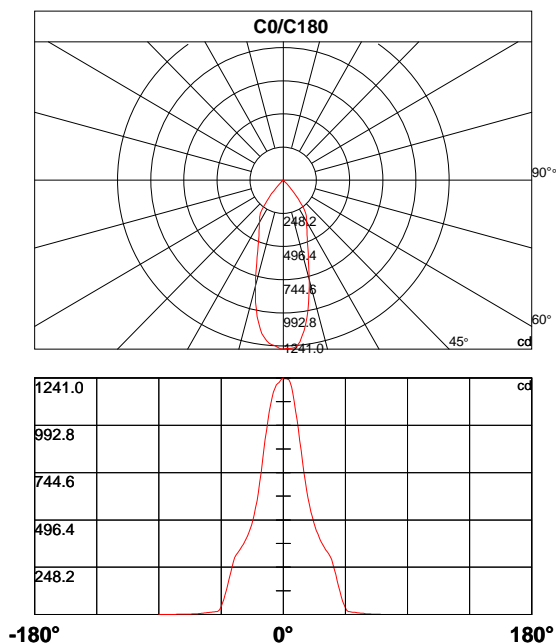
Angle of maximum intensity: C:0.0 G:0.0

Half Peak Side Angle(50%): Left: -18.4 Right:17.8

Light Out Rate(LOR) : 68.8639%

Up Flux Rate: 0.0%

Down Flux Rate: 100.0%



Photometric Data Table [cd]

C\G	0.0	1.0	2.0	3.0	4.0	5.0	6.0	7.0	8.0	9.0
0.0	1241.0	1236.7	1238.1	1235.2	1232.5	1218.9	1193.6	1157.0	1116.8	1069.5
45.0	1241.0	1237.4	1227.0	1222.1	1211.7	1201.1	1186.8	1167.5	1141.1	1108.5
90.0	1241.0	1237.4	1227.0	1222.1	1211.7	1201.1	1186.8	1167.5	1141.1	1108.5
135.0	1241.0	1238.6	1228.7	1218.0	1212.2	1205.1	1188.0	1167.1	1139.6	1107.2
180.0	1241.0	1238.6	1228.7	1218.0	1212.2	1205.1	1188.0	1167.1	1139.6	1107.2
225.0	1241.0	1236.7	1229.4	1222.5	1210.0	1193.3	1171.2	1139.4	1101.9	1060.4
270.0	1241.0	1236.7	1229.4	1222.5	1210.0	1193.3	1171.2	1139.4	1101.9	1060.4
315.0	1241.0	1236.7	1238.1	1235.2	1232.5	1218.9	1193.6	1157.0	1116.8	1069.5
360.0	1241.0	1236.7	1238.1	1235.2	1232.5	1218.9	1193.6	1157.0	1116.8	1069.5

C\G	10.0	11.0	12.0	13.0	14.0	15.0	16.0	17.0	18.0	19.0
0.0	1021.6	971.9	914.0	858.5	801.6	748.7	695.7	650.8	610.7	572.7
45.0	1070.0	1025.2	979.4	929.1	878.5	824.7	770.3	717.9	669.7	625.1
90.0	1070.0	1025.2	979.4	929.1	878.5	824.7	770.3	717.9	669.7	625.1
135.0	1064.5	1020.5	970.3	919.3	863.2	805.9	748.1	693.0	639.5	597.1
180.0	1064.5	1020.5	970.3	919.3	863.2	805.9	748.1	693.0	639.5	597.1
225.0	1015.0	966.2	910.4	855.6	797.5	741.6	685.8	639.5	595.8	560.0
270.0	1015.0	966.2	910.4	855.6	797.5	741.6	685.8	639.5	595.8	560.0
315.0	1021.6	971.9	914.0	858.5	801.6	748.7	695.7	650.8	610.7	572.7
360.0	1021.6	971.9	914.0	858.5	801.6	748.7	695.7	650.8	610.7	572.7

C\G	20.0	21.0	22.0	23.0	24.0	25.0	26.0	27.0	28.0	29.0
0.0	539.0	510.5	483.7	461.4	440.3	422.3	404.6	387.7	373.4	361.3
45.0	587.4	551.7	522.2	492.3	468.6	443.5	423.5	405.3	389.9	375.2
90.0	587.4	551.7	522.2	492.3	468.6	443.5	423.5	405.3	389.9	375.2
135.0	558.9	524.7	496.1	470.3	447.3	427.3	411.8	394.6	381.2	368.0
180.0	558.9	524.7	496.1	470.3	447.3	427.3	411.8	394.6	381.2	368.0
225.0	526.4	496.6	468.5	446.3	426.0	409.2	393.1	378.9	365.4	352.8
270.0	526.4	496.6	468.5	446.3	426.0	409.2	393.1	378.9	365.4	352.8
315.0	539.0	510.5	483.7	461.4	440.3	422.3	404.6	387.7	373.4	361.3
360.0	539.0	510.5	483.7	461.4	440.3	422.3	404.6	387.7	373.4	361.3

C\G	30.0	31.0	32.0	33.0	34.0	35.0	36.0	37.0	38.0	39.0
0.0	349.6	337.2	326.6	316.7	305.1	288.8	264.4	239.2	209.2	178.5
45.0	361.9	349.6	338.4	326.9	316.2	304.5	291.3	272.6	247.3	220.4
90.0	361.9	349.6	338.4	326.9	316.2	304.5	291.3	272.6	247.3	220.4
135.0	356.4	344.8	334.3	323.1	313.3	298.5	276.2	250.4	221.6	189.8
180.0	356.4	344.8	334.3	323.1	313.3	298.5	276.2	250.4	221.6	189.8
225.0	340.5	330.3	318.0	308.7	290.6	266.1	237.4	206.8	176.5	147.9
270.0	340.5	330.3	318.0	308.7	290.6	266.1	237.4	206.8	176.5	147.9
315.0	349.6	337.2	326.6	316.7	305.1	288.8	264.4	239.2	209.2	178.5
360.0	349.6	337.2	326.6	316.7	305.1	288.8	264.4	239.2	209.2	178.5

Photometric Data Table [cd]

C\G	40.0	41.0	42.0	43.0	44.0	45.0	46.0	47.0	48.0	49.0
0.0	150.4	120.7	94.3	69.7	51.2	34.5	21.4	15.3	14.7	13.0
45.0	190.0	161.2	132.8	108.4	81.6	61.1	42.8	29.8	21.1	18.5
90.0	190.0	161.2	132.8	108.4	81.6	61.1	42.8	29.8	21.1	18.5
135.0	160.5	131.9	103.9	79.5	60.1	41.0	25.5	17.9	15.4	14.7
180.0	160.5	131.9	103.9	79.5	60.1	41.0	25.5	17.9	15.4	14.7
225.0	120.6	94.4	70.8	49.1	32.4	21.1	15.9	14.5	13.8	12.5
270.0	120.6	94.4	70.8	49.1	32.4	21.1	15.9	14.5	13.8	12.5
315.0	150.4	120.7	94.3	69.7	51.2	34.5	21.4	15.3	14.7	13.0
360.0	150.4	120.7	94.3	69.7	51.2	34.5	21.4	15.3	14.7	13.0

C\G	50.0	51.0	52.0	53.0	54.0	55.0	56.0	57.0	58.0	59.0
0.0	12.4	11.0	10.7	9.6	8.7	8.3	6.9	6.4	5.8	5.0
45.0	15.6	14.2	12.5	11.8	10.4	9.5	8.6	7.8	7.2	5.9
90.0	15.6	14.2	12.5	11.8	10.4	9.5	8.6	7.8	7.2	5.9
135.0	14.1	12.8	11.8	11.3	9.8	9.5	8.1	7.7	6.6	5.8
180.0	14.1	12.8	11.8	11.3	9.8	9.5	8.1	7.7	6.6	5.8
225.0	11.8	10.9	10.1	9.2	8.6	7.3	7.0	5.8	5.5	4.4
270.0	11.8	10.9	10.1	9.2	8.6	7.3	7.0	5.8	5.5	4.4
315.0	12.4	11.0	10.7	9.6	8.7	8.3	6.9	6.4	5.8	5.0
360.0	12.4	11.0	10.7	9.6	8.7	8.3	6.9	6.4	5.8	5.0

C\G	60.0	61.0	62.0	63.0	64.0	65.0	66.0	67.0	68.0	69.0
0.0	4.3	4.1	3.0	2.7	2.1	2.1	1.7	1.5	1.4	1.1
45.0	5.6	4.9	4.4	3.5	3.5	2.7	2.6	2.1	2.3	1.8
90.0	5.6	4.9	4.4	3.5	3.5	2.7	2.6	2.1	2.3	1.8
135.0	5.0	4.6	3.8	3.5	2.9	2.7	2.3	2.1	2.0	1.8
180.0	5.0	4.6	3.8	3.5	2.9	2.7	2.3	2.1	2.0	1.8
225.0	4.3	3.5	3.2	2.6	2.4	2.0	2.0	1.2	1.2	0.9
270.0	4.3	3.5	3.2	2.6	2.4	2.0	2.0	1.2	1.2	0.9
315.0	4.3	4.1	3.0	2.7	2.1	2.1	1.7	1.5	1.4	1.1
360.0	4.3	4.1	3.0	2.7	2.1	2.1	1.7	1.5	1.4	1.1

C\G	70.0	71.0	72.0	73.0	74.0	75.0	76.0	77.0	78.0	79.0
0.0	0.9	0.8	0.7	0.6	0.6	0.3	0.2	0.2	0.2	0.0
45.0	1.4	1.2	1.2	1.1	0.9	1.1	1.0	0.9	0.6	0.6
90.0	1.4	1.2	1.2	1.1	0.9	1.1	1.0	0.9	0.6	0.6
135.0	1.5	1.5	1.4	1.2	1.2	1.1	1.0	0.9	0.7	0.5
180.0	1.5	1.5	1.4	1.2	1.2	1.1	1.0	0.9	0.7	0.5
225.0	0.8	0.7	0.6	0.6	0.6	0.5	0.3	0.3	0.0	0.0
270.0	0.8	0.7	0.6	0.6	0.6	0.5	0.3	0.3	0.0	0.0
315.0	0.9	0.8	0.7	0.6	0.6	0.3	0.2	0.2	0.2	0.0
360.0	0.9	0.8	0.7	0.6	0.6	0.3	0.2	0.2	0.2	0.0

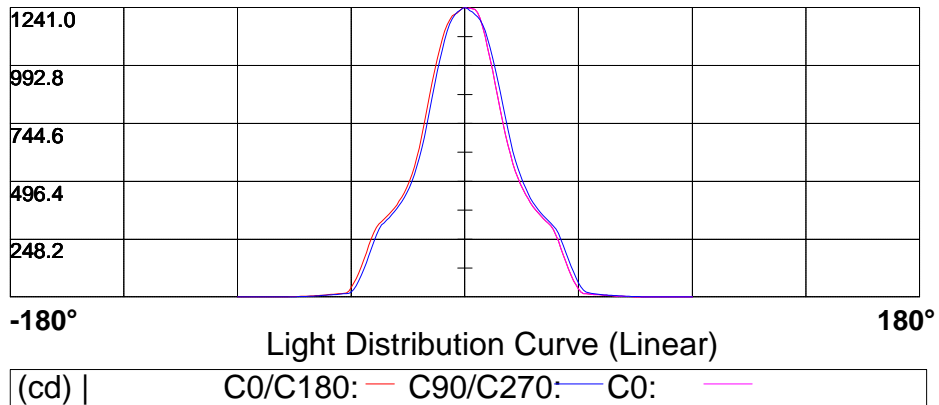
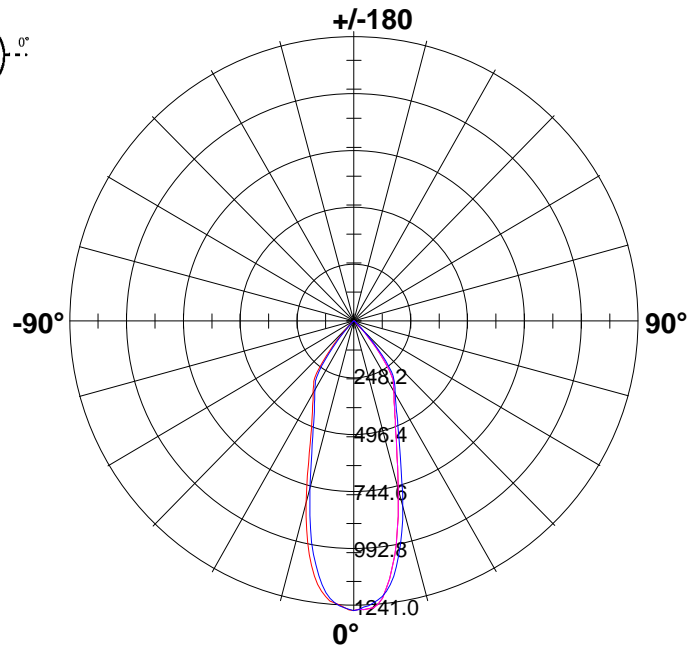
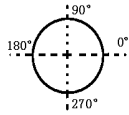
Photometric Data Table [cd]

C\G	80.0	81.0	82.0	83.0	84.0	85.0	86.0	87.0	88.0	89.0
0.0	0.0	0.0	0.0	0.0	0.0	0.0	0.0	0.0	0.0	0.0
45.0	0.5	0.5	0.0	0.0	0.0	0.0	0.0	0.0	0.0	0.0
90.0	0.5	0.5	0.0	0.0	0.0	0.0	0.0	0.0	0.0	0.0
135.0	0.2	0.2	0.0	0.0	0.0	0.0	0.0	0.0	0.0	0.0
180.0	0.2	0.2	0.0	0.0	0.0	0.0	0.0	0.0	0.0	0.0
225.0	0.0	0.0	0.0	0.0	0.0	0.0	0.0	0.0	0.0	0.0
270.0	0.0	0.0	0.0	0.0	0.0	0.0	0.0	0.0	0.0	0.0
315.0	0.0	0.0	0.0	0.0	0.0	0.0	0.0	0.0	0.0	0.0
360.0	0.0	0.0	0.0	0.0	0.0	0.0	0.0	0.0	0.0	0.0

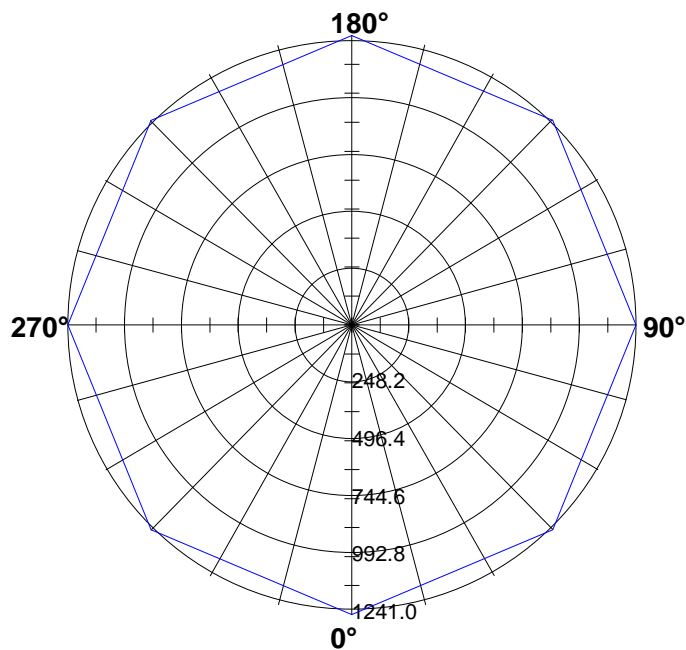
C\G	90.0
0.0	0.0
45.0	0.0
90.0	0.0
135.0	0.0
180.0	0.0
225.0	0.0
270.0	0.0
315.0	0.0
360.0	0.0

Light Distribution Curve [Unit: cd]

Luminaire



Max Plane Light Distribution Curve [Unit: cd]

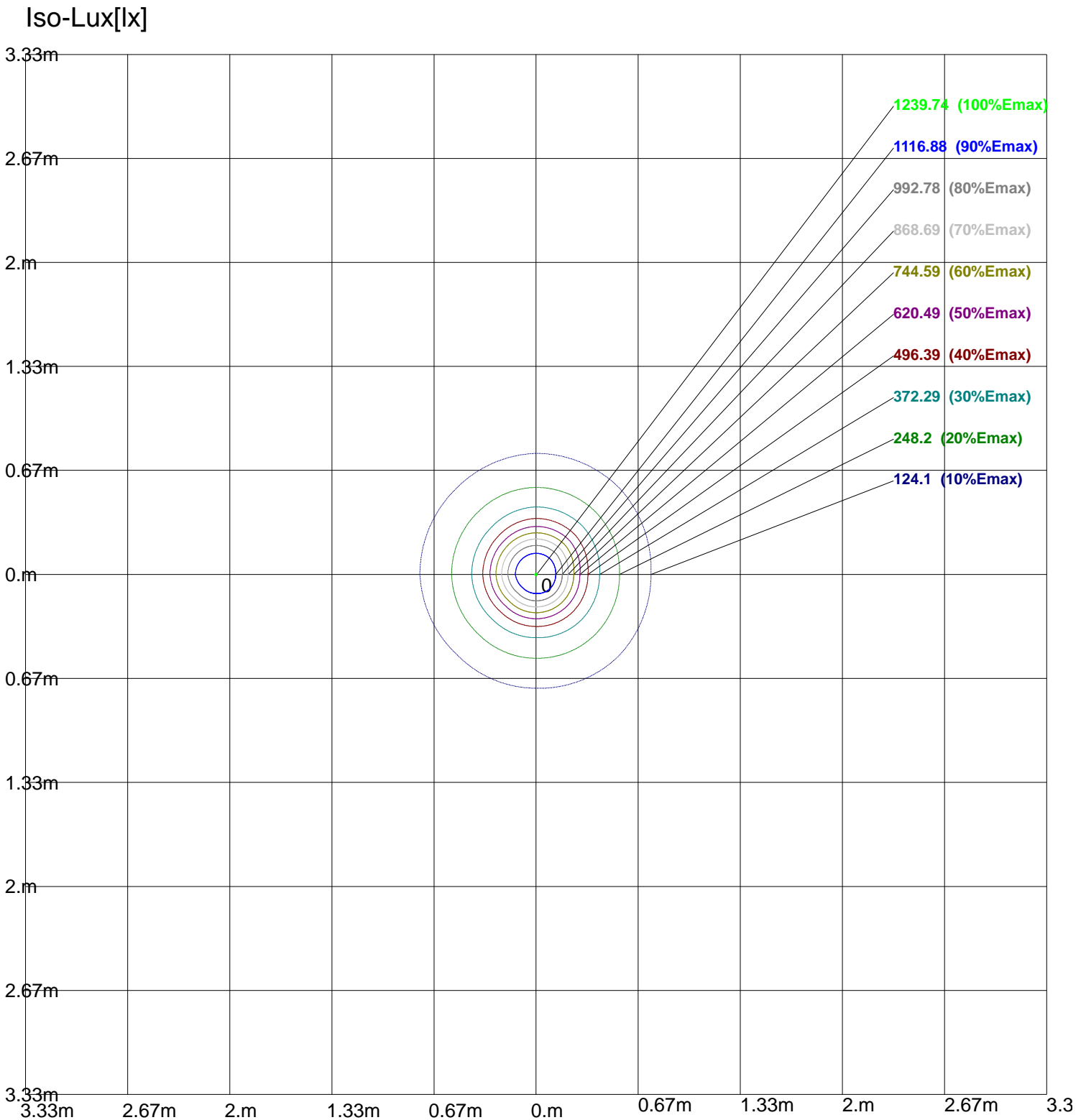


1241.0						
992.8						
744.6						
496.4						
248.2						

-180° 180°

Light Distribution Curve (Linear)

(cd) | γ_0 : —



Height: 1 m
 Max Illuminance : 1240.98lx

Luminance Limiting Curve

Diameter: 200mm

Length: mm

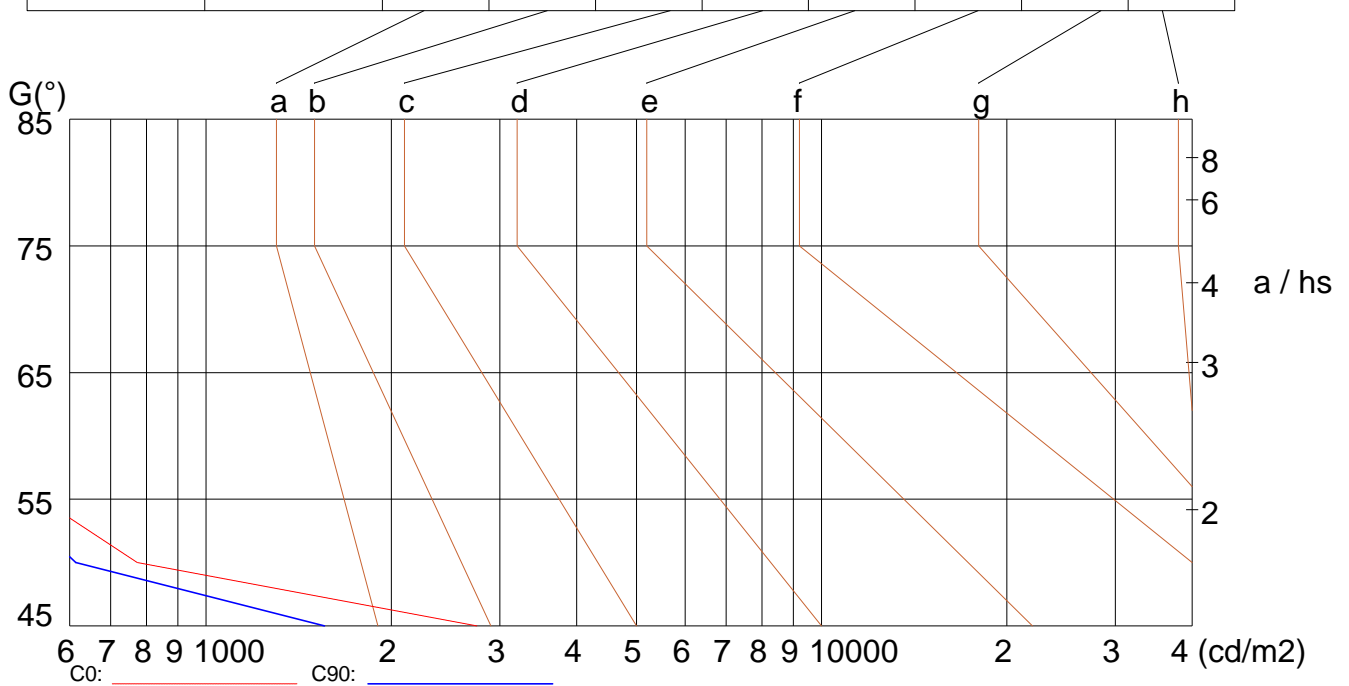
Width: 200mm

Height: mm

(cd/m²)

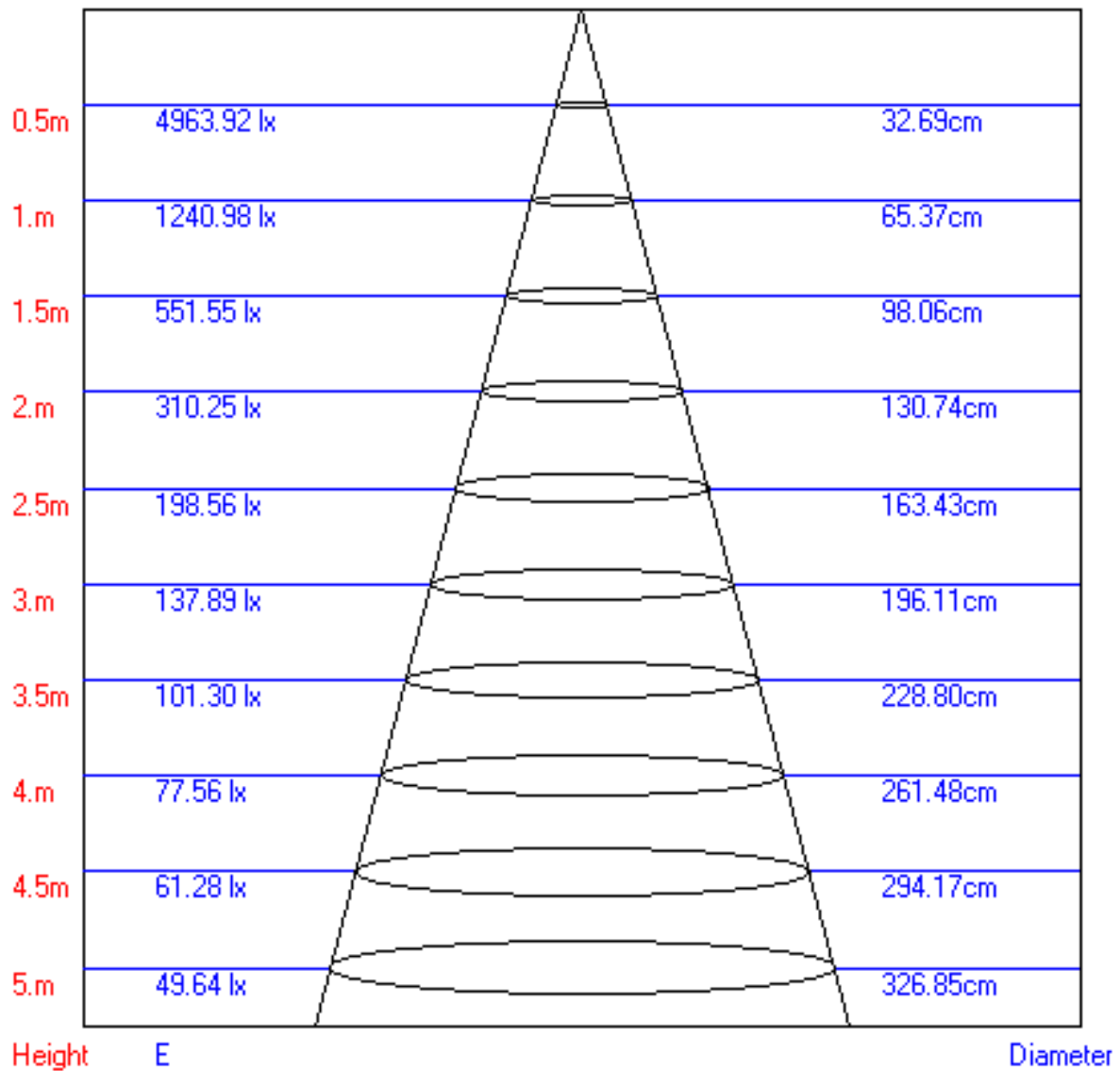
γ	45°	50°	55°	60°	65°	70°	75°	80°	85°
C0	2754	773	527	360	206	128	132		
C90	1556	614	458	272	161	84	37		

Glare	Quality	Service Values Illuminance (lx)							
1.15	A	2000	1000	500	≤300				
1.5	B		2000	1000	500	≤300			
1.85	C			2000	1000	500	≤300		
2.2	D				2000	1000	500	≤300	
2.55	E					2000	1000	500	≤300



Lum. Limiting Curve (C0/C90)

Lux-Distance Curve



Beam Angle:36.20°

Utilization Coefficient Table

RHOCC	80			70			50			30			10			0
RHOW	50	30	10	50	30	10	50	30	10	50	30	10	50	30	10	0
RCR	COEFFICIENTS OF UTILIZATION FOR RHOFC=20															
0	0.82	0.82	0.82	0.80	0.80	0.80	0.77	0.77	0.77	0.73	0.73	0.73	0.70	0.70	0.70	0.69
1	0.79	0.78	0.78	0.78	0.77	0.76	0.75	0.74	0.73	0.71	0.70	0.69	0.66	0.65	0.64	0.61
2	0.74	0.73	0.72	0.73	0.72	0.71	0.70	0.69	0.68	0.67	0.65	0.64	0.63	0.61	0.60	0.57
3	0.69	0.68	0.67	0.68	0.67	0.66	0.66	0.64	0.63	0.63	0.61	0.60	0.60	0.58	0.56	0.53
4	0.65	0.64	0.63	0.64	0.62	0.62	0.62	0.60	0.59	0.60	0.57	0.56	0.57	0.54	0.52	0.49
5	0.61	0.60	0.59	0.60	0.59	0.58	0.58	0.56	0.55	0.56	0.54	0.52	0.54	0.51	0.49	0.46
6	0.57	0.56	0.55	0.56	0.55	0.54	0.55	0.53	0.51	0.53	0.51	0.49	0.51	0.48	0.46	0.43
7	0.54	0.53	0.52	0.53	0.52	0.51	0.52	0.50	0.48	0.50	0.48	0.46	0.49	0.46	0.43	0.41
8	0.51	0.50	0.49	0.50	0.49	0.48	0.49	0.47	0.46	0.48	0.45	0.43	0.46	0.43	0.41	0.38
9	0.48	0.47	0.46	0.48	0.46	0.45	0.47	0.44	0.43	0.45	0.43	0.41	0.44	0.41	0.39	0.36
10	0.45	0.44	0.44	0.45	0.44	0.43	0.44	0.42	0.41	0.43	0.41	0.39	0.42	0.39	0.37	0.34

