

# RefLED ES50 V6 600LM 840 110 SL

Item No: 0029189

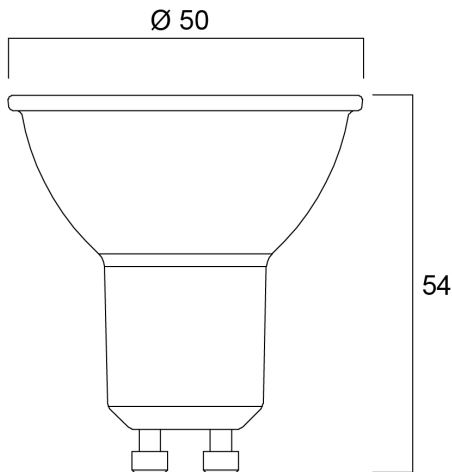
**SYLVANIA**



Compact, energy efficient and exceptional value LED GU10 lamp Same shape and size as halogen GU10 lamp Compact Cluster SMD technology enabling high efficiency with halogen look Reduced visible heat sink from the front Available in 110 degree beam angle High lumen efficacy 15,000 hours average rated life 3 years warranty

## Technical Assets

### Dimensions (mm)



### Photometrics

# RefLED ES50 V6 600LM 840 110 SL

Item No: 0029189

**SYLVANIA**

## General data

|   |  |
|---|--|
| Product name                            | RefLED ES50 V6 600LM<br>840 110 SL   |
| Technology                              | LED  |
| Watt (Rated) (W)                        | 7  |
| Cap/Base                                | GU10   |
| Fixture rating                          | Open   |
| General application                     | Education, Hospitality,<br>Museums & Galleries,<br>Office, Residential &<br>Consumer, Retail |
| Operating temperature range (°C)        | -20°C...+40°C  |
| Performance ambient temperature Tq (°C) | 25   |
| ETIM Class                              | EC001959   |
| E-number FI                             | 4741073  |
| Warranty                                | 3 years  |

## Optical data

|  |            |
|--|------------|
| Useful luminous flux ( $\Phi_{use}$ )        | 600        |
| Correlated colour temperature (k)            | 4000       |
| Light colour                                 | Cool White |
| CRI (Ra)                                     | 80         |
| Colour Consistency (SDCM)                    | 6          |
| Colour Variation Initial (SDCM)              | SDCM6      |
| Luminous Intensity (cd)                      | 320        |
| Beam Angle (°)                               | 110        |
| Photobiological Risk Group                   | RG1        |
| Lumen maintenance at end of nominal life (%) | 70         |

## Electrical data

|   |         |
|---|---------|
| Power consumption (W)                             | 7       |
| Wattage (W)                                       | 7       |
| Equivalent watt (W)                               | 80      |
| Primary Supply/Product voltage - min (V)          | 220     |
| Primary Supply/Product voltage - max (V)          | 240     |
| Control gear required                             | No      |
| No. Of switching cycles before premature failures | >50000  |
| Dimmable  | No      |
| Inrush Current (A)                                | 6.0     |
| Inrush Duration ( $\mu$ s)                        | 244     |
| Lamp Energy Label (class)                         | F       |
| Nominal Frequency (Hz)                            | 50/60Hz |
| Max. products per 16A C Breaker                   | 147     |
| Max. products per 16A B Breaker                   | 88      |

## Lifetime data

|                            |       |
|----------------------------|-------|
| Lifespan L70 B50           | 15000 |
| Average life (Nominal) (h) | 15000 |
| Average life (Rated) (h)   | 15000 |

## Physical data

|                               |       |
|-------------------------------|-------|
| Nominal Product Height (mm)   | 54    |
| Nominal Product Diameter (mm) | 50    |
| Weight (kg)                   | 0.022 |

# RefLED ES50 V6 600LM 840 110 SL

Item No: 0029189



## Packaging

|                                       |                |
|---------------------------------------|----------------|
| Product EAN number                    | 5410288291895  |
| Packaging single length / height (cm) | 8.2            |
| Packaging single width (cm)           | 6.1            |
| Packaging single depth (cm)           | 5.1            |
| DUN14 (inner)                         | 15410288291892 |
| Units per inner package               | 6              |
| Packaging inner length / height (cm)  | 19.4           |
| Packaging inner width (cm)            | 11.3           |
| Packaging inner depth (cm)            | 9.5            |
| DUN14 (outer)                         | 25410288291899 |
| Units per outer package               | 60             |
| Packaging outer length / height (cm)  | 58.8           |
| Packaging outer width (cm)            | 21.8           |
| Packaging outer depth (cm)            | 21.7           |

## Safety data

|                                     |  |
|-------------------------------------|--|
| Optimal operating condition (°C)    | -20-40                                     |
| Breakage cleaning instructions      | Not applicable                             |
| Special purpose lamp                | No   |
| Dry applications use only           | Yes  |
| Suitable for household illumination | Yes  |
| Safety message                      | Not Suitable for totally enclosed fixtures |