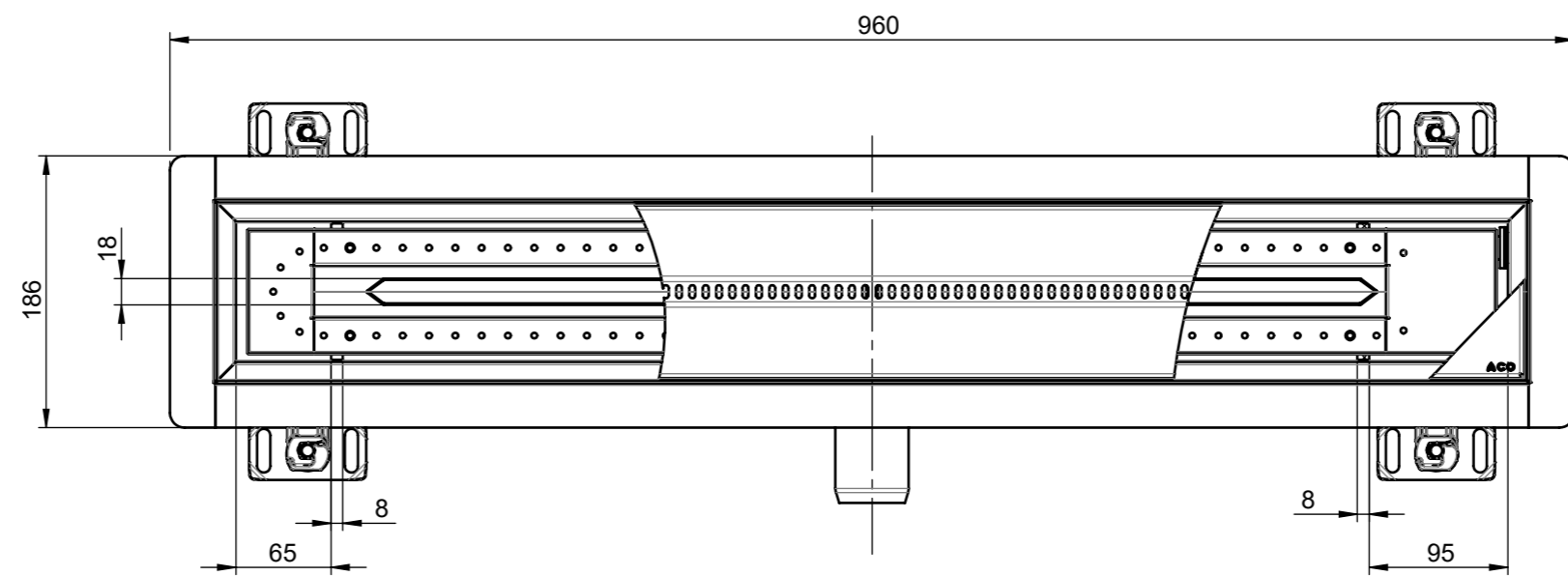
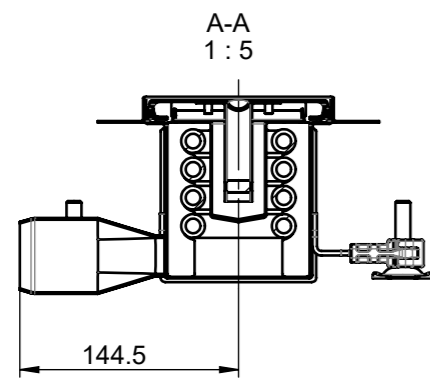
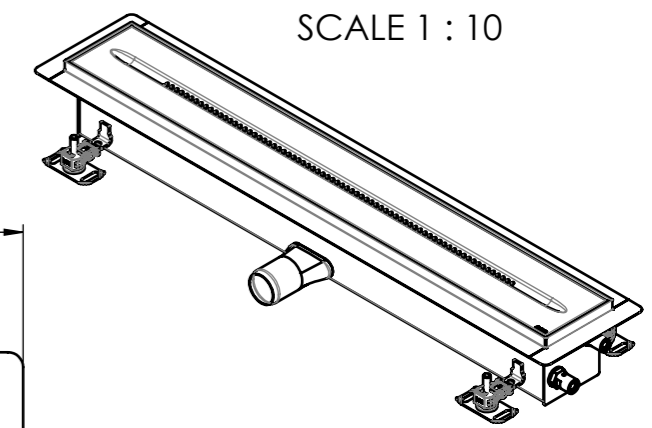



Anzugsmoment
der Verschraubung = 12 Nm



local article number: 9010.74.00

for missing dimensions see 3D model

003	Changed hight of angle part to 24 mm from bottom edge of channel
002	Foot Included
001	Datenmigration und PH3853
index:	modification:

technical reference: Schlotzhauer, Christin	general tolerance: ISO 2768-mS	surface:	weight: 9.3 kg
 ACO Haustechnik ACO Passavant GmbH Ulsterstraße 3 36269 Philippsthal www.aco-haustechnik.de	basic material:	documenttype: production drw.	
	created by: cschlotzhauer	reviewed by: cschlotzhauer	projection: ISO-E scale: 1:5

title:
ACO Showerdrain
Showerdrain WTW L=900, Outlet Left, with ACO logo
Duschablauf WTW L=900, Ausgang links, mit ACO-Logo

serial-released

The reproduction, distribution and utilization of this document as well as the communication of its contents to others without express authorization is prohibited. Offenders will be held liable for the payment of damages. All rights reserved in the event of the grant of a patent, utility model or design. Observe copyright by ISO 16016	drawing-no.: 1183110	index: 003	release date: 05.07.2023	sheet: 1/1
--	--------------------------------	----------------------	------------------------------------	----------------------

Durchzug zur Fixierung der Verteilerplatte (4x)
Rinne darf nicht in sich verdreht sein
Rinnenkörper gebeizt, Rost geschliffen und E-polier

