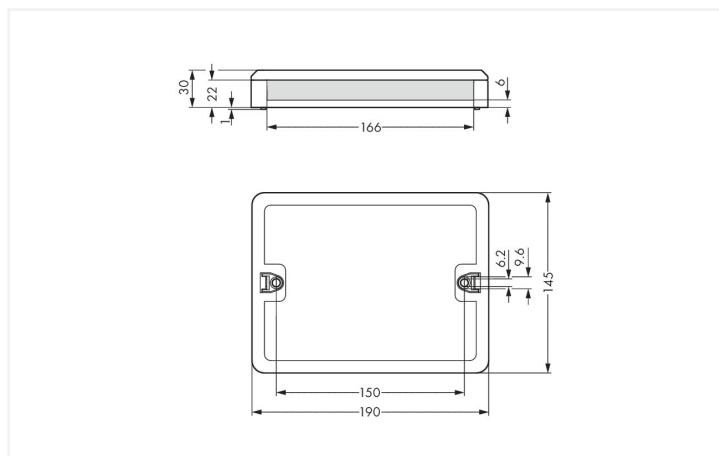
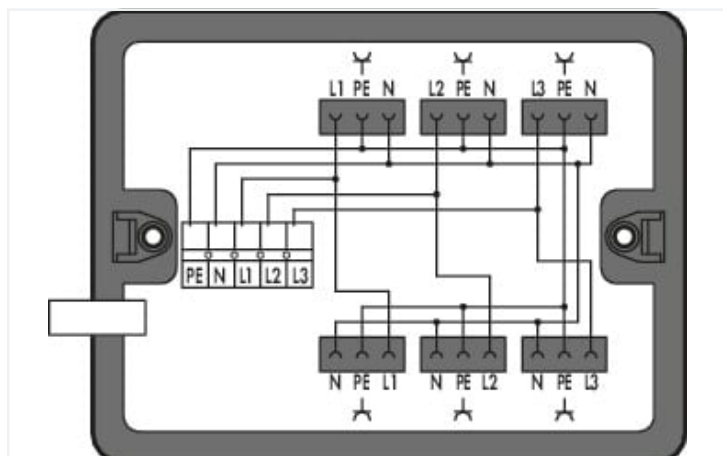


## Data Sheet | Item Number: 899-631/338-000

Distribution box; Three-phase to single-phase current (400 V/230 V); supply cable entry; 1 input; 6 outputs; Cod. A; MIDI; black

<https://www.wago.com/899-631/338-000>



Color: ■ black

Dimensions in mm

Distribution box *WINSTA*® with protection type IP20

The distribution box from the *WINSTA*® product line with A coding guarantees you the maximum flexibility in electrical installation. An extensive range of accessories complements the *WINSTA*® product line from WAGO. The mechanical coding and color coding of the distribution box ensure error-free installation of the individual components – including protection against mismating. The distribution box is protected in accordance with protection type IP20 (When mated: IP2xC (These compact connectors are not designed for use in open, easily accessible areas!)). That results in the fact that users' fingers will never come into contact with electrified elements. Thanks to the color coding and mechanical A coding of *WINSTA*® distribution boxes, you can clearly distinguish different circuits. This distribution box can be used for electrical currents up to 25 A. Thus the product is ideally suitable for high power loads.

*WINSTA*® solutions for your electrical installation – protected against mismating and maintenance-free

*WINSTA*® is the pluggable connection system that is perfectly tailored to the strict requirements of electrical installation. It offers error-free installation of cables and components, quickly and reliably. Choose durability and quality – with protection type IP20 from WAGO makes the electrical installation of electrical components visibly easier.

- effective protection against mismating
- intuitive distribution box marking
- saves time, since no wiring is required at the construction site
- with A coding for use in many general mains applications
- rapid, structured electrical installation

### Electrical data

Ratings per	IEC/EN 60664-1		
Overvoltage category	III	III	II
Pollution degree	3	2	2
Nominal voltage	400 V	-	-
Rated surge voltage	6 kV	-	-
Rated current	25 A	-	-

### Ratings per IEC/EN 2

Rated voltage (III/3) 2	250 V
Rated surge voltage (III/3) 2	4 kV

### General information

Note on contact resistance	approx. 1 mΩ contact resistance approx. 0.25 mΩ contact transition (plug/ socket)
----------------------------	---

### Physical data

Width	190 mm / 7.48 inches
Height	30 mm / 1.181 inches
Depth	145 mm / 5.709 inches

### Mechanical data

Internal wiring	4 mm <sup>2</sup>
Application	Three-Phase to Single-Phase Current (400 V/230 V)
Coding	A
Mounting type	Wall, screw mount Installation on mounting plate
Protection type	IP20; When mated: IP2xC (These compact connectors are not designed for use in open, easily accessible areas!)

### Plug-in connection

Mismating protection	Yes
Note on mismating protection	All <i>WINSTA</i> ® components are 100% protected against mismating when: a.) plugging different numbers of poles b.) plugging while rotated 180 c.) plugging while laterally staggered d.) plugging one pole
Locking of plug-in connection	Locking lever

### Material data

Note (material data)	<a href="https://www.wago.com/us/material-specifications">Information on material specifications can be found here</a>
Color	black
Insulation material	Polyamide (PA66)
Flammability class per UL94	V0
Contact material	Copper or copper alloy; surface-treated
Contact plating	Tin
Fire load	25.092 MJ
Weight	444 g

### Environmental requirements

Processing temperature	-5 ... +40 °C
Continuous operating temperature	-35 ... +85 °C
Note on continuous operating temperature	Insulating parts for temperatures ≤ 105 °C

### Commercial data

eCl@ss 10.0	27-44-06-03
eCl@ss 9.0	27-44-06-03
ETIM 8.0	EC002567
ETIM 7.0	EC002567
PU (SPU)	1 pcs
Packaging type	Box
Country of origin	DE
GTIN	4055143304573
Customs tariff number	85366990990

## Environmental Product Compliance

RoHS Compliance Status	Compliant, No Exemption
------------------------	-------------------------

## Downloads

### Environmental Product Compliance

Compliance Search	
Environmental Product Compliance 899-631/338-000	↓

## Documentation

Bid Text			
899-631/338-000	19.02.2019	xml 3.81 KB	↓
899-631/338-000	23.02.2015	doc 26.50 KB	↓
ausschreiben.de 899-631/338-000			↓

## 1 Compatible Products

### 1.1 System counterpart

#### 1.1.1 Cable assembly



**Item No.: 771-9993/206-101**  
pre-assembled connecting cable; Eca; Plug/open-ended; 3-pole; Cod. A; H05VV-F 3G 1.5 mm<sup>2</sup>; 1 m; 1,50 mm<sup>2</sup>; black



**Item No.: 771-9993/006-101**  
pre-assembled interconnecting cable; Eca; Socket/plug; 3-pole; Cod. A; H05VV-F 3G 1.5 mm<sup>2</sup>; 1 m; 1,50 mm<sup>2</sup>; black

#### 1.1.2 Male connector/plug



**Item No.: 770-213**  
Plug; 3-pole; Cod. A; 4,00 mm<sup>2</sup>; black



**Item No.: 770-113**  
Plug; with strain relief housing; 3-pole; Cod. A; 4,00 mm<sup>2</sup>; black



**Item No.: 770-213/035-000**  
Plug; with strain relief housing; 3-pole; Cod. A; 4,00 mm<sup>2</sup>; black

## 1.2 Optional Accessories

### 1.2.1 Installation

#### 1.2.1.1 Mounting accessories



Item No.: [899-680](#)

Mounting plate; for distribution boxes; gray

## Installation Notes

### Installation

