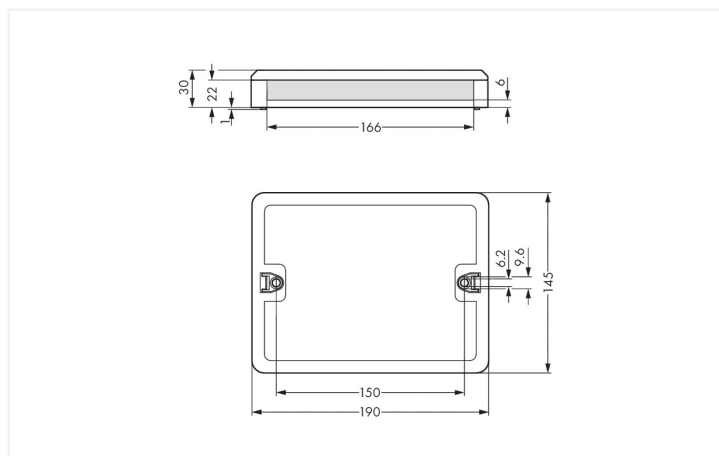
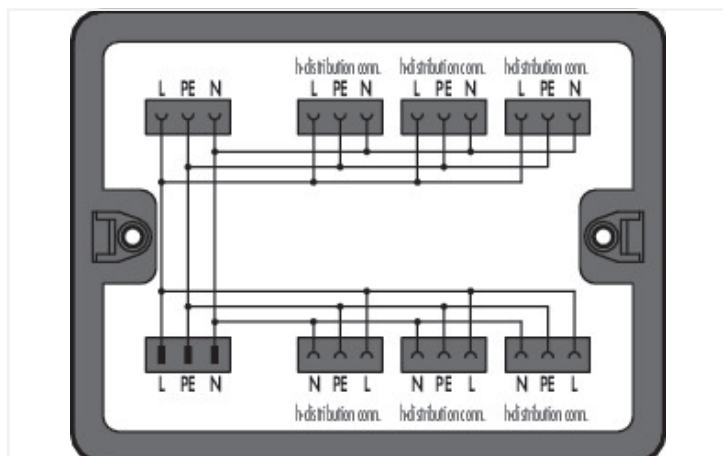


# Data Sheet | Item Number: 899-631/334-000

Distribution box; Single-phase current (230 V); 1 input; 13 outputs; Cod. A; MIDI; black

<https://www.wago.com/899-631/334-000>



Color: ■ black

Dimensions in mm

## Distribution box WINSTA® A coding

The distribution box from the WINSTA® product line with protection against mismatching is the intelligent solution for straightforward electrical installation. With WAGO, you benefit from a large selection of accessories for the WINSTA® product line. The mechanical coding and color coding of the distribution box ensure error-free installation of the individual components – including protection against mismatching. The distribution box is protected against ingress by solid objects in accordance with protection type IP20 (When mated: IP2xC (These compact connectors are not designed for use in open, easily accessible areas!)). Thanks to the color coding and mechanical A coding of WINSTA® distribution boxes, you can clearly distinguish different circuits. Important parameters in the selection of a distribution box are the rated current and voltage: They provide information about possible domains of use and applications. This product has a current rating of 25 A – so it is also suitable for powerful loads.

Lower costs through fast commissioning and elimination of service expenses – solutions from WINSTA®

WINSTA® is the pluggable connection system that is perfectly tailored to the strict requirements of electrical installation. It ensures error-free installation of cables and components, quickly and reliably. Take advantage of the pluggable version of our maintenance-free spring pressure connection technology tool! Plan your installation with with protection type IP20 from WAGO.

- effective protection against mismatching
- intuitive distribution box marking
- saves time, since no wiring is required at the construction site
- with A coding for a large number of uses
- convenient installation and commissioning

## Electrical data

Ratings per	IEC/EN 60664-1		
Overvoltage category	III	III	II
Pollution degree	3	2	2
Nominal voltage	250 V	-	-
Rated surge voltage	4 kV	-	-
Rated current	25 A	-	-

## General information

Note on contact resistance	approx. 1 mΩ contact resistance approx. 0.25 mΩ contact transition (plug/socket)
----------------------------	---

### Physical data

Width	190 mm / 7.48 inches
Height	30 mm / 1.181 inches
Depth	145 mm / 5.709 inches

### Mechanical data

Internal wiring	4 mm <sup>2</sup>
Application	Single-Phase Current (230 V)
Coding	A
Mounting type	Wall, screw mount Installation on mounting plate
Protection type	IP20; When mated: IP2xC (These compact connectors are not designed for use in open, easily accessible areas!)

### Plug-in connection

Mismating protection	Yes
Note on mismating protection	All <i>WINSTA</i> ® components are 100% protected against mismating when: a.) plugging different numbers of poles b.) plugging while rotated 180 c.) plugging while laterally staggered d.) plugging one pole
Locking of plug-in connection	Locking lever

### Material data

Note (material data)	<a href="https://www.wago.com/us/material-specifications">Information on material specifications can be found here</a>
Color	black
Insulation material	Polyamide (PA66)
Flammability class per UL94	V0
Contact material	Copper or copper alloy; surface-treated
Contact plating	Tin
Fire load	10.891 MJ
Weight	466.5 g

### Environmental requirements

Processing temperature	-5 ... +40 °C
Continuous operating temperature	-35 ... +85 °C
Note on continuous operating temperature	Insulating parts for temperatures ≤ 105 °C

### Commercial data

eCl@ss 10.0	27-44-06-03
eCl@ss 9.0	27-44-06-03
ETIM 8.0	EC002567
ETIM 7.0	EC002567
PU (SPU)	1 pcs
Packaging type	Box
Country of origin	DE
GTIN	4055143303279
Customs tariff number	85366990990

Environmental Product Compliance	
RoHS Compliance Status	Compliant, No Exemption

## Downloads

### Environmental Product Compliance

Compliance Search	
Environmental Product Compliance 899-631/334-000	↓

## Documentation

Bid Text			
899-631/334-000	19.02.2019	xml 3.40 KB	↓
899-631/334-000	11.03.2015	doc 25.00 KB	↓
ausschreiben.de 899-631/334-000			↓

## 1 Compatible Products

### 1.1 System counterpart

#### 1.1.1 Cable assembly



**Item No.: 771-9993/206-101**  
pre-assembled connecting cable; Eca; Plug/open-ended; 3-pole; Cod. A; H05VV-F 3G 1.5 mm²; 1 m; 1,50 mm²; black



**Item No.: 771-9993/106-101**  
pre-assembled connecting cable; Eca; Socket/open-ended; 3-pole; Cod. A; H05VV-F 3G 1.5 mm²; 1 m; 1,50 mm²; black



**Item No.: 771-9993/006-101**  
pre-assembled interconnecting cable; Eca; Socket/plug; 3-pole; Cod. A; H05VV-F 3G 1.5 mm²; 1 m; 1,50 mm²; black

#### 1.1.2 Female connector/socket



**Item No.: 770-203**  
Socket; 3-pole; Cod. A; 4,00 mm²; black



**Item No.: 770-103**  
Socket; with strain relief housing; 3-pole; Cod. A; 4,00 mm²; black



**Item No.: 770-203/035-000**  
Socket; with strain relief housing; 3-pole; Cod. A; 4,00 mm²; black

#### 1.1.3 Male connector/plug



**Item No.: 770-213**  
Plug; 3-pole; Cod. A; 4,00 mm²; black



**Item No.: 770-113**  
Plug; with strain relief housing; 3-pole; Cod. A; 4,00 mm²; black



**Item No.: 770-213/035-000**  
Plug; with strain relief housing; 3-pole; Cod. A; 4,00 mm²; black

## 1.2 Optional Accessories

### 1.2.1 Installation

#### 1.2.1.1 Mounting accessories



Item No.: [899-680](#)

Mounting plate; for distribution boxes; gray

## Installation Notes

### Installation

