

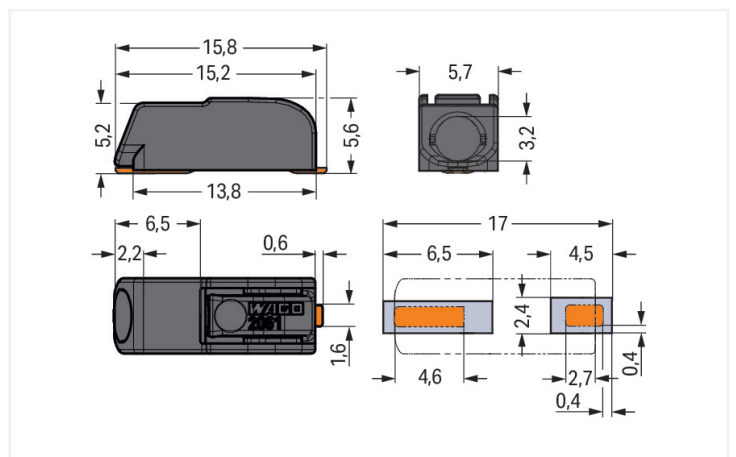
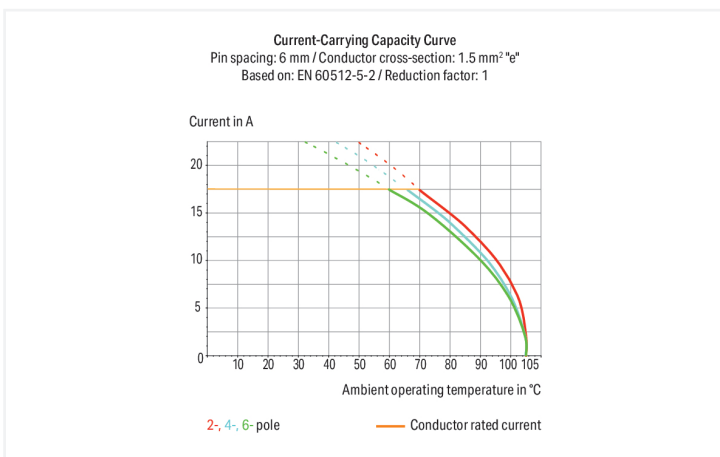
Data Sheet | Item Number: 2061-621/998-404

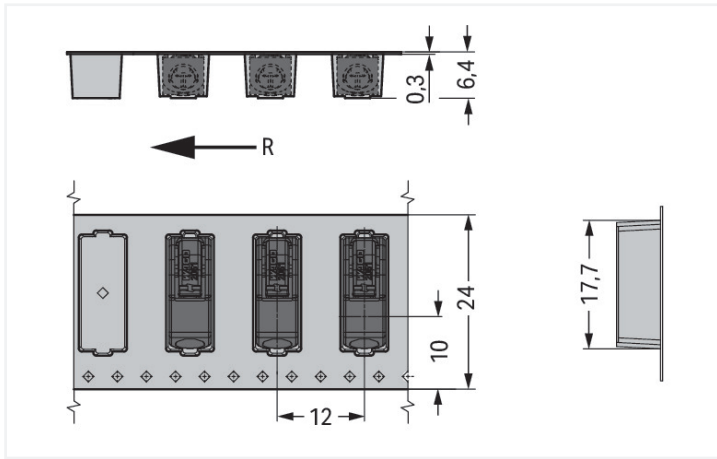
SMD PCB terminal block; push-button; 1.5 mm²; Pin spacing 6 mm; 1-pole; Push-in
CAGE CLAMP®; in tape-and-reel packaging; black

<https://www.wago.com/2061-621/998-404>



Color: ■ black





Dimensions in mm
R = feed direction

PCB terminal block, 2061 Series, 0° conductor entry to board

Connect conductors quickly and easily with this PCB terminal block (item number 2061-621/998-404). It is ideal for custom installations with different mounting types. Ensure that the strip lengths are between 7 and 10 mm when connecting conductors to this PCB terminal block. This product features one conductor terminal and utilizes Push-in CAGE CLAMP®. Our Push-in CAGE CLAMP® is a universal, maintenance-free connection solution for all conductor types, featuring a winning design: It allows direct insertion of both solid and fine-stranded conductors with ferrules without needing tools. No preparation is required; for example, crimping the conductor's ferrule is not necessary. Dimensions: (5.7 x 5.6 x 15.8) mm (width x height x depth). This PCB terminal block is suitable for conductor cross sections ranging from 0.25 mm² to 1.5 mm².

The contact surface is coated with tin. This PCB terminal block is operated with a push-button. The PCB terminal block is designed for SMD soldering. Insert the conductor at an angle of 0°.

| Notes | |
|----------------|--|
| Note | <p>Application notes: Suitable for lead-free, reflow-soldering profiles per DIN EN 61760-1 and IEC 60068-2-58 up to max. 260°C peak temperature. Due to application-specific variables (component configuration and orientation, type of soldering machine, solder paste), trial runs are recommended to ensure product and process compatibility under actual manufacturing conditions.</p> <p>Depending on reflow soldering temperatures and times, color deviations may occur. These deviations will have no impact on functionality.</p> |
| Recommendation | <p>Recommendation for stencil: 150 µm material thickness; Pattern layout identical to solder pad layout</p> |

| Electrical data | | | | | | | |
|---------------------------------|----------------|--------|--------|---------------|---------|---|-------|
| Ratings per | IEC/EN 60664-1 | | | Approvals per | UL 1059 | | |
| Overvoltage category | III | III | II | Use group | B | C | D |
| Pollution degree | 3 | 2 | 2 | Rated voltage | 600 V | - | 600 V |
| Nominal voltage | 250 V | 320 V | 630 V | Rated current | 10 A | - | 5 A |
| Rated impulse withstand voltage | 4 kV | 4 kV | 4 kV | | | | |
| Rated current | 17.5 A | 17.5 A | 17.5 A | | | | |

Connection Data

| | |
|----------------------------|---|
| Clamping units | 1 |
| Total number of potentials | 1 |
| Number of connection types | 1 |
| Number of levels | 1 |

Connection 1

| | |
|---|--|
| Connection technology | Push-in CAGE CLAMP® |
| Actuation type | Push-button |
| Solid conductor | 0.25 ... 1.5 mm ² / 20 ... 16 AWG |
| Fine-stranded conductor | 0.5 ... 1.5 mm ² / 20 ... 16 AWG |
| Fine-stranded conductor; with insulated ferrule | 0.5 ... 0.75 mm ² |
| Fine-stranded conductor; with uninsulated ferrule | 0.5 ... 0.75 mm ² |
| Strip length | 7 ... 10 mm / 0.28 ... 0.39 inches |
| Conductor connection direction to PCB | 0° |
| Pole number | 1 |

Physical data

| | |
|--|------------------------|
| Pin spacing | 6 mm / 0.24 inches |
| Width | 5.7 mm / 0.224 inches |
| Height | 5.6 mm / 0.22 inches |
| Height from the surface | 5.6 mm / 0.22 inches |
| Depth | 15.8 mm / 0.622 inches |
| Reel diameter of tape-and-reel packaging | 330 mm |
| Tape width | 24 mm |

PCB contact

| | |
|-------------------------------------|--|
| PCB contact | SMD |
| Solder pin arrangement | over the entire terminal strip (in-line) |
| Number of solder pins per potential | 2 |

Material data

| | |
|------------------------------------|--|
| Note (material data) | Information on material specifications can be found here |
| Color | black |
| Material group | I |
| Insulation material (main housing) | Polyphthalamide (PPA GF) |
| Flammability class per UL94 | V0 |
| Contact material | Copper alloy |
| Contact Plating | Tin |
| Fire load | 0.014 MJ |
| Weight | 0.9 g |
| MSL per J-STD 020D | 1 |

Environmental requirements

| | |
|-------------------------|-----------------|
| Limit temperature range | -60 ... +105 °C |
|-------------------------|-----------------|

Commercial data

| | |
|-----------------------|----------------|
| PU (SPU) | 8100 (900) pcs |
| Packaging type | Box |
| Country of origin | CN |
| GTIN | 4055143251129 |
| Customs tariff number | 85369010000 |

Product Classification

| | |
|-------------|----------------------|
| UNSPSC | 39121409 |
| eCl@ss 10.0 | 27-14-11-06 |
| eCl@ss 9.0 | 27-14-11-06 |
| ETIM 9.0 | EC001284 |
| ETIM 10.0 | EC001284 |
| ECCN | NO US CLASSIFICATION |

Environmental Product Compliance

| | |
|------------------------|-------------------------|
| RoHS Compliance Status | Compliant, No Exemption |
|------------------------|-------------------------|

Approvals / Certificates

General approvals



| Approval | Standard | Certificate Name |
|---|--------------|------------------|
| CCA DEKRA Certification B.V. | EN 60947-7-4 | NTR NL-7773 |
| CCA DEKRA Certification B.V. | EN 60947-7-4 | 71-110254 |
| CCA DEKRA Certification B.V. | EN 60838 | NTR NL-7721 |
| cURus Underwriters Laboratories Inc. | UL 1059 | E45172 |
| KEMA/KEUR DEKRA Certification B.V. | EN 60838 | 71-106232 |

Downloads

Environmental Product Compliance

Compliance Search

| | |
|--|---|
| Environmental Product Compliance 2061-621/998-404 | ↓ |
|--|---|

Documentation

Additional Information

| | | | |
|-------------------|------------|-------------------|-------------------|
| Technical Section | 03.04.2019 | pdf 2027.26 KB | ↓ |
|-------------------|------------|-------------------|-------------------|

CAD/CAE-Data

CAD data

| | |
|----------------------------------|-------------------|
| 2D/3D Models 2061-621/998-404 | ↓ |
|----------------------------------|-------------------|

CAE data

| | |
|----------------------------------|-------------------|
| ZUKEN Portal 2061-621/998-404 | ↓ |
|----------------------------------|-------------------|

PCB Design

| | |
|--|-------------------|
| Symbol and Footprint via SamacSys 2061-621/998-404 | ↓ |
|--|-------------------|

| | |
|---|-------------------|
| Symbol and Footprint via Ultra Librarian 2061-621/998-404 | ↓ |
|---|-------------------|

1 Compatible Products

1.1 Optional Accessories

1.1.1 Board-to-board link

1.1.1.1 Board-to-board link



Item No.: 2061-901

Board-to-Board Link; Pin spacing 6 mm;
1-pole; Length: 30 mm; white

Item No.: 2061-901/034-000

Board-to-Board Link; Pin spacing 6 mm;
1-pole; Length: 34 mm; white

1.1.2 Ferrule

1.1.2.1 Ferrule



Item No.: 216-201

Ferrule; Sleeve for 0.5 mm² / 20 AWG; in-
sulated; electro-tin plated; electrolytic
copper; acc. to DIN 46228, Part 4/09.90;
white



Item No.: 216-241

Ferrule; Sleeve for 0.5 mm² / 20 AWG; in-
sulated; electro-tin plated; electrolytic
copper; gastight crimped; acc. to DIN
46228, Part 4/09.90; white



Item No.: 216-141

Ferrule; Sleeve for 0.5 mm² / 20 AWG; un-
insulated; electro-tin plated; electrolytic
copper; gastight crimped; acc. to DIN
46228, Part 1/08.92



Item No.: 216-101

Ferrule; Sleeve for 0.5 mm² / AWG 22; un-
insulated; electro-tin plated; silver-colored



Item No.: 216-242

Ferrule; Sleeve for 0.75 mm² / 18 AWG; in-
sulated; electro-tin plated; electrolytic
copper; gastight crimped; acc. to DIN
46228, Part 4/09.90; gray



Item No.: 216-262

Ferrule; Sleeve for 0.75 mm² / 18 AWG; in-
sulated; electro-tin plated; electrolytic
copper; gastight crimped; acc. to DIN
46228, Part 4/09.90; gray



Item No.: 216-202

Ferrule; Sleeve for 0.75 mm² / 18 AWG; in-
sulated; electro-tin plated; gray



Item No.: 216-142

Ferrule; Sleeve for 0.75 mm² / 18 AWG;
uninsulated; electro-tin plated; electrolytic
copper; gastight crimped; acc. to DIN
46228, Part 1/08.92



Item No.: 216-102

Ferrule; Sleeve for 0.75 mm² / AWG 20; un-
insulated; electro-tin plated; silver-colored

1.1.3 Tool

1.1.3.1 Operating tool



Item No.: [206-866](#)

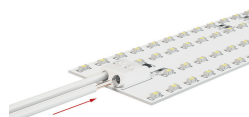
Operating tool; for 2061 Series

Item No.: [2061-190](#)

Operating tool; made of insulating material

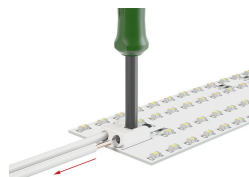
Installation Notes

Conductor termination



Inserting solid conductors via push-in termination.

Conductor termination



Easy conductor removal, e.g., via operating tool (206-861)