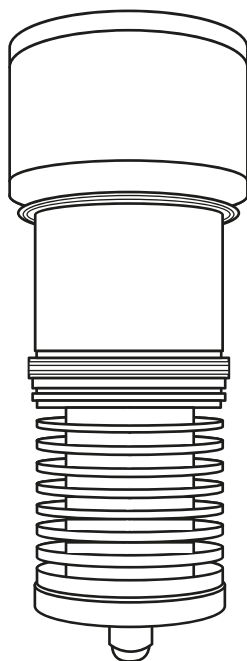




Read these instructions & save for future use

## Garden light | Ø115mm | head part | 15W | 3000K | IP65 | dim



Article number **149-330**

Brand **Tronix Lighting**

Type **Garden lighting**

Contents of this product **1x head garden light 15W 3000K**  
**Optional: Lamp post 20, 50 or 80 CM**

Technical datasheet **Digitally available**  
**on our webshop**



*View instructions and  
technical data also on  
our website*

**TRONIX**



## Before first use

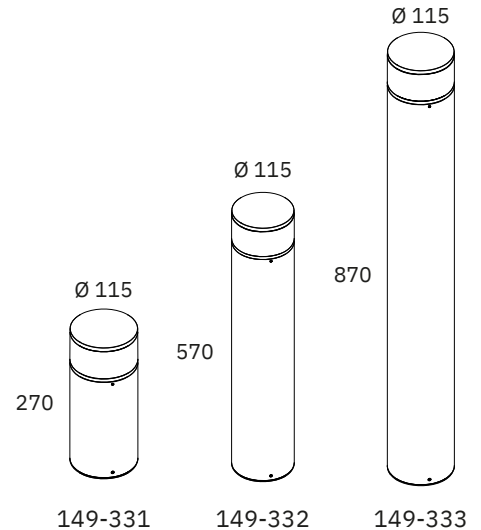
Before getting started with this product, it is advisable to check the order completeness and any damage. If this is the case, please contact Tronix Lighting.

## Description

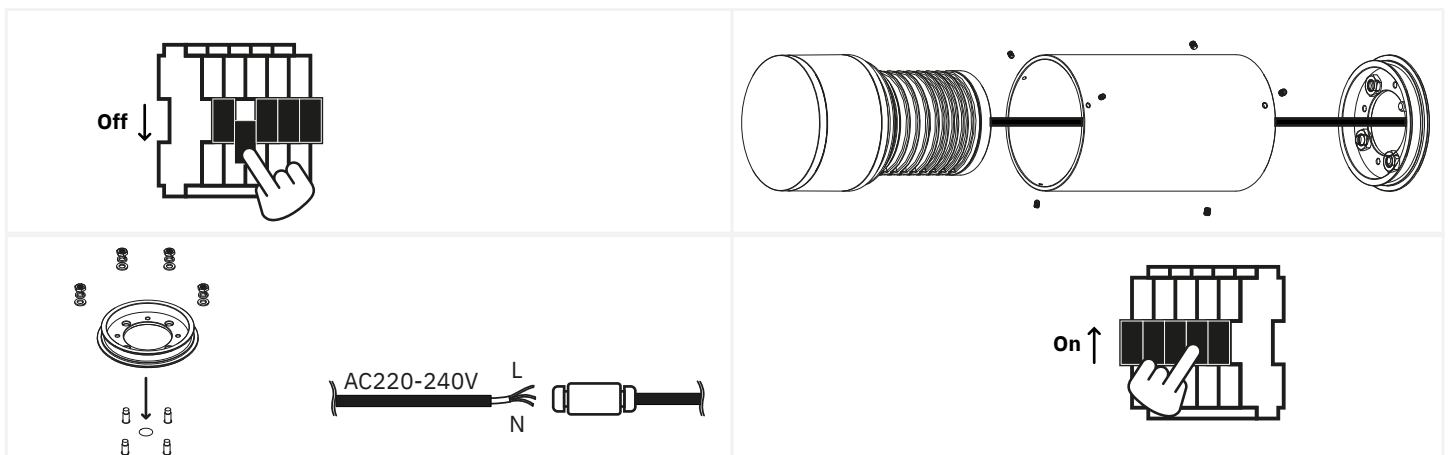
This complete, sturdy garden light features a warm, pleasant light color (3000K) and emits a lot of light. This allows many a garden, lawn or path to be illuminated without the risk of overexposure. The light is softened with the help of the semi-transparent glass, providing a fine light experience.

### Features

- Dimmable on phase off and on;
- Easy to mount;
- To be combined with a 20 CM pole (149-331), 50 CM (149-332) or 80 CM (149-333);
- Includes 150 CM connecting cable with waterproof 2-PG9 connector.



## Installation



1. Turn off the power, remove the product and associated parts from their packaging and check the wiring present before installation;
2. Insert the head of the garden lamp into the appropriate lamp post and pull the cable through. Then insert the screws so that they clamp the lamp;
3. Attach the base plate to the foundation and secure it with the materials provided. Next, place the pole on the base plate and secure it. Then connect the lamp using the waterproof 2-PG9 connector;
4. Check the complete installation after the garden spotlight is installed. Should it be in order, the mains power can be reactivated.



## Safety

Safety is a top priority at Tronix Lighting. Therefore, we heartily recommend that you follow the following steps closely:

- Keep this manual carefully for future reference;
- Choose a qualified electrician while installing, maintaining or inspecting this product;
- Never look directly into a light source to avoid possible damage to the eye;
- Always ensure that the relevant power group is on non-active when the product is connected;
- Use only recommended combinations (LED drivers, controllers or dimmers) to avoid injury or damage to the product.

## Technical problems and repair

Should a product not work properly after installation, or if the product exhibits problems over time, it is advisable to check the following elements:

- Check the wiring and installation of your product;
- Check for the presence of disruptive elements such as dust, water or other electronics;
- Should it be possible, try disconnecting the product and testing it in another location to rule out a problem at the location;

Should you be dealing with a WIFI-based product, check and reset your router's settings.

Should the product still not work after testing, it is recommended to send it in for inspection and/or repair. To do so, please contact Tronix Lighting using nearby details and proof of purchase (packing slip).



CARE



SHARE



CONNECT

### Supplier:

Tronix Lighting B.V

Vluchtoord 41  
5406 XP Uden, Netherlands

+31 (0)413 330 380  
sales@tronixlighting.com

## Terms and symbols (as relevant to product)



The **CE mark** indicates that this product complies with EU regulations on safety, health and environmental protection;



The **WEEE symbol** stands for "Waste Electrical and Electronic Equipment Regulation," a directive on the collection, recycling and recovery of electronic waste;



The **Class I symbol** indicates that this product is protected by means of the additional ground cable. This cable is identified by the yellow/green jacket and is attached to this product.

- This product has an **IP65 rating**. This means the housing is touch-safe, fully protected from dust and spray-proof (12.5 L/min) regardless of angle.