

Presence detector P34MR, KNX®, 5 channels, 7-8 m, IP54, mini, for flush mounting, white

350-34001



4 year warranty



KNX®



master/secondary



IP54



10 lx – 2,000 lx



360°



ø 8 m from a height of 3 m



2 m – 4 m



flush-mounting



This flat lens mini presence detector with 5 channels is suitable for KNX® systems. It can be flush mounted in the ceiling or in thin ceiling profiles. A black deco ring can be ordered separately. The detector is in conformity with the European directive for EMC and safety EN 60669-2-1.

Colour: white

Compatible secondary detectors: 350-34001

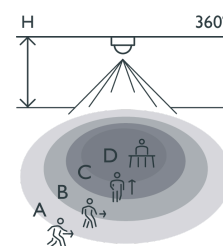
Compatible master detectors:

- High performing flat lens
- Plug-in terminals for fast installation
- Easy configuration (well-structured ETS file)
- 5 channels
- Various applications: presence, lux, constant light switch, HVAC, alarm
- Flat design, available in white and black finish (exchangeable deco ring)
- IP54

Detection range

H	A Walking	B Across	C Towards	D Presence
2.5 m	ø 7 m	ø 7 m	ø 2 m	ø 5 m
3.0 m	ø 8 m	ø 8 m	ø 2 m	ø 3 m

Measured according to EN/IEC63180



H	A Walking	B Across	C Towards	D Presence
2.5 m	ø 7 m	ø 7 m	ø 2 m	ø 5 m
3.0 m	ø 8 m	ø 8 m	ø 2 m	ø 3 m

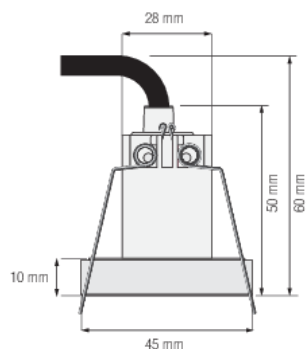
Measured according to EN/IEC63180



Technical features

Compatible secondary detectors	350-34001
Configuration	master/secondary
Input voltage	30 Vdc via KNX®-bus
Detector output	KNX®
Maximum current consumption	10 mA
Switch-off delay	1 sec – 65,535 sec
Maximum power consumption	0.3 W
Detection angle	360 °
Detection range (PIR)	ø 8 m from a height of 3 m
Minimum ambient temperature	-20 °C
Maximum ambient temperature	+50 °C
Mounting method	flush-mounting
Mounting height	2 m – 4 m
Colour	white
Colour RAL (approximately)	9010
Dimensions visible (HxWxD)	45 mm x 45 mm
Dimensions (HxWxD)	45 mm x 45 mm x 50 mm
Protection degree standalone	IP54
Impact resistance	IK02
Modification of settings	ETS software

Dimensions



Wiring diagram

