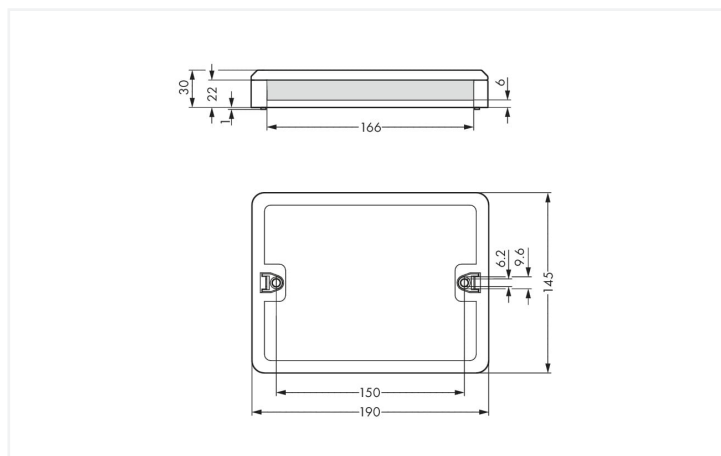
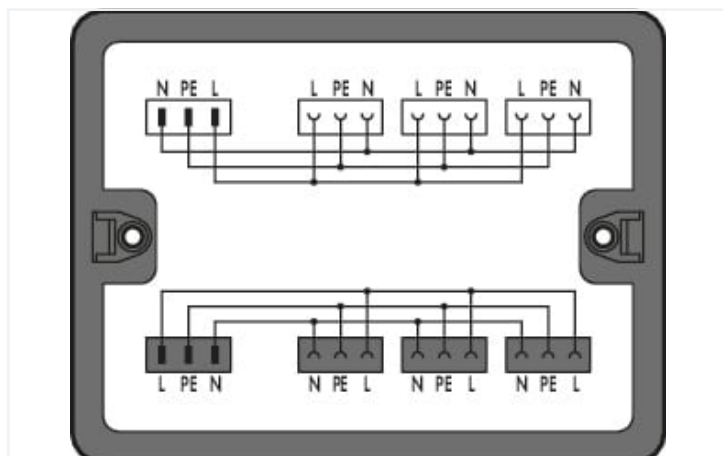


# Data Sheet | Item Number: 899-631/327-000

Distribution box; Single-phase current (230 V); 2 inputs; 6 outputs; Cod. A; MIDI; black

<https://www.wago.com/899-631/327-000>



Color: ■ black

Dimensions in mm

Distribution box WINSTA® with protection type IP20

Thanks to the distribution box from the WINSTA® product line with protection against mismatching, straightforward installation is guaranteed. You can rely on the level of quality of WINSTA® components from WAGO for your electrical installation accessories too. The coding options reduce installation errors, allowing fast, maintenance-free wiring of all components. The distribution box is protected against ingress by solid objects in accordance with protection type IP20 (When mated: IP2xC (These compact connectors are not designed for use in open, easily accessible areas!)). Thanks to the color coding and mechanical A coding of WINSTA® distribution boxes, you can clearly distinguish different circuits. This distribution box can be used for electrical currents up to 25 A. Thus the product is ideally suitable for high power loads.

Push-in CAGE CLAMP® spring pressure connection technology – pluggable installation instead of laborious screw connections!

The WINSTA® Pluggable Connection System allows pluggable electrical installation. This significantly reduces the need for servicing and lowers costs. Enjoy the benefits of the pluggable version of our maintenance-free spring pressure connection technology too! Plan your installation with with protection against mismatching from WAGO.

- distribution boxes with protection against mismatching
- intuitive distribution box marking
- saves time, since no wiring is required at the construction site
- with A coding for a large number of uses
- convenient installation and commissioning

## Electrical data

Ratings per	IEC/EN 60664-1		
Overvoltage category	III	III	II
Pollution degree	3	2	2
Nominal voltage	250 V	-	-
Rated surge voltage	4 kV	-	-
Rated current	25 A	-	-

## General information

Note on contact resistance	approx. 1 mΩ contact resistance approx. 0.25 mΩ contact transition (plug/ socket)
----------------------------	---

### Physical data

Width	190 mm / 7.48 inches
Height	30 mm / 1.181 inches
Depth	145 mm / 5.709 inches

### Mechanical data

Internal wiring	4 mm <sup>2</sup>
Application	Single-Phase Current (230 V)
Coding	A
Mounting type	Wall, screw mount Installation on mounting plate
Protection type	IP20; When mated: IP2xC (These compact connectors are not designed for use in open, easily accessible areas!)

### Plug-in connection

Mismating protection	Yes
Note on mismating protection	All <i>WINSTA</i> <sup>®</sup> components are 100% protected against mismating when: a.) plugging different numbers of poles b.) plugging while rotated 180 c.) plugging while laterally staggered d.) plugging one pole
Locking of plug-in connection	Locking lever

### Material data

Note (material data)	<a href="https://www.wago.com/us/material-specifications">Information on material specifications can be found here</a>
Color	black
Insulation material	Polyamide (PA66)
Flammability class per UL94	V0
Contact material	Copper or copper alloy; surface-treated
Contact plating	Tin
Fire load	7.67 MJ
Weight	333.2 g

### Environmental requirements

Processing temperature	-5 ... +40 °C
Continuous operating temperature	-35 ... +85 °C
Note on continuous operating temperature	Insulating parts for temperatures ≤ 105 °C

### Commercial data

eCl@ss 10.0	27-44-06-03
eCl@ss 9.0	27-44-06-03
ETIM 8.0	EC002567
ETIM 7.0	EC002567
PU (SPU)	1 pcs
Packaging type	Box
Country of origin	DE
GTIN	4055143296243
Customs tariff number	85366990990

**Environmental Product Compliance**

RoHS Compliance Status	Compliant, No Exemption
------------------------	-------------------------

**Downloads**

**Environmental Product Compliance**

<b>Compliance Search</b>	
Environmental Product Compliance 899-631/327-000	↓

**Documentation**

<b>Bid Text</b>			
899-631/327-000	19.02.2019	xml 3.56 KB	↓
899-631/327-000	23.02.2015	doc 25.50 KB	↓

**1 Compatible Products**

**1.1 System counterpart**

**1.1.1 Cable assembly**

<p><b>Item No.: 771-9993/206-101</b> pre-assembled connecting cable; Eca; Plug/open-ended; 3-pole; Cod. A; H05VV-F 3G 1.5 mm<sup>2</sup>; 1 m; 1,50 mm<sup>2</sup>; black</p>	<p><b>Item No.: 771-9993/206-102</b> pre-assembled connecting cable; Eca; Plug/open-ended; 3-pole; Cod. A; H05VV-F 3G 1.5 mm<sup>2</sup>; 1 m; 1,50 mm<sup>2</sup>; white</p>	<p><b>Item No.: 771-9993/106-101</b> pre-assembled connecting cable; Eca; Socket/open-ended; 3-pole; Cod. A; H05VV-F 3G 1.5 mm<sup>2</sup>; 1 m; 1,50 mm<sup>2</sup>; black</p>	<p><b>Item No.: 771-9993/106-102</b> pre-assembled connecting cable; Eca; Socket/open-ended; 3-pole; Cod. A; H05VV-F 3G 1.5 mm<sup>2</sup>; 1 m; 1,50 mm<sup>2</sup>; white</p>
<p><b>Item No.: 771-9993/006-101</b> pre-assembled interconnecting cable; Eca; Socket/plug; 3-pole; Cod. A; H05VV-F 3G 1.5 mm<sup>2</sup>; 1 m; 1,50 mm<sup>2</sup>; black</p>	<p><b>Item No.: 771-9993/006-102</b> pre-assembled interconnecting cable; Eca; Socket/plug; 3-pole; Cod. A; H05VV-F 3G 1.5 mm<sup>2</sup>; 1 m; 1,50 mm<sup>2</sup>; white</p>		

**1.1.2 Female connector/socket**

<p><b>Item No.: 770-203</b> Socket; 3-pole; Cod. A; 4,00 mm<sup>2</sup>; black</p>	<p><b>Item No.: 770-223</b> Socket; 3-pole; Cod. A; 4,00 mm<sup>2</sup>; white</p>	<p><b>Item No.: 770-103</b> Socket; with strain relief housing; 3-pole; Cod. A; 4,00 mm<sup>2</sup>; black</p>	<p><b>Item No.: 770-203/035-000</b> Socket; with strain relief housing; 3-pole; Cod. A; 4,00 mm<sup>2</sup>; black</p>
<p><b>Item No.: 770-123</b> Socket; with strain relief housing; 3-pole; Cod. A; 4,00 mm<sup>2</sup>; white</p>	<p><b>Item No.: 770-223/035-050</b> Socket; with strain relief housing; 3-pole; Cod. A; 4,00 mm<sup>2</sup>; white</p>		

### 1.1.3 Male connector/plug



**Item No.: 770-213**

Plug; 3-pole; Cod. A; 4,00 mm<sup>2</sup>; black



**Item No.: 770-233**

Plug; 3-pole; Cod. A; 4,00 mm<sup>2</sup>; white



**Item No.: 770-113**

Plug; with strain relief housing; 3-pole; Cod. A; 4,00 mm<sup>2</sup>; black



**Item No.: 770-213/035-000**

Plug; with strain relief housing; 3-pole; Cod. A; 4,00 mm<sup>2</sup>; black



**Item No.: 770-133**

Plug; with strain relief housing; 3-pole; Cod. A; 4,00 mm<sup>2</sup>; white



**Item No.: 770-233/035-050**

Plug; with strain relief housing; 3-pole; Cod. A; 4,00 mm<sup>2</sup>; white

## 1.2 Optional Accessories

### 1.2.1 Installation

#### 1.2.1.1 Mounting accessories



**Item No.: 899-680**

Mounting plate; for distribution boxes; gray

## Installation Notes

### Installation

