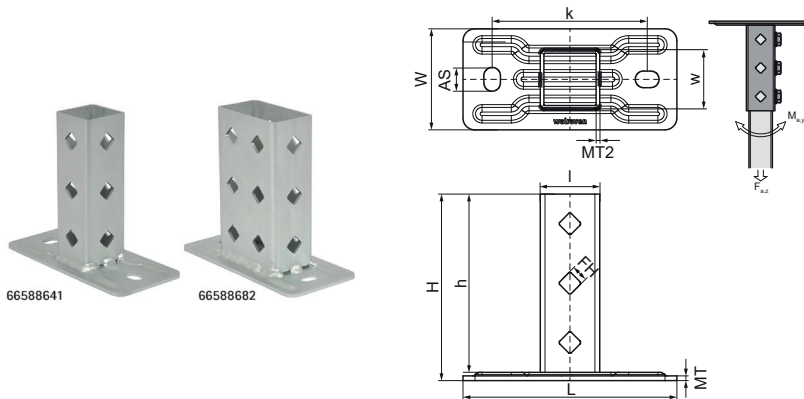


Walraven RapidStrut® Base Plate Heavy Duty (BUP1000)

(H1213)

base foot to connect fixing rails



Features & benefits

- heavy base plate for Walraven RapidStrut® rails
- can be used together with slide nut with plastic tabs or throughbolts
- hole pattern is adapted to the hole pattern of Walraven RapidStrut® rails
- closed profile for increased structural strength
- material: steel 1.0332
- product is part of the Walraven Walraven UltraProtect® 1000 system
- suitable for in- and outdoor applications
- stands min. 1,000 hours salt spray test (max. 5% red rust) according to ISO 9227



Product Number	For Rail Type	Total Height	Total Width	Total Length	Width	Height	Length	Heart To Heart Distance	Anchoring Slot	Fixing Hole	Material Thickness	Material Thickness 2	Maximum Allowed Load Faz
Reference letter		H	W	L	w	h	l	k	AS	FH	MT	MT2	F _{0,z}
Unit description		mm	mm	mm	mm	mm	mm	mm	mm	mm	mm	mm	N
66588641	41x21, 41x41, 41x51, 41x62, 41x82	157	85	180	50	150	50	130.5	20x14	13.8	4.00	3	4,242
66588682	41x21, 41x41, 41x51, 41x62, 41x82	157	85	180	50	150	90	130.5	20x14	13.8	4.00	3	7,273