

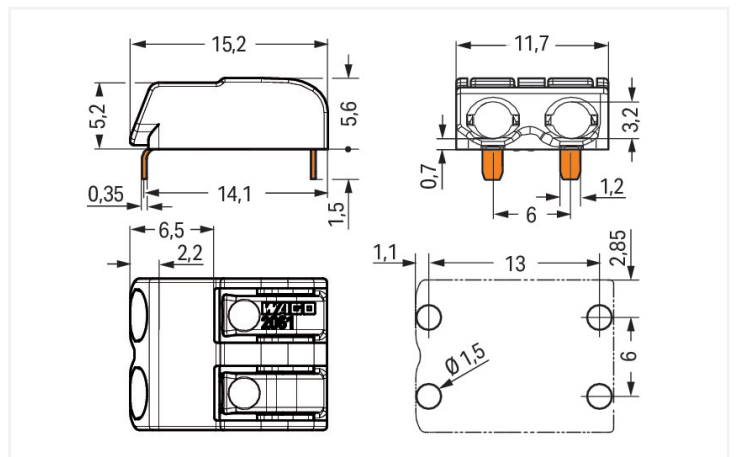
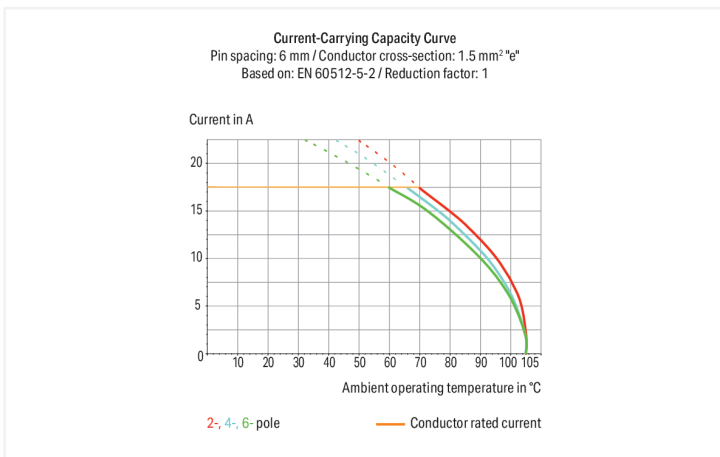
**Data Sheet | Item Number: 2061-1642/998-404**

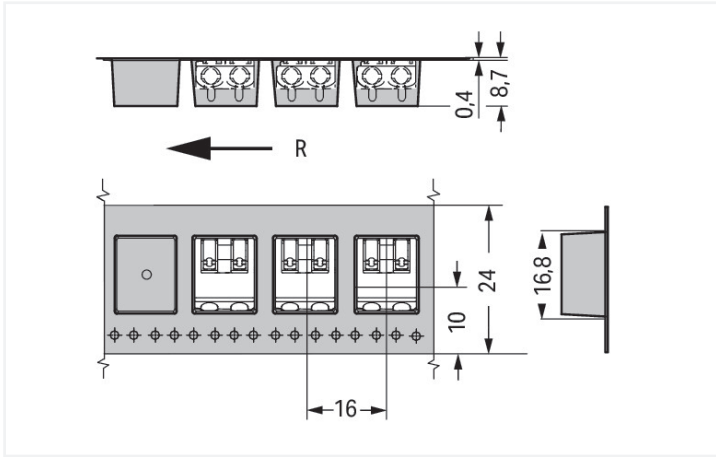
THR PCB terminal block; push-button; 1.5 mm<sup>2</sup>; Pin spacing 6 mm; 2-pole; Push-in  
CAGE CLAMP®; in tape-and-reel packaging; white

<https://www.wago.com/2061-1642/998-404>



Color: ■ white





Dimensions in mm

PCB terminal block, 2061 Series, solder pin dimensions 1.2 x 0.35 mm

Connect conductors quickly and safely with this PCB terminal block (item number 2061-1642/998-404). You can count on proven safety with these PCB terminal blocks, perfect for a wide range of applications when designing your devices. Strip lengths must be between 7 and 10 mm when connecting conductors to this PCB terminal block. Featuring one conductor terminal along with Push-in CAGE CLAMP®, this connector outperforms the competition. Push-in CAGE CLAMP® connection technology is ideal for connecting all conductor types. It allows direct insertion of both solid and fine-stranded conductors with ferrules without needing to use any tools—all thanks to its pluggable design. Dimensions: (11.7 x 7.1 x 15.2) mm (width x height x depth). This PCB terminal block is suitable for conductor cross sections ranging from 0.25 mm<sup>2</sup> to 1.5 mm<sup>2</sup>.

The contact surface is coated with tin. This PCB terminal block is operated with a push-button. The PCB terminal block is designed for THR soldering. Insert the conductor at a 0° angle.

| Notes          |  |
|----------------|--|
| Note           | <p>Application notes:<br/>Suitable for lead-free, reflow-soldering profiles per DIN EN 61760-1 and IEC 60068-2-58 up to max. 260°C peak temperature. Due to application-specific variables (component configuration and orientation, type of soldering machine, solder paste), trial runs are recommended to ensure product and process compatibility under actual manufacturing conditions.</p> <p>Depending on reflow soldering temperatures and times, color deviations may occur. These deviations will have no impact on functionality.</p> |
| Recommendation | <p>Recommendation for stencil:<br/>150 µm material thickness<br/>Stencil hole diameter identical to metal-plated PCB hole outer diameter</p>   |

| Electrical data                 |                |        |        |               |         |         |
|---------------------------------|----------------|--------|--------|---------------|---------|---------|
| Ratings per                     | IEC/EN 60664-1 |        |        | Approvals per | UL 1059 |         |
| Overvoltage category            | III            | III    | II     | Use group     | B       | C D     |
| Pollution degree                | 3              | 2      | 2      | Rated voltage | 300 V   | - 300 V |
| Nominal voltage                 | 250 V          | 320 V  | 630 V  | Rated current | 10 A    | - 10 A  |
| Rated impulse withstand voltage | 4 kV           | 4 kV   | 4 kV   |               |         |         |
| Rated current                   | 17.5 A         | 17.5 A | 17.5 A |               |         |         |

## Connection Data

|                            |   |   |  |
|----------------------------|---|---|--|
| Clamping units             | 2 | <b>Connection 1</b>                               |  |
| Total number of potentials | 2 | Connection technology                             | Push-in CAGE CLAMP®                          |
| Number of connection types | 1 | Actuation type                                    | Push-button                                  |
| Number of levels           | 1 | Solid conductor                                   | 0.25 ... 1.5 mm <sup>2</sup> / 20 ... 16 AWG |
|                            |   | Fine-stranded conductor                           | 0.5 ... 1.5 mm <sup>2</sup> / 20 ... 16 AWG  |
|                            |   | Fine-stranded conductor; with insulated ferrule   | 0.5 ... 0.75 mm <sup>2</sup>                 |
|                            |   | Fine-stranded conductor; with uninsulated ferrule | 0.5 ... 0.75 mm <sup>2</sup>                 |
|                            |   | Strip length                                      | 7 ... 10 mm / 0.28 ... 0.39 inches           |
|                            |   | Conductor connection direction to PCB             | 0°   |
|                            |   | Pole number                                       | 2  |

## Physical data

|  |                          |
|--|--------------------------|
| Pin spacing                              | 6 mm / 0.24 inches       |
| Width                                    | 11.7 mm / 0.461 inches   |
| Height                                   | 7.1 mm / 0.28 inches     |
| Height from the surface                  | 5.6 mm / 0.22 inches     |
| Depth                                    | 15.2 mm / 0.598 inches   |
| Solder pin length                        | 1.5 mm                   |
| Solder pin dimensions                    | 1.2 x 0.35 mm            |
| Plated through-hole diameter (THR)       | 1.5 <sup>(+0.1)</sup> mm |
| Reel diameter of tape-and-reel packaging | 330 mm                   |
| Tape width                               | 24 mm                    |

## PCB contact

|                                     |  |
|-------------------------------------|--|
| PCB contact                         | THR                                      |
| Solder pin arrangement              | over the entire terminal strip (in-line) |
| Number of solder pins per potential | 2  |

## Material data

|                                    |  |
|------------------------------------|--|
| Note (material data)               | <a href="#">Information on material specifications can be found here</a> |
| Color                              | white  |
| Material group                     | I  |
| Insulation material (main housing) | Polyphthalamide (PPA GF)   |
| Flammability class per UL94        | V0   |
| Contact material                   | Copper alloy   |
| Contact Plating                    | Tin  |
| Fire load                          | 0.022 MJ   |
| Weight                             | 1.1 g  |
| MSL per J-STD 020D                 | 1  |

### Environmental requirements

|                         |                 |
|-------------------------|-----------------|
| Limit temperature range | -60 ... +105 °C |
|-------------------------|-----------------|

### Commercial data

|                       |                |
|-----------------------|----------------|
| PU (SPU)              | 4320 (480) pcs |
| Packaging type        | Box            |
| Country of origin     | CN             |
| GTIN                  | 4055143274678  |
| Customs tariff number | 85369010000    |

### Product Classification

|             |                      |
|-------------|----------------------|
| UNSPSC      | 39121409             |
| eCl@ss 10.0 | 27-14-11-06          |
| eCl@ss 9.0  | 27-14-11-06          |
| ETIM 9.0    | EC001284             |
| ETIM 10.0   | EC001284             |
| ECCN        | NO US CLASSIFICATION |

### Environmental Product Compliance

|                        |                         |
|------------------------|-------------------------|
| RoHS Compliance Status | Compliant, No Exemption |
|------------------------|-------------------------|

### Approvals / Certificates

#### General approvals



| Approval                                   | Standard     | Certificate Name |
|--|--------------|------------------|
| CCA<br>DEKRA Certification B.V.            | EN 60947-7-4 | NTR NL-7773      |
| CCA<br>DEKRA Certification B.V.            | EN 60947-7-4 | 71-110254        |
| CCA<br>DEKRA Certification B.V.            | EN 60838     | NTR NL-7721      |
| cURus<br>Underwriters Laboratories<br>Inc. | UL 1059      | E45172           |
| KEMA/KEUR<br>DEKRA Certification B.V.      | EN 60838     | 71-106232        |

### Downloads

#### Environmental Product Compliance

##### Compliance Search

Environmental Product  
Compliance  
2061-1642/998-404



## Documentation

| Additional Information |            |                   |  |
|------------------------|------------|-------------------|--|
| Technical Section      | 03.04.2019 | pdf<br>2027.26 KB |  |
|                        |            | pdf<br>535.32 KB  |  |

## CAD/CAE-Data

| CAD data                          |  |
|-----------------------------------|--|
| 2D/3D Models<br>2061-1642/998-404 |  |

| CAE data                          |  |
|-----------------------------------|--|
| ZUKEN Portal<br>2061-1642/998-404 |  |

## PCB Design

|  |  |
|--|--|
| Symbol and Footprint<br>via SamacSys<br>2061-1642/998-404        |  |
| Symbol and Footprint<br>via Ultra Librarian<br>2061-1642/998-404 |  |

## 1 Compatible Products

### 1.1 Optional Accessories

#### 1.1.1 Ferrule

##### 1.1.1.1 Ferrule



**Item No.: 216-201**

Ferrule; Sleeve for 0.5 mm<sup>2</sup> / 20 AWG; insulated; electro-tin plated; electrolytic copper; acc. to DIN 46228, Part 4/09.90; white

**Item No.: 216-241**

Ferrule; Sleeve for 0.5 mm<sup>2</sup> / 20 AWG; insulated; electro-tin plated; electrolytic copper; gastight crimped; acc. to DIN 46228, Part 4/09.90; white

**Item No.: 216-141**

Ferrule; Sleeve for 0.5 mm<sup>2</sup> / 20 AWG; un-insulated; electro-tin plated; electrolytic copper; gastight crimped; acc. to DIN 46228, Part 1/08.92

**Item No.: 216-101**

Ferrule; Sleeve for 0.5 mm<sup>2</sup> / AWG 22; un-insulated; electro-tin plated; silver-colored



**Item No.: 216-242**

Ferrule; Sleeve for 0.75 mm<sup>2</sup> / 18 AWG; insulated; electro-tin plated; electrolytic copper; gastight crimped; acc. to DIN 46228, Part 4/09.90; gray

**Item No.: 216-262**

Ferrule; Sleeve for 0.75 mm<sup>2</sup> / 18 AWG; insulated; electro-tin plated; electrolytic copper; gastight crimped; acc. to DIN 46228, Part 4/09.90; gray

**Item No.: 216-202**

Ferrule; Sleeve for 0.75 mm<sup>2</sup> / 18 AWG; insulated; electro-tin plated; gray

**Item No.: 216-142**

Ferrule; Sleeve for 0.75 mm<sup>2</sup> / 18 AWG; un-insulated; electro-tin plated; electrolytic copper; gastight crimped; acc. to DIN 46228, Part 1/08.92



**Item No.: 216-102**

Ferrule; Sleeve for 0.75 mm<sup>2</sup> / AWG 20; un-insulated; electro-tin plated; silver-colored

## 1.1.2 Tool

### 1.1.2.1 Operating tool



Item No.: [206-866](#)

Operating tool; for 2061 Series

Item No.: [2061-190](#)

Operating tool; made of insulating material

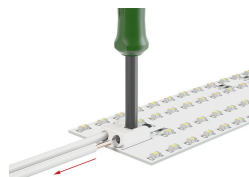
## Installation Notes

### Conductor termination



Inserting solid conductors via push-in termination.

### Conductor termination



Easy conductor removal, e.g., via operating tool (206-861)