

# Motion detector M34LR, KNX®, 5 channels, 39-41 m, IP40, for flush-mounting box, white

350-34003



4 year warranty



KNX®



master/secondary



IP40



10 lx – 2,000 lx



360°



ø 41 m from a height of 3 m



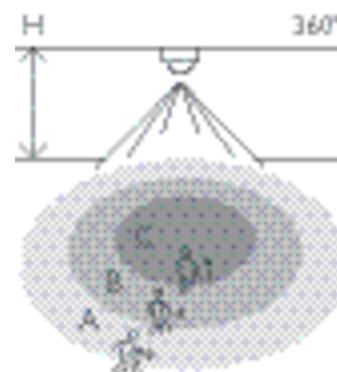
2 m – 3 m



flush-mounting box



## Detection range



This motion detector for long range with 5 channels is suitable for KNX® systems. It can be installed in a flush-mounting box. Spring clips for flush-mounting and a surface-mounting box can be ordered separately. The detector is in conformity with the European directive for EMC and safety EN 60669-2-1.

Colour: white

Compatible secondary detectors: 350-34003

Compatible master detectors:

- High performance (up to 41 m)
- Plug-in terminals for fast installation
- Easy configuration (well-structured ETS file)
- 5 channels
- Various applications: presence, lux, constant light switch, HVAC, alarm
- IP40
- For flush-mounting box, flush or surface mounting via accessories

H	A Walking	B Across	C Towards
2.5 m	ø 39 m	ø 26 m	ø 6 m
3.0 m	ø 41 m	ø 27 m	ø 7 m

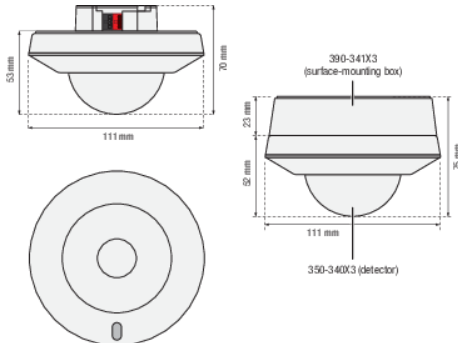
Measured according to EN/IEC63180



## Technical features

Compatible secondary detectors	350-34003
Configuration	master/secondary
Input voltage	30 Vdc via KNX®-bus
Detector output	KNX®
Maximum current consumption	10 mA
Switch-off delay	1 sec – 65,535 sec
Maximum power consumption	0.3 W
Detection angle	360 °
Detection range (PIR)	ø 41 m from a height of 3 m
Minimum ambient temperature	-20 °C
Maximum ambient temperature	+50 °C
Mounting method	flush-mounting box
Mounting height	2 m – 3 m
Colour	white
Colour RAL (approximately)	9010
Dimensions visible (HxWxD)	111 mm x 111 mm
Dimensions (HxWxD)	111 mm x 111 mm x 70 mm
Protection degree standalone	IP40
Impact resistance	IK02
Modification of settings	ETS software

## Dimensions



## Wiring diagram

