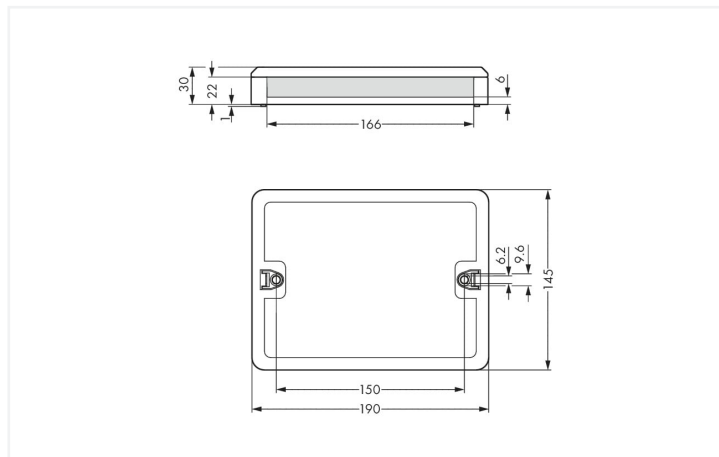
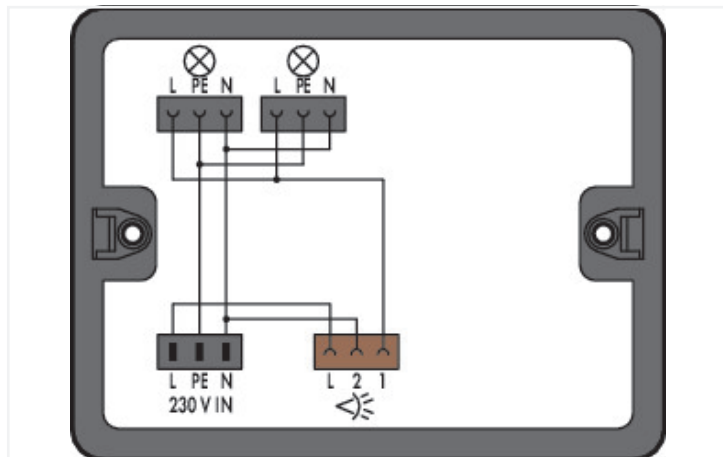


Data Sheet | Item Number: 899-631/309-000

Distribution box; Motion/presence detector; 1 input; 3 outputs; Cod. A, S; MIDI; black

<https://www.wago.com/899-631/309-000>



Color: ■ black

Dimensions in mm

Distribution box WINSTA® A coding

With the distribution box from the WINSTA® product line with A coding, straightforward installation is ensured. A comprehensive range of accessories rounds out the WINSTA® product line from WAGO. The coding options reduce installation errors, allowing fast, secure wiring of all components. The distribution box is protected against ingress by solid objects in accordance with protection type IP20 (When mated: IP2xC (These compact connectors are not designed for use in open, easily accessible areas!)). Thanks to the color coding and mechanical A coding of WINSTA® distribution boxes, you can clearly distinguish different circuits. The rated current and voltage are important criteria for selecting a distribution box: They tell us about the product's domains of use. This product has a current rating of 25 A – so it is also suitable for robust loads.

WINSTA® solutions for your electrical installation – protected against mismatching and maintenance-free

WINSTA® is the pluggable connection system that is ideally tailored to the strict requirements of electrical installation. It offers error-free installation of cables and components, quickly and reliably. Choose quality and durability – with protection against mismatching from WAGO makes the installation of electrical components substantially easier.

- effective protection against mismatching
- clear slot identification for easy commissioning
- products perfectly tailored to your requirements guarantee safe use
- for any mains application
- rapid, structured electrical installation

Electrical data

Ratings per	IEC/EN 60664-1		
Overvoltage category	III	III	II
Pollution degree	3	2	2
Nominal voltage	250 V	-	-
Rated surge voltage	4 kV	-	-
Rated current	25 A	-	-

General information

Note on contact resistance	approx. 1 mΩ contact resistance approx. 0.25 mΩ contact transition (plug/ socket)
----------------------------	---

Physical data

Width	190 mm / 7.48 inches
Height	30 mm / 1.181 inches
Depth	145 mm / 5.709 inches

Mechanical data

Internal wiring	4 mm ²
Application	Motion and Presence Detectors
Coding	A
Coding 2	S
Mounting type	Wall, screw mount Installation on mounting plate
Protection type	IP20; When mated: IP2xC (These compact connectors are not designed for use in open, easily accessible areas!)

Plug-in connection

Mismating protection	Yes
Note on mismating protection	All <i>WINSTA</i> ® components are 100% protected against mismating when: <ul style="list-style-type: none"> a.) plugging different numbers of poles b.) plugging while rotated 180 c.) plugging while laterally staggered d.) plugging one pole
Locking of plug-in connection	Locking lever

Material data

Note (material data)	Information on material specifications can be found here
Color	black
Insulation material	Polyamide (PA66)
Flammability class per UL94	V0
Contact material	Copper or copper alloy; surface-treated
Contact plating	Tin
Fire load	14.071 MJ
Weight	335.7 g

Environmental requirements

Processing temperature	-5 ... +40 °C
Continuous operating temperature	-35 ... +85 °C
Note on continuous operating temperature	Insulating parts for temperatures ≤ 105 °C

Commercial data

eCl@ss 10.0	27-44-06-03
eCl@ss 9.0	27-44-06-03
ETIM 8.0	EC002567
ETIM 7.0	EC002567
PU (SPU)	1 pcs
Packaging type	Box
Country of origin	DE
GTIN	4055143270960
Customs tariff number	85366990990

Environmental Product Compliance

RoHS Compliance Status	Compliant, No Exemption
------------------------	-------------------------

Downloads

Environmental Product Compliance

Compliance Search	
Environmental Product Compliance 899-631/309-000	↓

Documentation

Bid Text			
899-631/309-000	19.02.2019	xml 3.41 KB	↓
899-631/309-000	11.03.2015	doc 26.00 KB	↓

1 Compatible Products

1.1 System counterpart

1.1.1 Cable assembly



Item No.: 771-9993/206-101
pre-assembled connecting cable; Eca; Plug/open-ended; 3-pole; Cod. A; H05VV-F 3G 1.5 mm²; 1 m; 1,50 mm²; black



Item No.: 771-9973/206-105
pre-assembled connecting cable; Eca; Plug/open-ended; 3-pole; Cod. S; H05VV-F 3 x 1.5 mm²; 1 m; 1,50 mm²; brown



Item No.: 771-9993/106-101
pre-assembled connecting cable; Eca; Socket/open-ended; 3-pole; Cod. A; H05VV-F 3G 1.5 mm²; 1 m; 1,50 mm²; black



Item No.: 771-9993/006-101
pre-assembled interconnecting cable; Eca; Socket/plug; 3-pole; Cod. A; H05VV-F 3G 1.5 mm²; 1 m; 1,50 mm²; black



Item No.: 771-9973/006-105
pre-assembled interconnecting cable; Eca; Socket/plug; 3-pole; Cod. S; H05VV-F 3 x 1.5 mm²; 1 m; 1,50 mm²; brown

1.1.2 Female connector/socket



Item No.: 770-203
Socket; 3-pole; Cod. A; 4,00 mm²; black



Item No.: 770-103
Socket; with strain relief housing; 3-pole; Cod. A; 4,00 mm²; black



Item No.: 770-203/035-000
Socket; with strain relief housing; 3-pole; Cod. A; 4,00 mm²; black

1.1.3 Male connector/plug



Item No.: 770-1373
Plug; 3-pole; 4,00 mm²; brown



Item No.: 770-213
Plug; 3-pole; Cod. A; 4,00 mm²; black



Item No.: 770-113
Plug; with strain relief housing; 3-pole; Cod. A; 4,00 mm²; black



Item No.: 770-213/035-000
Plug; with strain relief housing; 3-pole; Cod. A; 4,00 mm²; black

1.2 Optional Accessories

1.2.1 Installation

1.2.1.1 Mounting accessories



Item No.: [899-680](#)

Mounting plate; for distribution boxes; gray

Installation Notes

Installation

