

Concord

MC2 90° HORIZ-CORNER EL WHT OPAL 2093183



Features

- 2093183 MC2 90° HORIZ-CORNER EL WHT OPAL 90 degree horizontal pre-wired corner accessory, white RAL 9016, trimless detail for a seamless finish, diffuser: opal, ideal for creating corners, squares or U-shape continuous line frameworks, suitable for use on Mini Continuum II. Supplied with electrical connection.

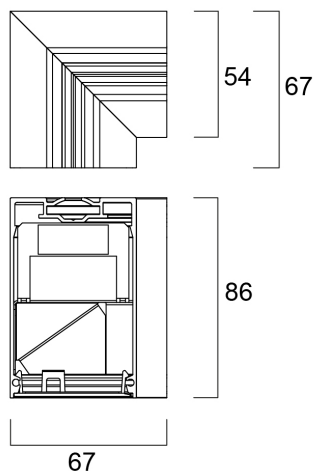
Product Overview

Product name	MC2 90° HORIZ-CORNER EL WHT OPAL
Technology	Accessory
General application	Education, Hospitality, Office, Retail
ETIM Class	EC002556
E-number FI	4170366
Colour Variation Initial (SDCM)	3
IK rating	IK02
Product EAN number	5025768931835
Warranty	5 years

Concord

MC2 90° HORIZ-CORNER EL WHT OPAL 2093183

Technical drawings



Data table

GENERAL DATA

Product name	MC2 90° HORIZ-CORNER EL WHT OPAL
Technology	Accessory
General application	Education, Hospitality, Office, Retail
ETIM Class	EC002556
E-number FI	4170366
Warranty	5 years

OPTICAL DATA

Colour Variation Initial (SDCM)	3
---------------------------------	---

ELECTRICAL DATA

Primary Supply/Product voltage - min (V)	220
Primary Supply/Product voltage - max (V)	240
Control gear required	No

Concord

MC2 90° HORIZ-CORNER EL WHT OPAL
2093183

PHYSICAL DATA

IK rating	IK02
Nominal Product Length (mm)	67
Nominal Product Width (mm)	54
Weight (kg)	0.406

PACKAGING

Product EAN number	5025768931835
Packaging single length / height (cm)	15.5
Packaging single width (cm)	17.5
Packaging single depth (cm)	18.0
DUN14 (outer)	05025768931835
Units per outer package	1
Packaging outer length / height (cm)	15.5
Packaging outer width (cm)	17.5
Packaging outer depth (cm)	18.0

SAFETY DATA

Special purpose lamp	No
Dry applications use only	No
Suitable for household illumination	No