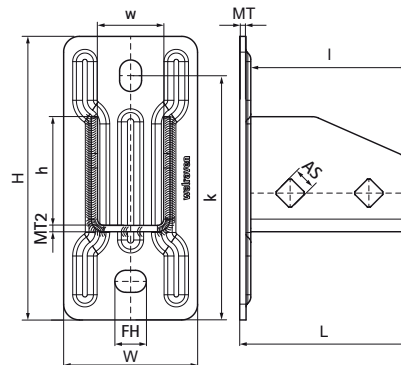


Walraven RapidStrut® Base Plate G2 (zp)

(H1211)

base foot to connect fixing rails



Features & benefits

- flexible base plate for Walraven RapidStrut® rails
- suitable for all Walraven RapidStrut® rail up to 82mm height
- open side of rails 41x41 can be turned to all sides
- at high loads we advise to install with throughbolts
- material: steel
- zinc plated
- tested for fire safety according to EN 1366-1



| Product Number | VVS Number | For Rail Type | Total Height | Total Width | Total Length | Width | Height | Length | Heart To Heart Distance | Anchoring Slot | Fixing Hole | Material Thickness | Material Thickness 2 | Maximum Allowed Load Faz |
|------------------|------------|-----------------------------------|--------------|-------------|--------------|-------|--------|--------|-------------------------|----------------|-------------|--------------------|----------------------|--------------------------|
| Reference letter | | | H | W | L | w | h | I | k | AS | FH | MT | MT2 | Fa,z |
| Unit description | | | mm | mm | mm | mm | mm | mm | mm | mm | mm | mm | mm | N |
| 66583804 | 018041189 | 41x21, 41x41, 41x51, 41x62, 41x82 | 180 | 85 | 107 | 42 | 69 | 100 | 130.5 | 20x14 | 13.8 | 4.00 | 4 | 3,636 |