

**Product data**

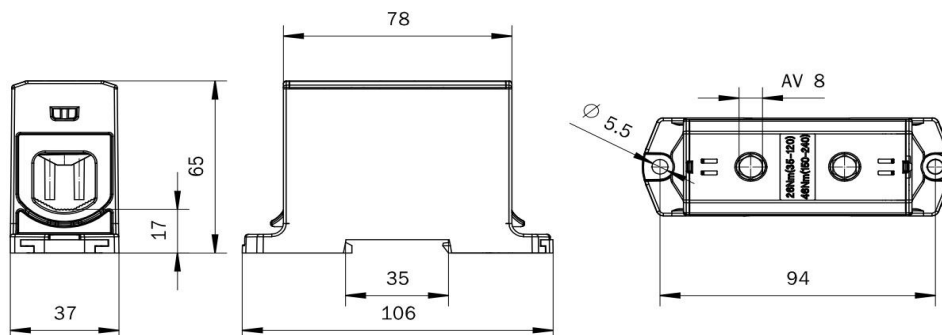
|              |  |          |                |            |                      |
|--------------|--|----------|----------------|------------|----------------------|
| Product code | <b>VC05-0034</b>                                   | STK-code | <b>1914130</b> | EAN-code   | <b>6410019141306</b> |
| Product name | OTL-connector 1xAl/Cu 35-240mm <sup>2</sup> (Grey) |          |                | ETIM class | <b>EC000897</b>      |
| Wires        | 1xAl/Cu 35-240 mm <sup>2</sup>                     |          |                |            |                      |

**Technical data**

|                               |  |            |    |
|-------------------------------|--|------------|----|
| Nominal current (IEC)         | Cu   | <b>425</b> | A  |
|                               | Al   | <b>380</b> | A  |
| Nominal voltage (IEC)         | <b>1000 V AC / 1500 V DC</b>   |            |    |
| Max. Current (US)             | Cu   | <b>380</b> | A  |
|                               | Al   | <b>310</b> | A  |
| Max. Voltage (US)             | <b>1000</b> V  |            |    |
| Number of poles               | <b>1</b> pcs   |            |    |
| Max. Cross section            | <b>240</b> mm <sup>2</sup>   |            |    |
| Tightening torque             | -  |            |    |
|                               | 35-120 mm <sup>2</sup> (250 kcmil-2 AWG)   | <b>26</b>  | Nm |
|                               | 150-240 mm <sup>2</sup> (500-300 kcmil)  | <b>46</b>  | Nm |
| Min. installation temperature | <b>+5</b> °C   |            |    |
| Operating temperature         | <b>-25...+80</b> °C  |            |    |
| Weight                        | <b>195</b> g   |            |    |
| IP-protection                 | <b>IP20</b>  |            |    |
| Standards                     | <b>EN 61238-1:2003; EN 60947-7-(1-2):2009; UL1059 &amp; CSA C22.2 No. 158-10</b> |            |    |
| Color / Material              | <b>Grey RAL 7035/ PA66-V0</b>  |            |    |
| Mounting / Connection         | <b>DIN-rail and screw (M5) mounting</b>  |            |    |


**Description**

OTL-connectors are designed for connecting and branching aluminium and copper conductors. The body is made of tin plated aluminium. Housing is made of UL94 V0 class polyamide. Made in Finland.

**Drawing**

**Package**

|             |            |               |            |             |             |
|-------------|------------|---------------|------------|-------------|-------------|
| Package     | <b>Box</b> | Pcs / Package | <b>24</b>  | Weight [kg] | <b>4,80</b> |
| Length [mm] | <b>330</b> | Width [mm]    | <b>180</b> | Height [mm] | <b>140</b>  |

**Ouneva Oy**

Teollisuustie 21  
FI-82730 Tuupovaara  
Finland

[www.ounevagroup.fi](http://www.ounevagroup.fi)
[www.ounevaproducts.fi](http://www.ounevaproducts.fi)