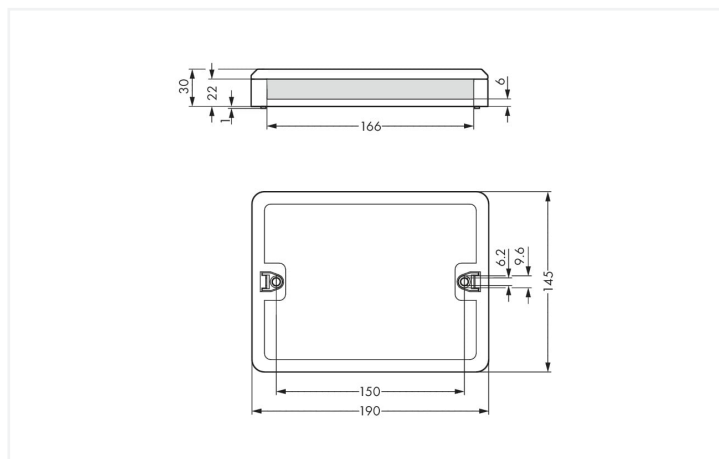
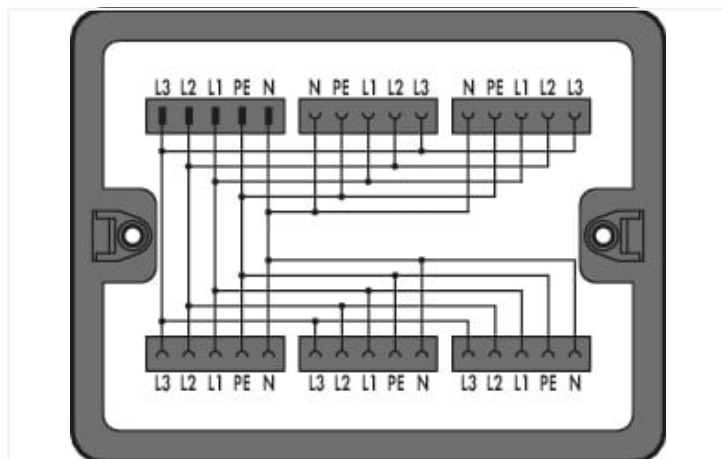


Data Sheet | Item Number: 899-631/187-000

Distribution box; Three-phase current (400 V); 1 input; 5 outputs; Cod. A; MIDI; black

<https://www.wago.com/899-631/187-000>



Color: ■ black

Dimensions in mm

Distribution box WINSTA® with protection type IP20

Realize the electrical installation without difficulty: The distribution box from the WINSTA® product line with protection type IP20 is the solution for quick, straightforward installation. With WAGO, you can enjoy the advantages of a large selection of accessories for the WINSTA® product line. The mechanical coding and color coding of the distribution box ensure error-free installation of the individual components – including protection against mismatching. The distribution box is protected against ingress by solid objects in accordance with protection type IP20 (When mated: IP2xC (These compact connectors are not designed for use in open, easily accessible areas!)). General mains applications for almost any domain of use can be implemented with WINSTA® distribution boxes with A coding. This distribution box can be used for a load of up to 25 A. Therefore, it can also be used for high power loads.

Push-in CAGE CLAMP® spring pressure connection technology – pluggable installation instead of laborious screw connections!

The WINSTA® Pluggable Connection System allows pluggable electrical installation. This significantly reduces the need for servicing and lowers costs. Now you can also cut installation expenses without compromising quality and safety: with protection type IP20 eliminates the need for servicing and prevents unnecessary downtime.

- effective protection against mismatching
- clear slot identification for easy commissioning
- products perfectly tailored to your requirements guarantee safe use
- with A coding for a great number of applications
- convenient installation and commissioning

Electrical data

Ratings per	IEC/EN 60664-1		
Overvoltage category	III	III	II
Pollution degree	3	2	2
Nominal voltage	400 V	-	-
Rated surge voltage	6 kV	-	-
Rated current	25 A	-	-

General information

Note on contact resistance	approx. 1 mΩ contact resistance approx. 0.25 mΩ contact transition (plug/ socket)
----------------------------	---

Physical data

Width	190 mm / 7.48 inches
Height	30 mm / 1.181 inches
Depth	145 mm / 5.709 inches

Mechanical data

Internal wiring	4 mm ²
Application	Three-Phase Current (400 V)
Coding	A
Mounting type	Wall, screw mount Installation on mounting plate
Protection type	IP20; When mated: IP2xC (These compact connectors are not designed for use in open, easily accessible areas!)

Plug-in connection

Mismating protection	Yes
Note on mismating protection	All <i>WINSTA</i> [®] components are 100% protected against mismating when: a.) plugging different numbers of poles b.) plugging while rotated 180 c.) plugging while laterally staggered d.) plugging one pole
Locking of plug-in connection	Locking lever

Material data

Note (material data)	Information on material specifications can be found here
Color	black
Insulation material	Polyamide (PA66)
Flammability class per UL94	V0
Contact material	Copper or copper alloy; surface-treated
Contact plating	Tin
Fire load	8.145 MJ
Weight	393.7 g

Environmental requirements

Processing temperature	-5 ... +40 °C
Continuous operating temperature	-35 ... +85 °C
Note on continuous operating temperature	Insulating parts for temperatures ≤ 105 °C

Commercial data

eCl@ss 10.0	27-44-06-03
eCl@ss 9.0	27-44-06-03
ETIM 8.0	EC002567
ETIM 7.0	EC002567
PU (SPU)	1 pcs
Packaging type	Box
Country of origin	DE
GTIN	4055143293020
Customs tariff number	85366990990

Environmental Product Compliance

RoHS Compliance Status	Compliant, No Exemption
------------------------	-------------------------

Downloads

Environmental Product Compliance

Compliance Search	
Environmental Product Compliance 899-631/187-000	↓

Documentation

Bid Text			
899-631/187-000	19.02.2019	xml 3.30 KB	↓
899-631/187-000	11.03.2015	doc 25.50 KB	↓
ausschreiben.de 899-631/187-000			↓

1 Compatible Products

1.1 System counterpart

1.1.1 Cable assembly



Item No.: 771-9995/206-101
pre-assembled connecting cable; Eca; Plug/open-ended; 5-pole; Cod. A; H05VV-F 5G 1.5 mm²; 1 m; 1,50 mm²; black

Item No.: 771-9995/106-101
pre-assembled connecting cable; Eca; Socket/open-ended; 5-pole; Cod. A; H05VV-F 5G 1.5 mm²; 1 m; 1,50 mm²; black

Item No.: 771-9995/006-101
pre-assembled interconnecting cable; Eca; Socket/plug; 5-pole; Cod. A; H05VV-F 5G 1.5 mm²; 1 m; 1,50 mm²; black

1.1.2 Female connector/socket



Item No.: 770-205
Socket; 5-pole; Cod. A; 4,00 mm²; black

Item No.: 770-405
Socket; 5-pole; Cod. A; 4,00 mm²; black

Item No.: 770-105
Socket; with strain relief housing; 5-pole; Cod. A; 4,00 mm²; black

Item No.: 770-305
Socket; with strain relief housing; 5-pole; Cod. A; 4,00 mm²; black

1.1.3 Male connector/plug



Item No.: 770-215
Plug; 5-pole; Cod. A; 4,00 mm²; black

Item No.: 770-415
Plug; 5-pole; Cod. A; 4,00 mm²; black

Item No.: 770-115
Plug; with strain relief housing; 5-pole; Cod. A; 4,00 mm²; black

Item No.: 770-315
Plug; with strain relief housing; 5-pole; Cod. A; 4,00 mm²; black

1.2 Optional Accessories

1.2.1 Installation

1.2.1.1 Mounting accessories



Item No.: [899-680](#)

Mounting plate; for distribution boxes; gray

Installation Notes

Installation

