

**Product data**

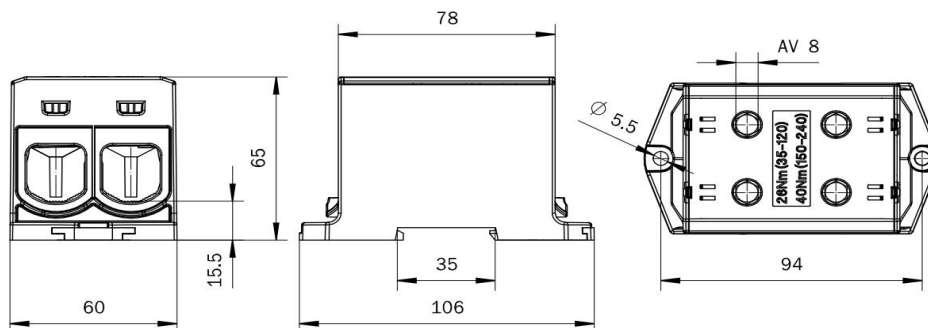
Product code	<b>VC05-0038</b>	STK-code	<b>1914134</b>	EAN-code	<b>6410019141344</b>
Product name	OTL-connector 2xAl/Cu 35-240mm <sup>2</sup> (Blue)			ETIM class	<b>EC000897</b>
Wires	2xAl/Cu 35-240 mm <sup>2</sup>				

**Technical data**

Nominal current (IEC)	Cu	<b>850</b>	A
	Al	<b>380</b>	A
Nominal voltage (IEC)	<b>1000 V AC / 1500 V DC</b>		
Max. Current (US)	Cu	<b>2x380</b>	A
	Al	<b>310</b>	A
Max. Voltage (US)	<b>1000</b> V		
Number of poles	<b>1</b> pcs		
Max. Cross section	<b>240</b> mm <sup>2</sup>		
Tightening torque			
	35-120 mm <sup>2</sup> (250 kcmil-2 AWG)	<b>26</b>	Nm
	150-240 mm <sup>2</sup> (500-300 kcmil)	<b>40</b>	Nm
	-		
	-		
Min. installation temperature	<b>+5</b> °C		
Operating temperature	<b>-25...+80</b> °C		
Weight	<b>340</b> g		
IP-protection	<b>IP20</b>		
Standards	<b>EN 61238-1:2003; EN 60947-7-(1-2):2009; UL1059 &amp; CSA C22.2 No. 158-10</b>		
Color / Material	<b>Blue RAL 5015/ PA66-V0</b>		
Mounting / Connection	<b>DIN-rail and screw (M5) mounting</b>		


**Description**

OTL-connectors are designed for connecting and branching aluminium and copper conductors. The body is made of tin plated aluminium. Housing is made of UL94 V0 class polyamide. Made in Finland.

**Drawing**

**Package**

Package	<b>Box</b>	Pcs / Package	<b>12</b>	Weight [kg]	<b>4,20</b>
Length [mm]	<b>225</b>	Width [mm]	<b>190</b>	Height [mm]	<b>145</b>

**Ouneva Oy**

Teollisuustie 21  
FI-82730 Tuupovaara  
Finland

[www.ounevagroup.fi](http://www.ounevagroup.fi)
[www.ounevaproducts.fi](http://www.ounevaproducts.fi)