

Product data

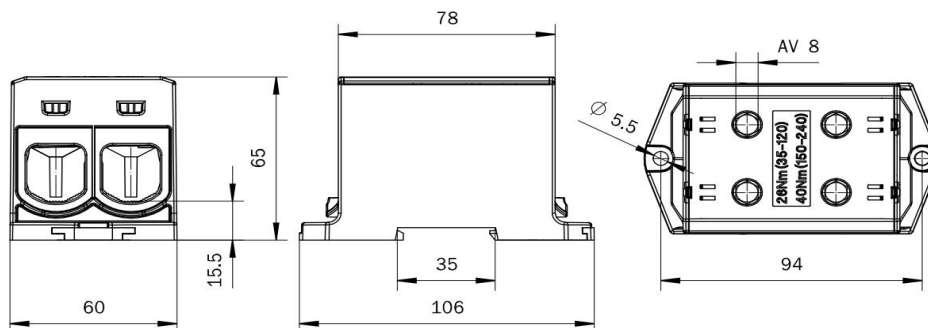
Product code	VC05-0039	STK-code	1914135	EAN-code	6410019141351
Product name	OTL-connector 2xAl/Cu 35-240mm ² (Yellow/Green)			ETIM class	EC000897
Wires	2xAl/Cu 35-240 mm ²				

Technical data

Nominal current (IEC)	Cu	850	A
	Al	380	A
Nominal voltage (IEC)	1000 V AC / 1500 V DC		
Max. Current (US)	Cu	2x380	A
	Al	310	A
Max. Voltage (US)	1000 V		
Number of poles	1 pcs		
Max. Cross section	240 mm ²		
Tightening torque			
	35-120 mm ² (250 kcmil-2 AWG)	26	Nm
	150-240 mm ² (500-300 kcmil)	40	Nm
	-		
	-		
Min. installation temperature	+5 °C		
Operating temperature	-25...+80 °C		
Weight	340 g		
IP-protection	IP20		
Standards	EN 61238-1:2003; EN 60947-7-(1-2):2009; UL1059 & CSA C22.2 No. 158-10		
Color / Material	Green RAL 6018, Yellow RAL 1016/ PA66-V0		
Mounting / Connection	DIN-rail and screw (M5) mounting		


Description

OTL-connectors are designed for connecting and branching aluminium and copper conductors. The body is made of tin plated aluminium. Housing is made of UL94 V0 class polyamide. Made in Finland.

Drawing

Package

Package	Box	Pcs / Package	12	Weight [kg]	4,20
Length [mm]	225	Width [mm]	190	Height [mm]	145

Ouneva Oy

Teollisuustie 21
FI-82730 Tuupovaara
Finland

www.ounevagroup.fi

www.ounevaproducts.fi