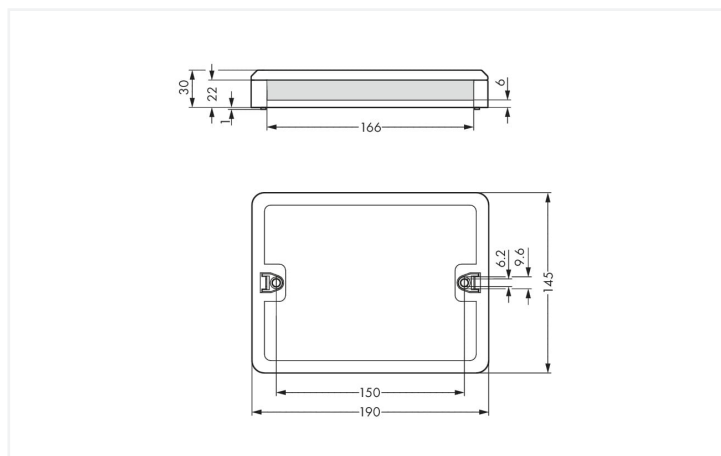
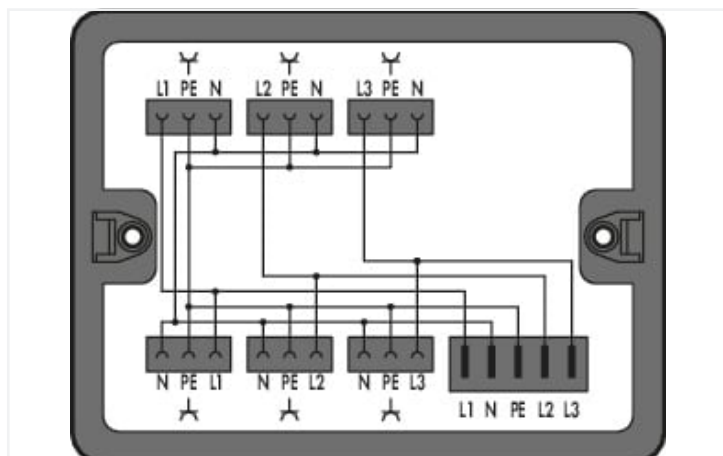


# Data Sheet | Item Number: 899-631/149-000

Distribution box; Three-phase to single-phase current (400 V/230 V); 1 input; 6 outputs; Cod. A; MIDI, MAXI; black

<https://www.wago.com/899-631/149-000>



Color: ■ black

Dimensions in mm

## Distribution box WINSTA® A coding

Realize the energy supply with ease: The distribution box from the WINSTA® product line with protection type IP20 is the product of your choice for error-free electrical installation. An extensive range of accessories rounds out the WINSTA® product line from WAGO. For greater security in electrical installations, the distribution box is equipped with mechanical protection against mismatching. The distribution box is protected in accordance with protection type IP20 (When mated: IP2xC (These compact connectors are not designed for use in open, easily accessible areas!)). This means that users' fingers will never come into contact with live elements. General mains applications for almost any domain of use can be realised with WINSTA® distribution boxes with A coding. This distribution box can be used for a load of up to 25 A. As a result, it can also be used for high power loads.

WINSTA® solutions for your electrical installation – protected against mismatching and maintenance-free

WINSTA® is the pluggable connection system that is perfectly tailored to the strict requirements of electrical installation. It offers error-free installation of cables and components, quickly and reliably. Take advantage of the pluggable version of our maintenance-free spring pressure connection technology too! Plan your installation with with protection type IP20 from WAGO.

- protection against mismatching eliminates errors
- intuitive distribution box marking
- products perfectly tailored to your requirements guarantee safe use
- with A coding for use in a large number of general mains applications
- convenient installation and commissioning

## Electrical data

Ratings per	IEC/EN 60664-1		
Overvoltage category	III	III	II
Pollution degree	3	2	2
Nominal voltage	400 V	-	-
Rated surge voltage	6 kV	-	-
Rated current	25 A	-	-

Ratings per IEC/EN 2	
Rated voltage (III/3) 2	250 V
Rated surge voltage (III/3) 2	4 kV

## General information

Note on contact resistance	approx. 1 mΩ contact resistance approx. 0.25 mΩ contact transition (plug/ socket)
----------------------------	--

### Physical data

Width	190 mm / 7.48 inches
Height	30 mm / 1.181 inches
Depth	145 mm / 5.709 inches

### Mechanical data

Internal wiring	4 mm <sup>2</sup>
Application	Three-Phase to Single-Phase Current (400 V/230 V)
Coding	A
Mounting type	Wall, screw mount Installation on mounting plate
Protection type	IP20; When mated: IP2xC (These compact connectors are not designed for use in open, easily accessible areas!)

### Plug-in connection

Mismatching protection	Yes
Note on mismatching protection	All <i>WINSTA</i> <sup>®</sup> components are 100% protected against mismatching when: a.) plugging different numbers of poles b.) plugging while rotated 180 c.) plugging while laterally staggered d.) plugging one pole
Locking of plug-in connection	Locking lever

### Material data

Note (material data)	<a href="https://www.wago.com/us/material-specifications">Information on material specifications can be found here</a>
Color	black
Insulation material	Polyamide (PA66)
Flammability class per UL94	V0
Contact material	Copper or copper alloy; surface-treated
Contact plating	Tin
Fire load	17.04 MJ
Weight	440 g

### Environmental requirements

Processing temperature	-5 ... +40 °C
Continuous operating temperature	-35 ... +85 °C
Note on continuous operating temperature	Insulating parts for temperatures ≤ 105 °C

### Commercial data

eCl@ss 10.0	27-44-06-03
eCl@ss 9.0	27-44-06-03
ETIM 8.0	EC002567
ETIM 7.0	EC002567
PU (SPU)	1 pcs
Packaging type	Box
Country of origin	DE
GTIN	4055143295550
Customs tariff number	85366990990

Environmental Product Compliance	
RoHS Compliance Status	Compliant, No Exemption

## Downloads

### Environmental Product Compliance

Compliance Search	
Environmental Product Compliance 899-631/149-000	↓

## Documentation

Bid Text			
899-631/149-000	19.02.2019	xml 3.69 KB	↓
899-631/149-000	11.03.2015	doc 26.50 KB	↓

## 1 Compatible Products

### 1.1 System counterpart

#### 1.1.1 Cable assembly



**Item No.: 771-9993/206-101**  
pre-assembled connecting cable; Eca; Plug/open-ended; 3-pole; Cod. A; H05VV-F 3G 1.5 mm<sup>2</sup>; 1 m; 1,50 mm<sup>2</sup>; black

**Item No.: 771-9993/006-101**  
pre-assembled interconnecting cable; Eca; Socket/plug; 3-pole; Cod. A; H05VV-F 3G 1.5 mm<sup>2</sup>; 1 m; 1,50 mm<sup>2</sup>; black

#### 1.1.2 Female connector/socket



**Item No.: 831-3105/1019-004**  
Socket; with strain relief housing; 5-pole; Cod. A; 6,00 mm<sup>2</sup>; black

#### 1.1.3 Male connector/plug



**Item No.: 770-213**  
Plug; 3-pole; Cod. A; 4,00 mm<sup>2</sup>; black



**Item No.: 770-113**  
Plug; with strain relief housing; 3-pole; Cod. A; 4,00 mm<sup>2</sup>; black



**Item No.: 770-213/035-000**  
Plug; with strain relief housing; 3-pole; Cod. A; 4,00 mm<sup>2</sup>; black

## 1.2 Optional Accessories

### 1.2.1 Installation

#### 1.2.1.1 Mounting accessories



Item No.: [899-680](#)

Mounting plate; for distribution boxes; gray

## Installation Notes

### Installation

