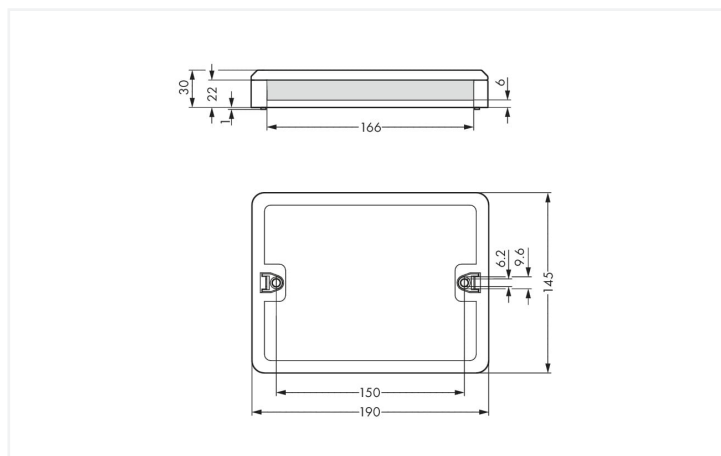
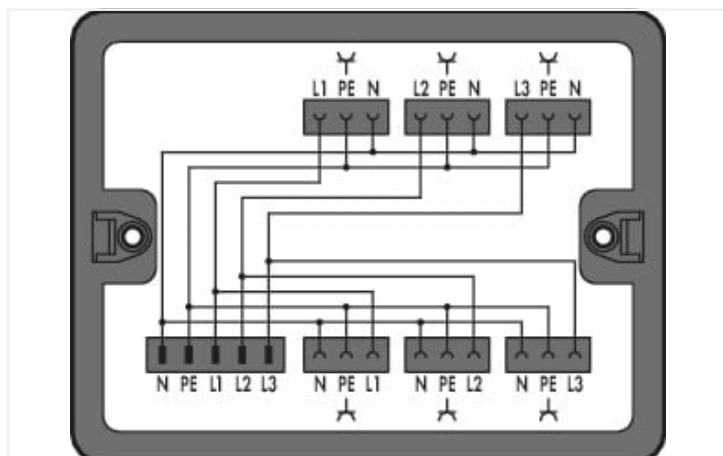


Data Sheet | Item Number: 899-631/105-000

Distribution box; Three-phase to single-phase current (400 V/230 V); 1 input; 6 outputs; Cod. A; MIDI; black

<https://www.wago.com/899-631/105-000>



Color: ■ black

Dimensions in mm

Distribution box *WINSTA*® rated current 25 A

Realize your installation project easily and quickly: The distribution box from the *WINSTA*® product line with A coding is the solution for error-free electrical installation. You can rely on the quality of *WINSTA*® components from WAGO for your electrical installation accessories too. The mechanical coding and color coding of the distribution box ensure error-free installation of the individual components – including protection against mismatching. The distribution box is protected in accordance with protection type IP20 (When mated: IP2xC (These compact connectors are not designed for use in open, easily accessible areas!)). This means that users' fingers will never come into contact with energised contact elements. General mains applications for almost any domain of use can be realised with *WINSTA*® distribution boxes with A coding. This distribution box can be used for electrical currents up to 25 A. Thus the product is especially suitable for high power loads.

WINSTA® solutions for your electrical installation – protected against mismatching and maintenance-free

The *WINSTA*® Pluggable Connection System allows pluggable electrical installation. This significantly reduces the need for servicing and lowers costs. Now you can also lower installation costs without compromising quality and safety: with protection against mismatching reduces the need for servicing and prevents unnecessary downtime.

- distribution boxes with protection against mismatching
- intuitive marking
- saves time, since no wiring is required at the construction site
- with A coding for a large number of uses
- rapid, structured electrical installation

Electrical data

Ratings per	IEC/EN 60664-1		
Overvoltage category	III	III	II
Pollution degree	3	2	2
Nominal voltage	400 V	-	-
Rated surge voltage	6 kV	-	-
Rated current	25 A	-	-

Ratings per IEC/EN 2	
Rated voltage (III/3) 2	250 V
Rated surge voltage (III/3) 2	4 kV

General information

Note on contact resistance	approx. 1 mΩ contact resistance approx. 0.25 mΩ contact transition (plug/ socket)
----------------------------	---

Physical data

Width	190 mm / 7.48 inches
Height	30 mm / 1.181 inches
Depth	145 mm / 5.709 inches

Mechanical data

Internal wiring	4 mm ²
Application	Three-Phase to Single-Phase Current (400 V/230 V)
Coding	A
Mounting type	Wall, screw mount Installation on mounting plate
Protection type	IP20; When mated: IP2xC (These compact connectors are not designed for use in open, easily accessible areas!)

Plug-in connection

Mismating protection	Yes
Note on mismating protection	All <i>WINSTA</i> [®] components are 100% protected against mismating when: a.) plugging different numbers of poles b.) plugging while rotated 180 c.) plugging while laterally staggered d.) plugging one pole
Locking of plug-in connection	Locking lever

Material data

Note (material data)	Information on material specifications can be found here
Color	black
Insulation material	Polyamide (PA66)
Flammability class per UL94	V0
Contact material	Copper or copper alloy; surface-treated
Contact plating	Tin
Fire load	28.789 MJ
Weight	440 g

Environmental requirements

Processing temperature	-5 ... +40 °C
Continuous operating temperature	-35 ... +85 °C
Note on continuous operating temperature	Insulating parts for temperatures ≤ 105 °C

Commercial data

eCl@ss 10.0	27-44-06-03
eCl@ss 9.0	27-44-06-03
ETIM 8.0	EC002567
ETIM 7.0	EC002567
PU (SPU)	1 pcs
Packaging type	Box
Country of origin	DE
GTIN	4055143290142
Customs tariff number	85366990990

Environmental Product Compliance

RoHS Compliance Status	Compliant, No Exemption
------------------------	-------------------------

Downloads

Environmental Product Compliance

Compliance Search	
Environmental Product Compliance 899-631/105-000	↓

Documentation

Bid Text			
899-631/105-000	19.02.2019	xml 3.50 KB	↓
899-631/105-000	23.02.2015	doc 26.00 KB	↓

1 Compatible Products

1.1 System counterpart

1.1.1 Cable assembly

<p>Item No.: 771-9993/206-101 pre-assembled connecting cable; Eca; Plug/open-ended; 3-pole; Cod. A; H05VV-F 3G 1.5 mm²; 1 m; 1,50 mm²; black</p>	<p>Item No.: 771-9995/106-101 pre-assembled connecting cable; Eca; Socket/open-ended; 5-pole; Cod. A; H05VV-F 5G 1.5 mm²; 1 m; 1,50 mm²; black</p>	<p>Item No.: 771-9993/006-101 pre-assembled interconnecting cable; Eca; Socket/plug; 3-pole; Cod. A; H05VV-F 3G 1.5 mm²; 1 m; 1,50 mm²; black</p>	<p>Item No.: 771-9995/006-101 pre-assembled interconnecting cable; Eca; Socket/plug; 5-pole; Cod. A; H05VV-F 5G 1.5 mm²; 1 m; 1,50 mm²; black</p>

1.1.2 Female connector/socket

<p>Item No.: 770-205 Socket; 5-pole; Cod. A; 4,00 mm²; black</p>	<p>Item No.: 770-405 Socket; 5-pole; Cod. A; 4,00 mm²; black</p>	<p>Item No.: 770-105 Socket; with strain relief housing; 5-pole; Cod. A; 4,00 mm²; black</p>	<p>Item No.: 770-305 Socket; with strain relief housing; 5-pole; Cod. A; 4,00 mm²; black</p>

1.1.3 Male connector/plug

<p>Item No.: 770-213 Plug; 3-pole; Cod. A; 4,00 mm²; black</p>	<p>Item No.: 770-113 Plug; with strain relief housing; 3-pole; Cod. A; 4,00 mm²; black</p>	<p>Item No.: 770-213/035-000 Plug; with strain relief housing; 3-pole; Cod. A; 4,00 mm²; black</p>

1.2 Optional Accessories

1.2.1 Installation

1.2.1.1 Mounting accessories



Item No.: [899-680](#)

Mounting plate; for distribution boxes; gray

Installation Notes

Installation

