

Product data

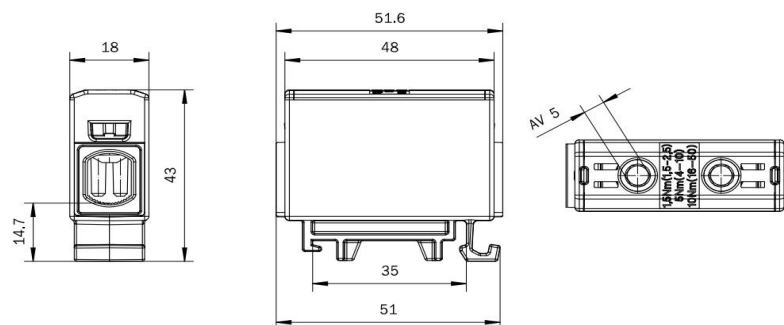
| | | | | | |
|--------------|--|----------|----------------|------------|----------------------|
| Product code | VC05-0047 | STK-code | 1914105 | EAN-code | 6410019141054 |
| Product name | OTL-connector 1xAl/Cu 1,5-50mm ² (Yellow/Green) | | | ETIM class | EC000897 |
| Wires | 1xAl/Cu 1,5-50 mm ² | | | | |

Technical data

| | | | |
|-------------------------------|--|------------|----|
| Nominal current (IEC) | Cu | 160 | A |
| | Al | 145 | A |
| Nominal voltage (IEC) | 1000 V AC / 1500 V DC | | |
| Max. Current (US) | Cu | 150 | A |
| | Al | 120 | A |
| Max. Voltage (US) | 1000 V | | |
| Number of poles | 1 pcs | | |
| Max. Cross section | 50 mm ² | | |
| Tightening torque | - | | |
| | 1,5-2,5 mm ² (14-16 AWG) | 1,5 | Nm |
| | 4-10 mm ² (8-12 AWG) | 5 | Nm |
| | 16-50 mm ² (1/0-6 AWG) | 10 | Nm |
| Min. installation temperature | +5 °C | | |
| Operating temperature | -25...+80 °C | | |
| Weight | 30 g | | |
| IP-protection | IP20 | | |
| Standards | EN 61238-1:2003; EN 60947-7-(1-2):2009; UL1059 & CSA C22.2 No. 158-10 | | |
| Color / Material | Green RAL 6018, Yellow RAL 1016/ PA66-V0 | | |
| Mounting / Connection | DIN-rail mounting | | |


Description

OTL-connectors are designed for connecting and branching aluminium and copper conductors. The body is made of tin plated aluminium. Housing is made of UL94 V0 class polyamide. Made in Finland.

Drawing

Package

| | | | | | |
|-------------|------------|---------------|------------|-------------|-------------|
| Package | Box | Pcs / Package | 48 | Weight [kg] | 1,50 |
| Length [mm] | 165 | Width [mm] | 110 | Height [mm] | 150 |

Ouneva Oy

Teollisuustie 21
FI-82730 Tuupovaara
Finland

www.ounevagroup.fi

www.ounevaproducts.fi